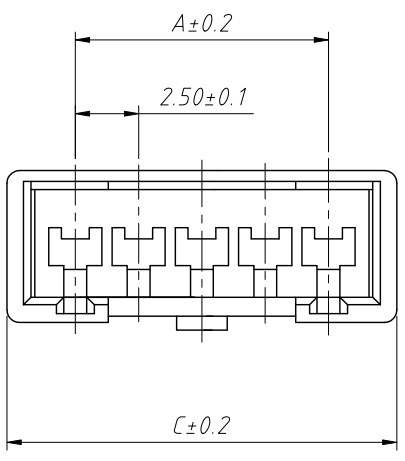


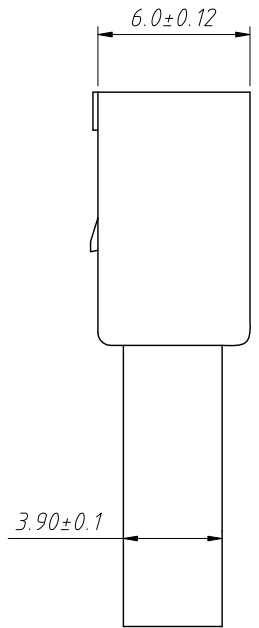
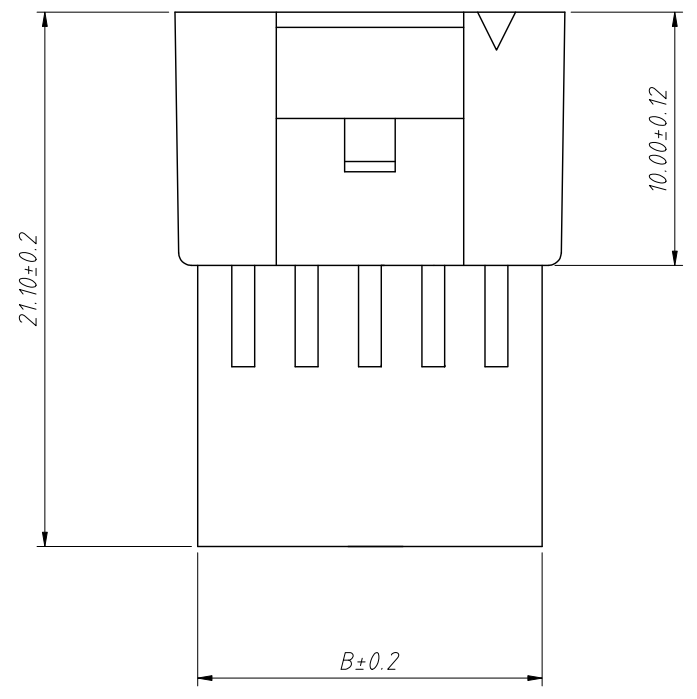
1
RoHS Compliance



Material:
Housing:PA66,UL94V-2

Electrical Characteristics:
Rated Current:3.0AMP
Voltage rating:250V AC,DC
Temperature range:-25°C ~ + 85°C
Insulator Resistance:1000MΩ Min
Withstanding Voltage:1000V AC/minute
Contact Resistance:30mΩ Max

Pin	Dimensions(mm)		
	A	B	C
02	2.50	6.10	7.90
03	5.00	8.60	10.40
04	7.50	11.10	12.90
05	10.00	13.60	15.40
06	12.50	16.10	17.90
07	15.00	18.60	20.40
08	17.50	21.10	22.90
09	20.00	23.60	25.40
10	22.50	26.10	27.90
11	25.00	28.60	30.40
12	27.50	31.10	32.90
13	30.00	33.60	35.40
14	32.50	36.10	37.90
15	35.00	38.60	40.40

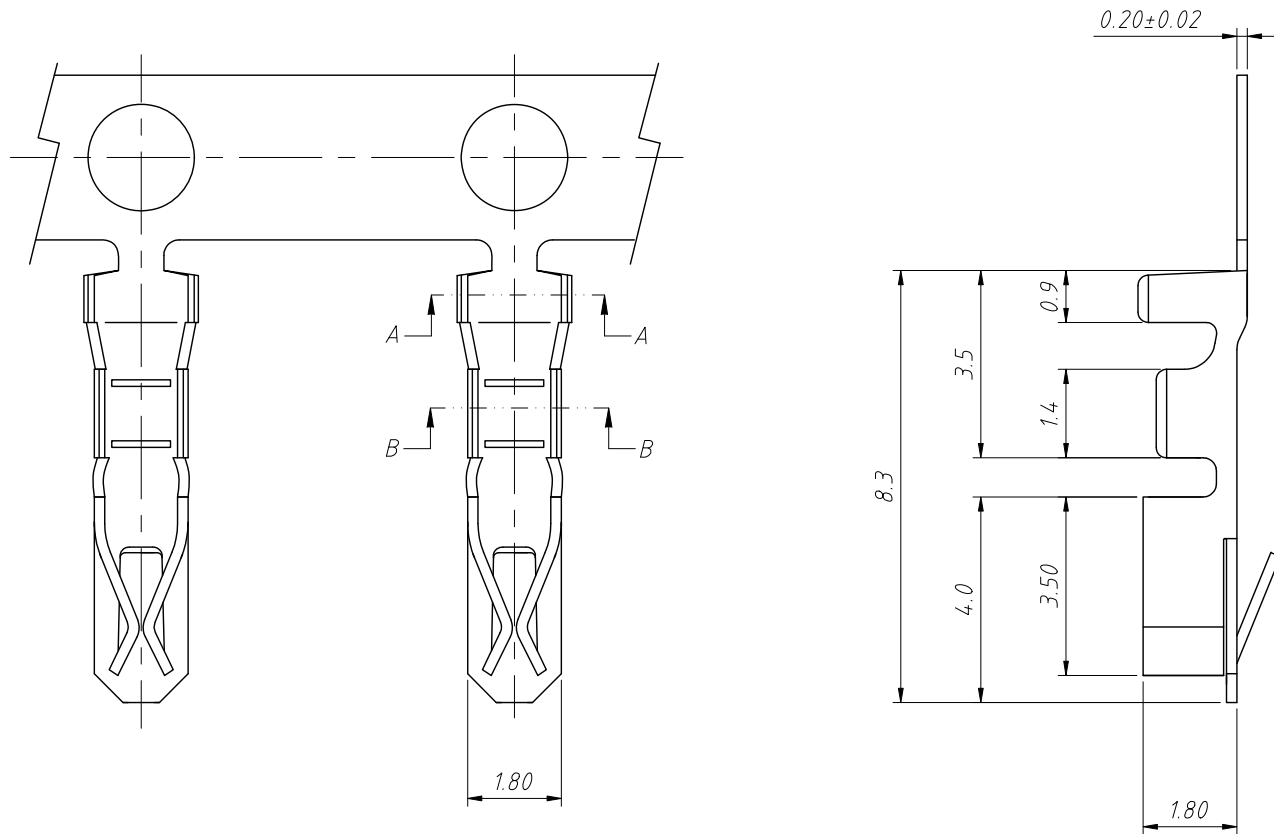


Order Information:
L-KLS1-XM3-2.50-XX-FH

L: RoHS
Pitch:2.50mm
XX-No.of 02 ~15 pins
Type: _____
MH-Male Housing
FH-Female Housing
MT-Male Terminal
FT-Female Terminal
S-Straight male pin

ANGLE TOLERANCE	PROJECTION	Description:	2.50mm Pitch Wire To Wire Connector	
±3°				
GENERAL TOLERANCE	UNITS	mm	KLS P/N:	L-KLS1-XM3-2.50-XX-FH
x.x ±0.30	SHEET SIZE	A4		
x.xx ±0.20	Draw:	Daniel	2021-01-11	NingBo KLS ELECTRONIC CO.,LTD.
x.xxx ±0.10	Check:	Daniel	2021-01-11	

1 RoHS Compliance

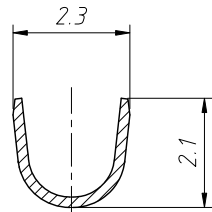


Material:
 Terminal: Phosphor Bronze
 Plating: Tin plated
 Applicable wires: AWG #22 ~ #28
 Insulation O.D: 1.6mm

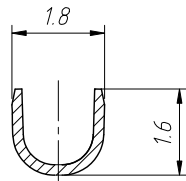
Electrical Characteristics:
 Rated Current: 3.0AMP
 Voltage rating: 250V AC, DC
 Temperature range: -25°C ~ +85°C
 Insulator Resistance: 1000MΩ Min
 Withstanding Voltage: 1000V AC/minute
 Contact Resistance: 30mΩ Max

Order Information:
 L-KLS1-XM3-2.50-FT

L: RoHS
 Pitch: 2.50mm
 Type:
 MH-Male Housing
 FH-Female Housing
 MT-Male Terminal
 FT-Female Terminal
 S-Straight male pin



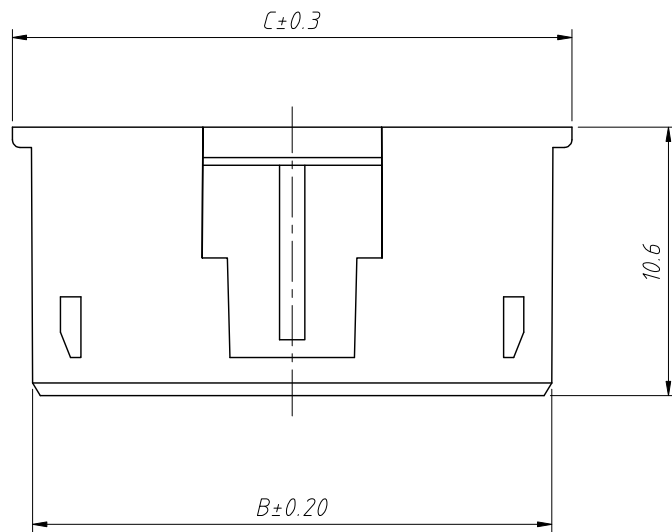
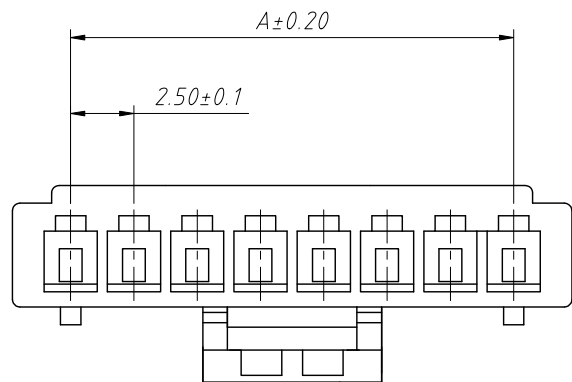
A-A



B-B

ANGLE TOLERANCE	PROJECTION	Description:	2.50mm Pitch SMH SMP Wire To Wire Connector
±3°			
GENERAL TOLERANCE	UNITS	mm	KLS P/N: L-KLS1-XM3-2.50-FT
x.x ±0.30	SHEET SIZE	A4	NingBo KLS ELECTRONIC CO.,LTD.
x.xx ±0.20	Draw:	Daniel 2021-01-11	
x.xxx ±0.10	Check:	Daniel 2021-01-11	

1
RoHS Compliance



Material:
Housing: PA66, UL 94V-2

Electrical Characteristics:
Rated Current: 3.0AMP
Voltage rating: 250V AC, DC
Temperature range: $-25^{\circ}\text{C} \sim +85^{\circ}\text{C}$
Insulator Resistance: $1000\text{M}\Omega$ Min
Withstanding Voltage: 1000V AC/minute
Contact Resistance: $30\text{m}\Omega$ Max

Pin	Dimensions(mm)		
	A	B	C
02	2.50	5.60	7.10
03	5.00	8.10	9.60
04	7.50	10.60	12.10
05	10.00	13.10	14.60
06	12.50	15.60	17.10
07	15.00	18.10	19.60
08	17.50	20.60	22.10
09	20.00	23.10	24.60
10	22.50	25.60	27.10
11	25.00	28.10	29.60
12	27.50	30.60	32.10
13	30.00	33.10	34.60
14	32.50	35.60	37.10
15	35.00	38.10	39.60

Order Information:

L-KLS1-XM3-2.50-XX-MH

L: RoHS

Pitch: 2.50mm

XX-No. of 02~15 pins

Type:

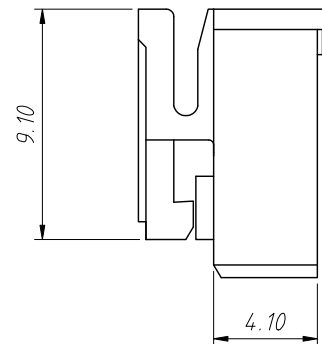
MH-Male Housing

FH-Female Housing

MT-Male Terminal

FT-Female Terminal

S-Straight male pin

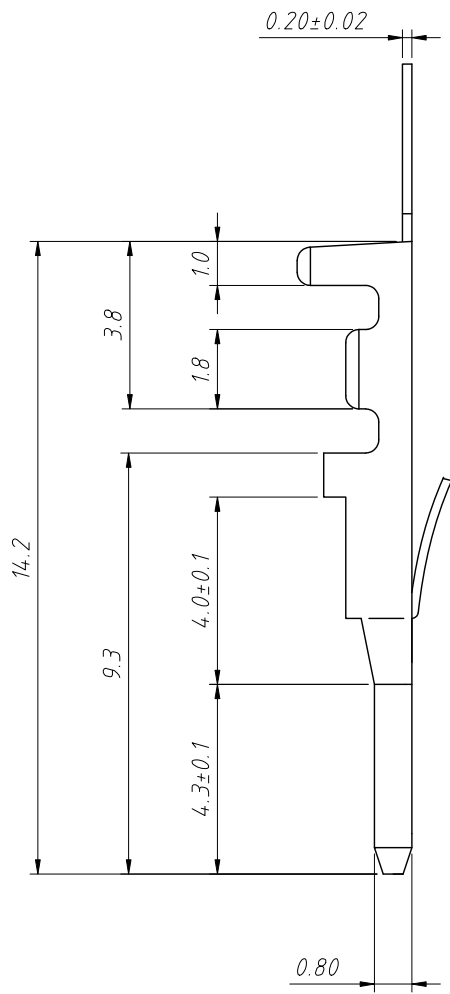
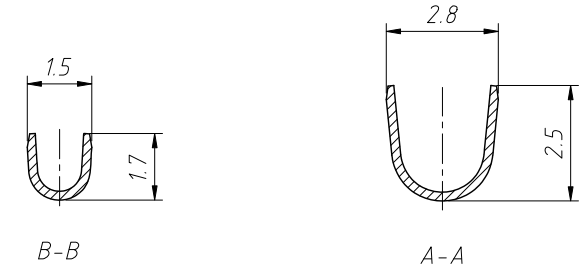
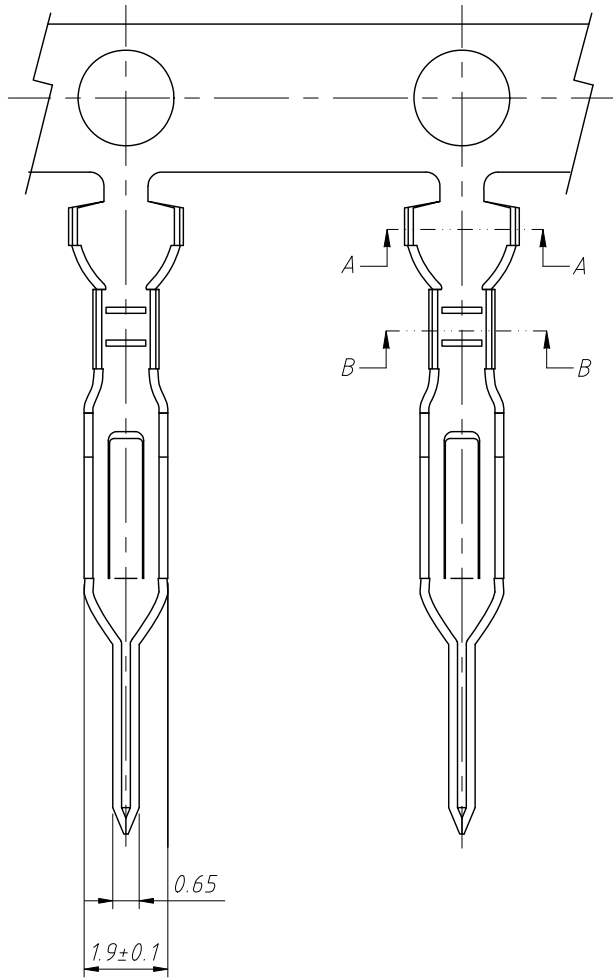


ANGLE TOLERANCE	PROJECTION	Description:
$\pm 3^{\circ}$		2.50mm Pitch Wire To Wire Connector
GENERAL TOLERANCE	UNITS	mm
x.x ± 0.30	SHEET SIZE	A4
x.xx ± 0.20	Draw:	Daniel 2021-01-11
x.xxx ± 0.10	Check:	Daniel 2021-01-11



NingBo KLS ELECTRONIC CO.,LTD.

1 RoHS Compliance



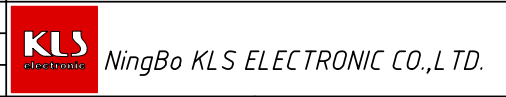
Material:
 Terminal: Phosphor Bronze
 Plating: Tin plated
 Applicable wires: AWG #22 ~ # 28
 Insulation O.D: 1.6mm

Electrical Characteristics:
 Rated Current: 3.0AMP
 Voltage rating: 250V AC, DC
 Temperature range: -25°C ~ + 85°C
 Insulator Resistance: 1000MΩ Min
 Withstanding Voltage: 1000V AC/minute
 Contact Resistance: 30mΩ Max

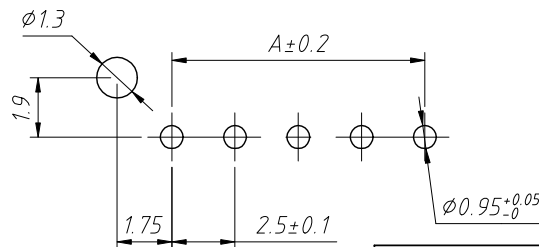
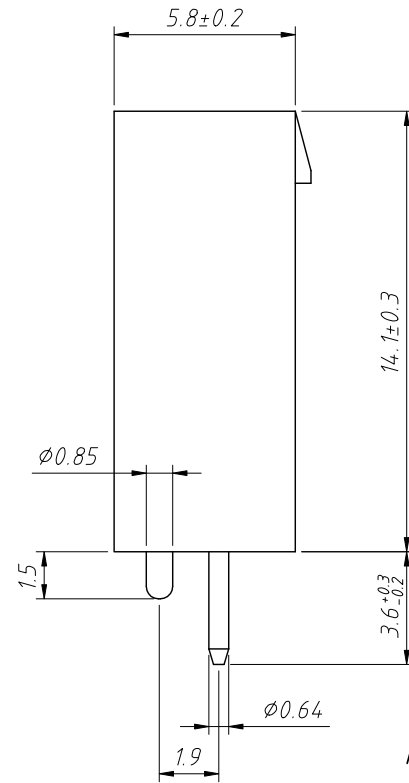
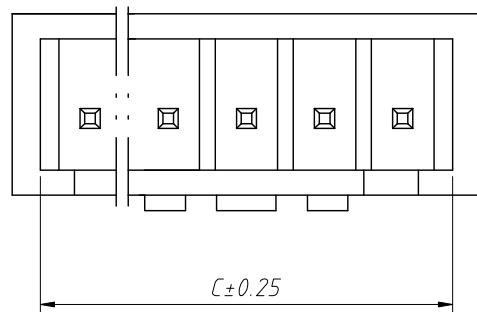
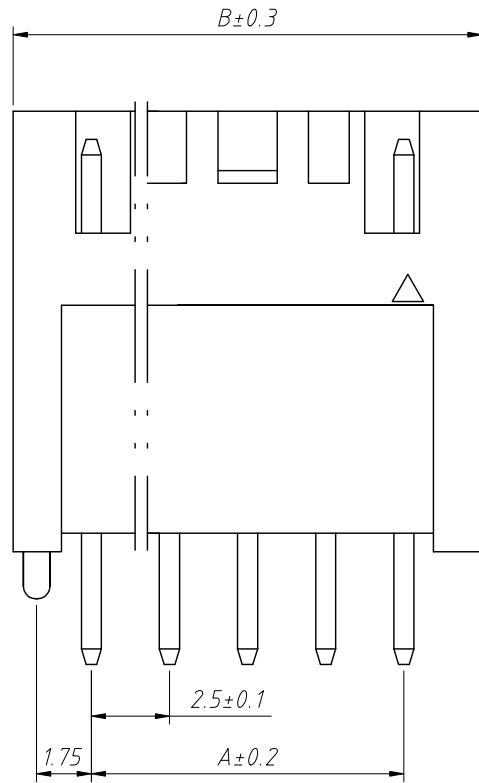
Order Information:
 L-KLS1-XM3-2.50-MT

L: RoHS
 Pitch: 2.50mm
 Type:
 MH-Male Housing
 FH-Female Housing
 MT-Male Terminal
 FT-Female Terminal
 S-Straight male pin

ANGLE TOLERANCE	PROJECTION	Description:	2.50mm Pitch SMH SMP Wire To Wire Connector
±3°			
GENERAL TOLERANCE	UNITS	mm	KLS P/N: L-KLS1-XM3-2.50-MT
x.x ±0.30	SHEET SIZE	A4	
x.xx ±0.20	Draw:	Daniel	2021-01-11
x.xxx ±0.10	Check:	Daniel	2021-01-11



RoHS Compliance



Pin	Dimensions(mm)		
	A	B	C
02	2.50	7.50	5.70
03	5.00	10.00	8.20
04	7.50	12.50	10.70
05	10.00	15.00	13.20
06	12.50	17.50	15.70
07	15.00	20.00	18.20
08	17.50	22.50	20.70
09	20.00	25.00	23.20
10	22.50	27.50	25.70
11	25.00	30.00	28.20
12	27.50	32.50	30.70
13	30.00	35.00	33.20
14	32.50	37.50	35.70
15	35.00	40.00	38.20

Material:

Housing:PA66,UL94V-0

Contact:Brass,Plated Tin

Electrical Characteristics:

Rated Current:3.0AMP

Voltage rating:250V AC,DC

Temperature range:-25°C ~ + 85°C

Insulator Resistance:1000MΩ Min

Withstanding Voltage:1000V AC/minute

Contact Resistance:10mΩ Max

After environmental testing:20mΩ Max

Order Information:

L-KLS1-XM3-2.50-XX-S

L: RoHS

Pitch:2.50mm

XX-No.of 02~15 pins

Type:

MH-Male Housing

FH-Female Housing

MT-Male Terminal

FT-Female Terminal

S-Straight male pin

ANGLE TOLERANCE	PROJECTION	Description:
±3°		2.50mm Pitch SMH SMP Wire To Wire Connector
GENERAL TOLERANCE	UNITS	mm
x.x ±0.30	SHEET SIZE	A4
x.xx ±0.20	Draw:	Daniel 2021-01-11
x.xxx ±0.10	Check:	Daniel 2021-01-11



NingBo KLS ELECTRONIC CO.,L.TD.