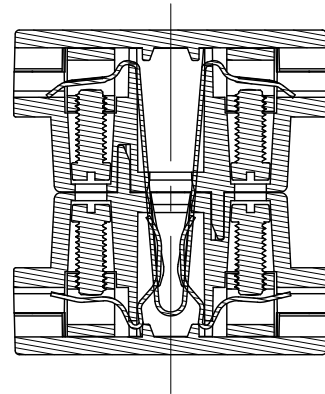
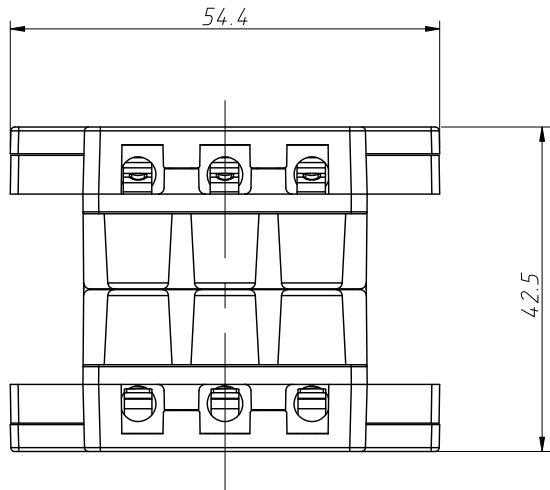
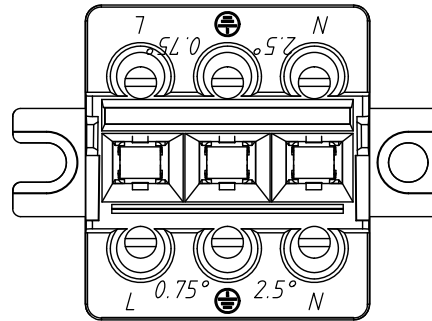
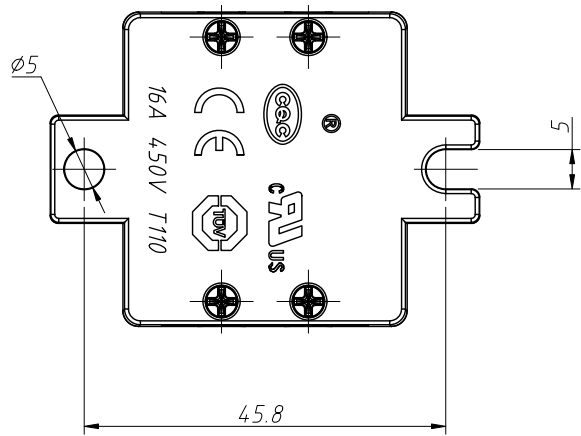
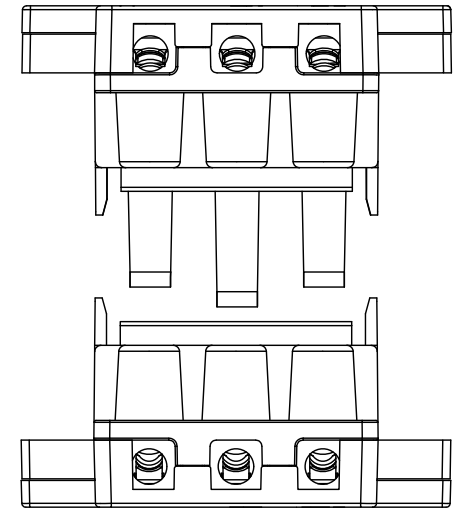


1
RoHS Compliance

6	7	8
REV	SYM	Revision Record
V0	KLS02090	New Version Release
		Appr. Song
		Date 2024-05-29



Material:
 Bottom: PA
 Cover: PA
 Pin: Phosphorous Copper, $\phi 0.45$
 Copper Pillar: Brass, $5.8 \times 5.8 \times 4.8$
 Screw: Iron, M4 $\times 9.0$,
 Cross Screw: Iron, M2.5



ANGLE TOLERANCE	PROJECTION	Description:	
$\pm 3^\circ$		Terminal Block Adapter	
GENERAL TOLERANCE	UNITS	mm	KLS P/N:
.x ± 0.30	SHEET SIZE	A4	L-KLS2-M29-B0
.xx ± 0.20	Draw:	Song	2024-05-29
.xxx ± 0.10	Check:	Daniel	2024-05-29

NingBo KLS ELECTRONIC CO.,L TD.