

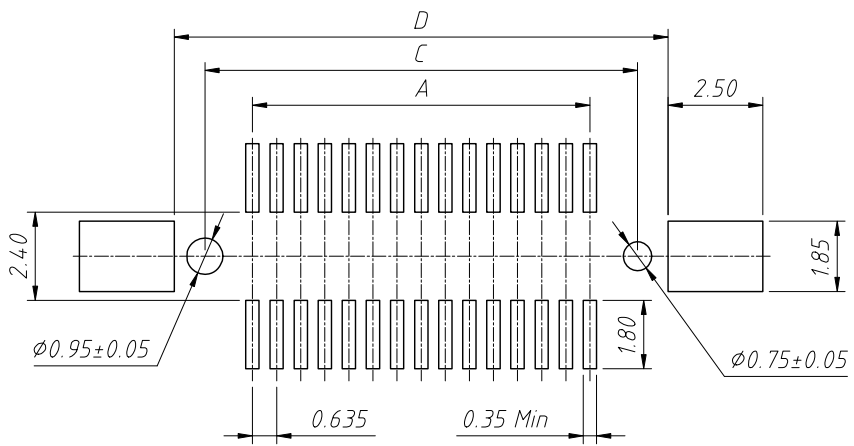
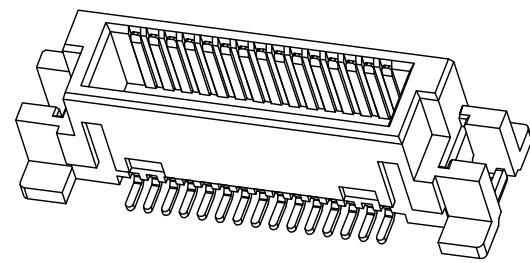
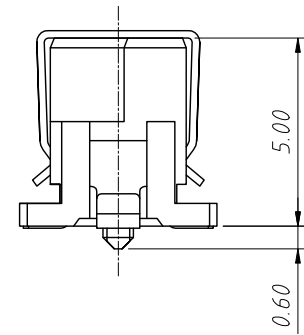
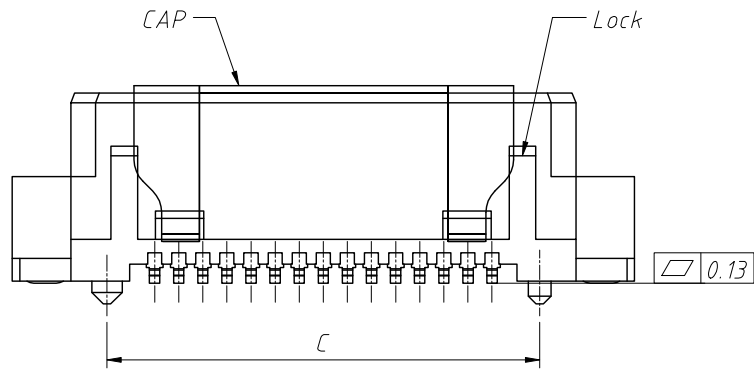
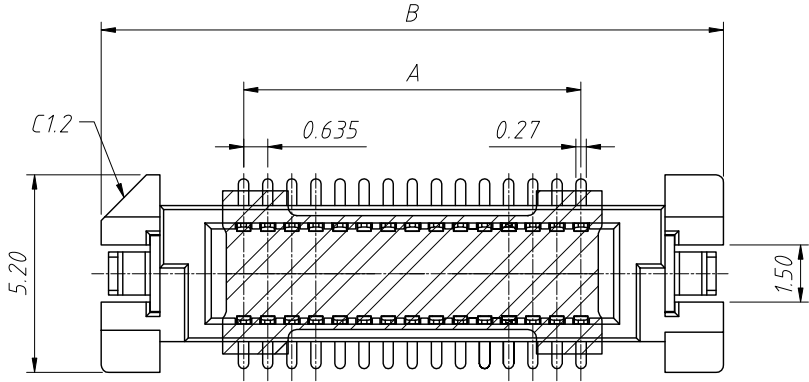
1 RoHS Compliance

Order Information:
L-KLS1-B01635-500 M XX-T3RB-GF1

REV	SYM	Revision Record	Appr.	Date
V0	KLS01629	New Version Release	Jenny	2024-07-10

L:RoHS
 Board To Board
 Pitch-0.635mm
 Height-5.00mm
 Type:M-Male
 XX-No. Of Contact
 T3=SMD With Post
 T=SMD Without Post,Packing:R=Reel
 Color:B-Black W-Natural
 Plating:
 GF1-1u "Half Gold Tin G1=1u"Gold
 GF10-10u" Half Gold Tin Sn=Sn Gold

Pin	A	B	C	D	Lock
20	5.715	13.22	8.22	9.32	With Lock
30	8.89	16.40	11.40	12.50	
40	12.065	19.57	14.57	15.67	
50	15.24	22.75	17.75	18.85	
60	18.415	25.92	20.92	22.02	
68	20.955	28.46	23.46	24.56	
70	21.59	29.10	24.10	25.20	Without Lock
80	24.765	32.27	27.27	28.37	
90	27.94	35.45	30.45	31.55	
100	31.115	38.62	33.62	34.72	
120	37.465	44.97	39.79	41.07	
140	43.815	51.32	46.32	47.42	
160	50.165	57.67	52.67	53.77	
180	56.515	64.02	59.02	60.12	
200	62.865	70.37	65.37	66.47	



Recommended PCB Layout General Tolerance ± 0.05

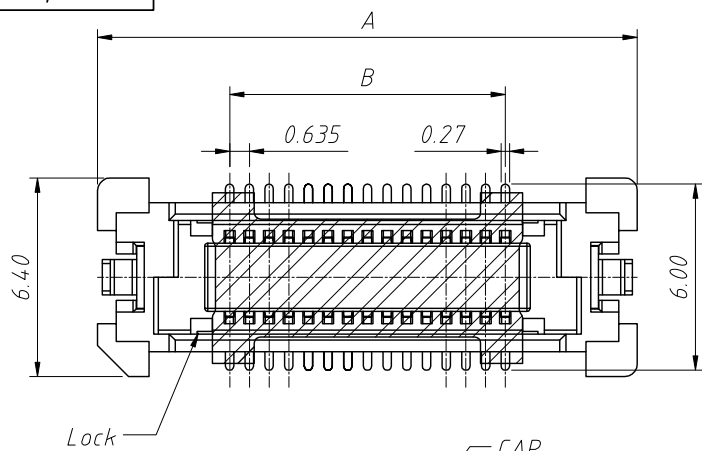
Material:
 Housing:LCP,UL 94V-0,Black
 Contact:Copper Alloy T=0.20
 CAP:SUS T=0.20
 Electroplating:
 Overall Nickel Plating 50u" Terminal,
 Gilt Contact Area 10u"
 Tin Plating 100u" SMT Area.
 Electrical:
 Current Rating:0.5A at AC 100V
 Withstanding Voltage:250V AC
 Contact Resistance:Before Test 40M Ω Max
 After Test:60M Ω Max
 Insulation Resistance:1000M Ω Min
 Operating Temperature:-55°C TO +105°C

ANGLE TOLERANCE	PROJECTION	Description:
$\pm 3^\circ$		0.635mm Board To Board Plug
GENERAL TOLERANCE	UNITS	mm
x.x ± 0.30	SHEET SIZE	A4
x.xx ± 0.20	Draw:	Jenny 2024-07-10
x.xxx ± 0.10	Check:	Daniel 2024-07-10
		KLS NingBo KLS ELECTRONIC CO.,L TD.



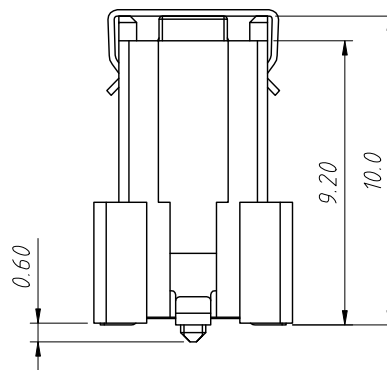
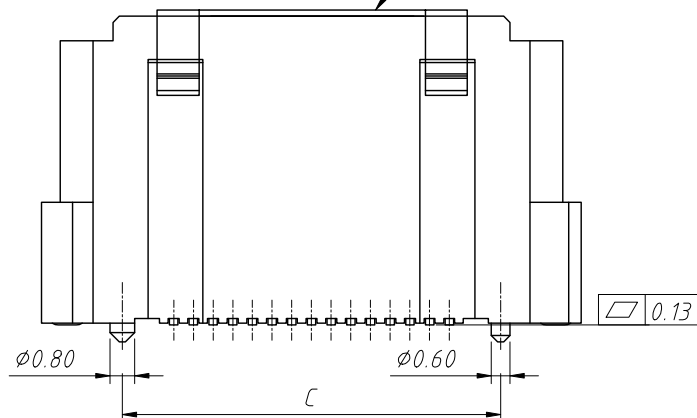
1 RoHS Compliance

REV	SYM	Revision Record	Appr.	Date
V0	KLS01629	New Version Release	Jenny	2024-07-10



Material:
 Housing:LCP,UL 94V-0,Black
 Contact:Copper Alloy T=0.20
 CAP:SUS T=0.20
 Overall Nickel Plating 50u" Terminal,
 Gilt Contact Area 10u",Tin Plating 100u" SMT Area.
 Electrical:
 Current Rating:0.5A at AC 100V
 Withstanding Voltage:250V AC
 Contact Resistance:Before Test 40MΩ Max;
 After Test:60MΩ Max
 Insulation Resistance:1000MΩ Min
 Operating Temperature:-55°C TO +105°C

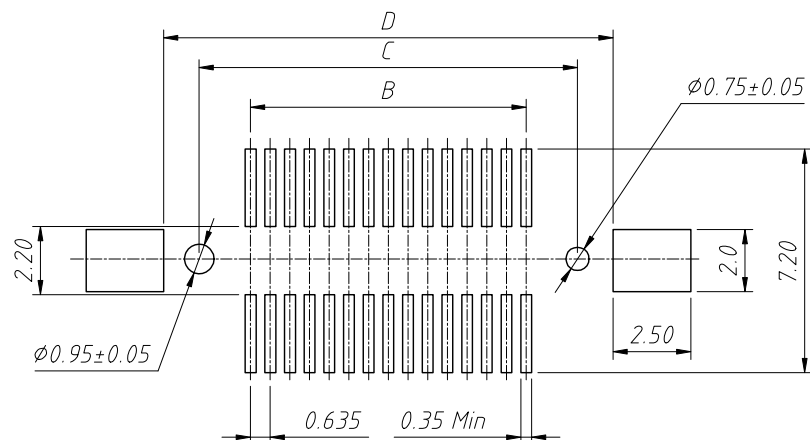
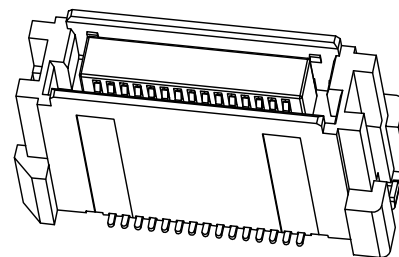
Pin	A	B	C	D	Lock
20	14.22	5.715	9.02	10.62	With Lock
30	17.40	8.89	12.20	13.80	
40	20.57	12.065	15.37	16.97	
50	23.75	15.24	18.55	20.15	
60	26.92	18.415	21.72	23.32	Without Lock
70	30.10	21.59	24.90	26.50	
80	33.27	24.765	28.07	29.67	
90	36.45	27.94	31.25	32.85	
100	39.62	31.115	34.42	36.02	
120	45.97	37.465	40.77	42.37	
140	52.32	43.815	47.12	48.72	
160	58.67	50.165	53.47	55.07	
180	65.02	56.515	59.82	61.42	
200	71.37	62.865	66.17	67.77	



Order Information:

L-KLS1-B01635-1000 F XX-T3RB-GF1

L:RoHS
 Board To Board
 Pitch-0.635mm
 Height-10.0mm
 Type:F-Female
 XX-No. Of Contact
 T3=SMD With Post
 T=SMD Without Post,Packing:R=Reel
 Color:B-Black W-Natural
 Plating:
 GF1-1u" Half Gold Tin G1=1u" Gold
 GF10-10u" Half Gold Tin Sn=Sn Gold



Recommended PCB Layout General Tolerance ±0.05

ANGLE TOLERANCE	PROJECTION	Description:		
±3°			0.635mm Board To Board Socket	
GENERAL TOLERANCE	UNITS	mm	KLS P/N: L-KLS1-B01635-1000FXX-T3RB-GF1	
x.x ±0.30	SHEET SIZE	A4	NingBo KLS ELECTRONIC CO.,L TD.	
x.xx ±0.20	Draw:	Jenny		2024-07-10
x.xxx ±0.10	Check:	Daniel		2024-07-10