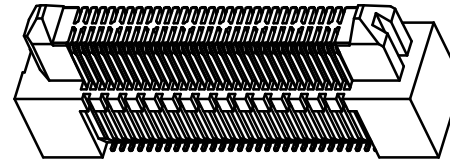
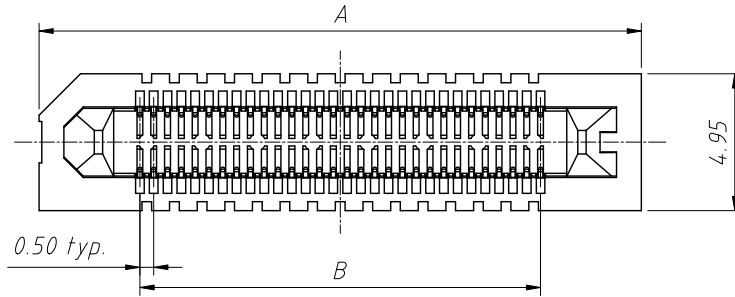


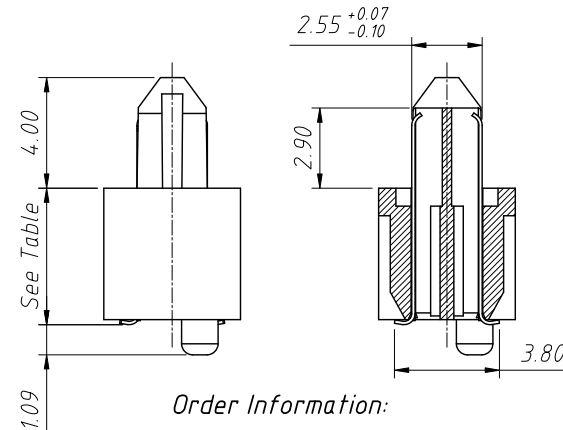
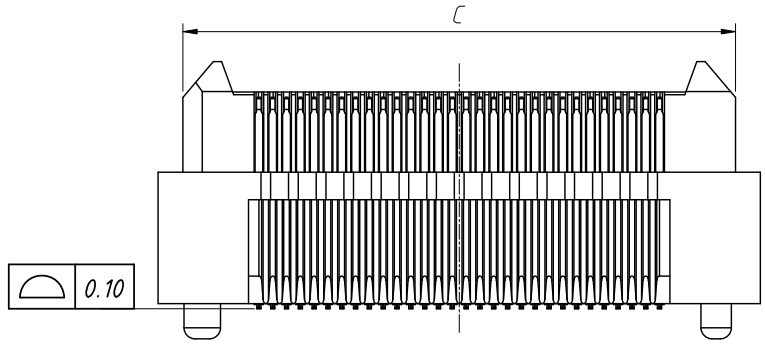
1 RoHS Compliance

| | | | | |
|-----|----------|---------------------|-------|------------|
| REV | SYM | Revision Record | Appr. | Date |
| V0 | KLS01629 | New Version Release | Jenny | 2024-07-10 |



Material:
 Insulator: Glass filled thermo-plastic. UL 94V-0
 Contact: Copper Alloy

Electrical:
 Current Rating: 1.5A
 Contact Resistance: 15mΩ max
 Insulation Resistance: 5000mΩ min at 575V DC
 Environmental:
 Operating Temperature: -55°C to +125°C



Table

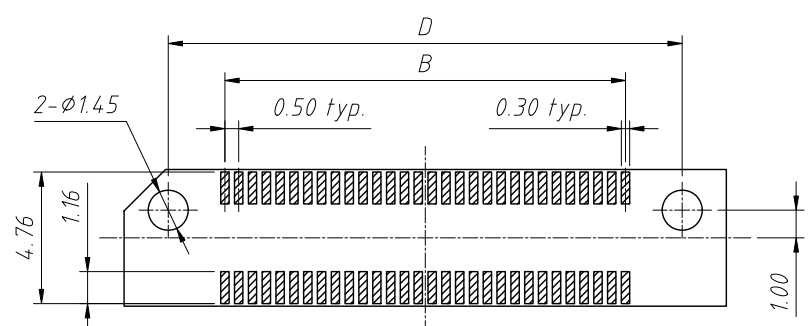
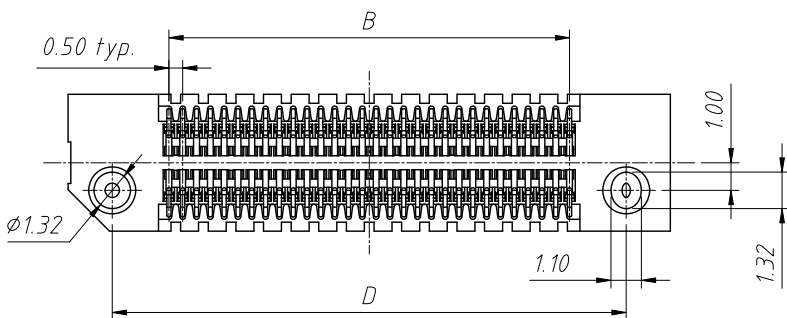
| Socket | Stack Height | | | |
|-----------------|--------------|-------|-------|-------|
| | Plug | | | |
| | 2.0 | 4.0 | 5.0 | |
| 5.0 | 7.0 | 9.0 | 10.0 | |
| 7.0 | 9.0 | 11.0 | 12.0 | |
| NO. Of Contacts | Dimensions | | | |
| | A | B | C | D |
| 10 | 9.30 | 2.00 | 7.50 | 6.10 |
| 20 | 11.80 | 4.50 | 10.00 | 8.60 |
| 40 | 16.80 | 9.50 | 15.00 | 13.60 |
| 60 | 21.80 | 14.50 | 20.00 | 18.60 |
| 80 | 26.80 | 19.50 | 25.00 | 23.60 |
| 100 | 31.80 | 24.50 | 30.00 | 28.60 |
| 120 | 36.80 | 29.50 | 35.00 | 33.60 |
| 140 | 40.80 | 34.50 | 40.00 | 38.60 |
| 150 | 44.30 | 37.00 | 42.50 | 41.10 |

Order Information:

L-KLS1-B1705-XX M XX-T3RB-FG1

L:RoHS
 Board To Board
 Pitch-0.50mm
 Height-See Table
 Type:M-Male
 XX-No. Of Contact
 T3=SMD With Post
 T=SMD Without Post, Packing:R=Reel
 Color:B-Black W-Natural
 Plating:
 GF1-1u "Half Gold Tin G1=1u"Gold
 GF10-10u" Half Gold Tin Sn=Sn Gold

| ANGLE TOLERANCE | PROJECTION | Description: | | |
|-------------------|------------|---------------------------|------------|---------------------------------|
| ±3° | | 0.5mm Board To Board Plug | | |
| GENERAL TOLERANCE | UNITS | mm | KLS P/N: | L-KLS1-B1705-XXMX-T3RB-GF1 |
| x.x ±0.30 | SHEET SIZE | A4 | | |
| x.xx ±0.20 | Draw: | Jenny | 2024-07-10 | NingBo KLS ELECTRONIC CO.,L TD. |
| x.xxx ±0.10 | Check: | Daniel | 2024-07-10 | |

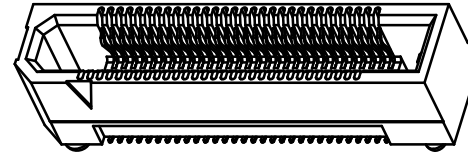
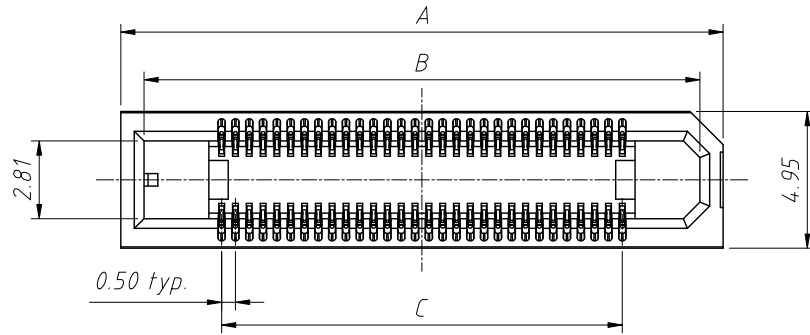


Recommended PCB Layout
 General Tolerance ±0.05

Grid labels: 1, 2, 3, 4, 5, 6, 7, 8 (columns); A, B, C, D, E, F, G, H (rows)

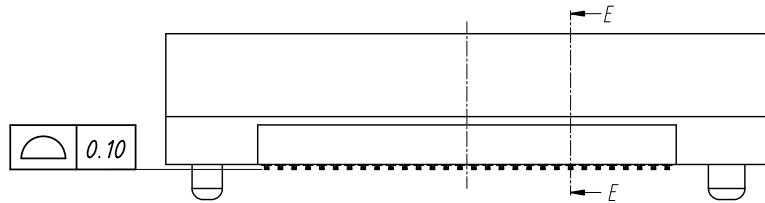
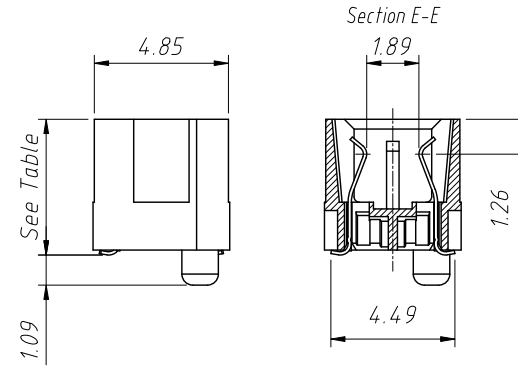
1 RoHS Compliance

| | | | | |
|-----|----------|---------------------|-------|------------|
| REV | SYM | Revision Record | Appr. | Date |
| V0 | KLS01629 | New Version Release | Jenny | 2024-07-10 |



Material:
 Insulator: Glass filled thermo-plastic. UL 94 V-0
 Contact: Copper Alloy

Electrical:
 Current Rating: 1.5A
 Contact Resistance: 15mΩ max
 Insulation Resistance: 5000mΩ min at 575V DC
 Environmental:
 Operating Temperature: -55°C to +125°C



Order Information:

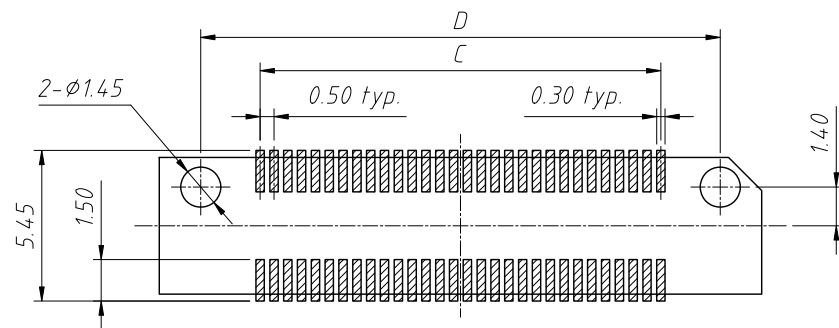
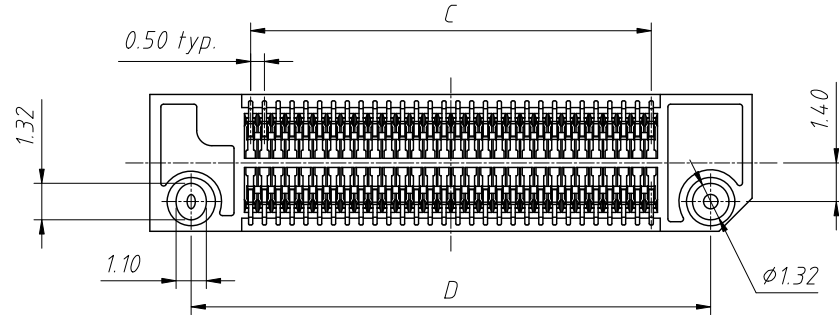
L-KLS1-B1705-XX F XX-T3RB-GF1

L:RoHS
 Board To Board
 Pitch-0.50mm
 Height-See Table
 Type F-Female
 XX-No. Of Contact
 T3=SMD With Post
 T=SMD Without Post, Packing: R=Reel
 Color: B-Black W-Natural
 Plating:
 GF1-1u "Half Gold Tin G1=1u" Gold
 GF10-10u" Half Gold Tin Sn=Sn Gold

Table

| Socket | Stack Height | | | |
|-----------------|--------------|-------|-------|-------|
| | Plug | | | |
| | 2.0 | 4.0 | 5.0 | |
| 5.0 | 7.0 | 9.0 | 10.0 | |
| 7.0 | 9.0 | 11.0 | 12.0 | |
| NO. Of Contacts | Dimensions | | | |
| | A | B | C | D |
| 10 | 9.30 | 7.62 | 2.00 | 6.30 |
| 20 | 11.80 | 10.12 | 4.50 | 8.80 |
| 40 | 16.80 | 15.12 | 9.50 | 13.80 |
| 60 | 21.80 | 20.12 | 14.50 | 18.80 |
| 80 | 26.80 | 25.12 | 19.50 | 23.80 |
| 100 | 31.80 | 30.12 | 24.50 | 28.80 |
| 120 | 36.80 | 35.12 | 29.50 | 33.80 |
| 140 | 40.80 | 40.12 | 34.50 | 38.80 |
| 150 | 44.30 | 42.62 | 37.00 | 41.30 |

| | | | | |
|-------------------|------------|--------------|-----------------------------|---------------------------------|
| ANGLE TOLERANCE | PROJECTION | Description: | 0.5mm Board To Board Socket | |
| ±3° | | | | |
| GENERAL TOLERANCE | UNITS | mm | KLS P/N: | L-KLS1-B1705-XXFXX-T3RB-GF1 |
| x.x ±0.30 | SHEET SIZE | A4 | | |
| x.xx ±0.20 | Draw: | Jenny | 2024-07-10 | NingBo KLS ELECTRONIC CO.,L TD. |
| x.xxx ±0.10 | Check: | Daniel | 2024-07-10 | |



Recommended PCB Layout
 General Tolerance ±0.05

