

1 RoHS Compliance

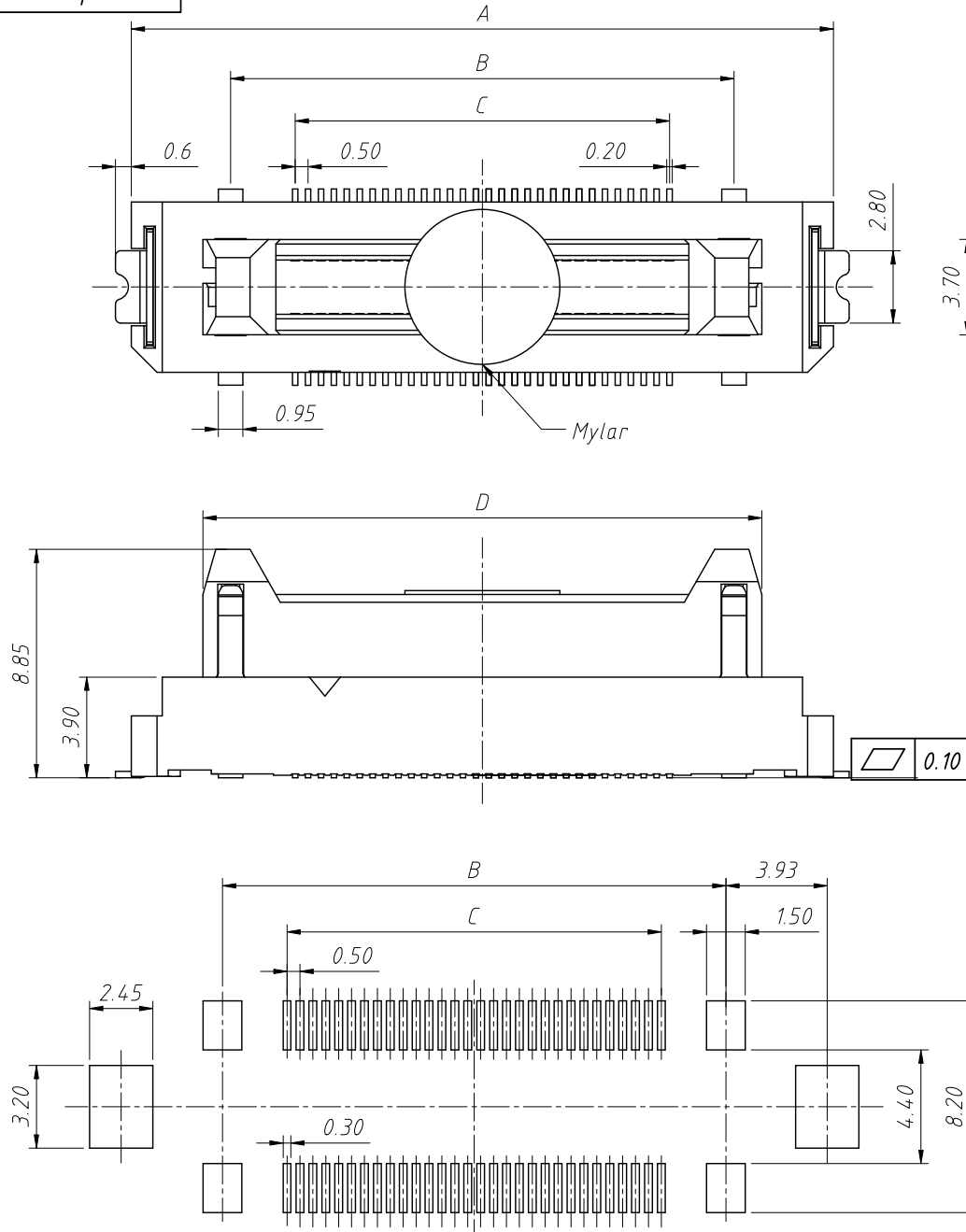
REV	SYM	Revision Record	Appr.	Date
V0	KLS01629	New Version Release	Jenny	2024-07-10

Material:
 Insulator:LCP,UL 94V-0,Black
 Terminal:Copper alloy,Gold plating,
 Nickel 50u" min. over all
 Metal fittings:Copper alloy.Tin 100u" min.
 over Nickel 50u"min.

Electrical:
 Voltage/current rating:
 Power Contact:30V/3A AC;
 Signal Contact:30V/0.5A AC;
 Withstanding Voltage:150V AC one minute;
 Insulation resistance:1000mΩ min;
 Contact resistance:100mΩ max;
 Operating Temperature Range:-35°C ~ +85°C

Order Information:
 L-KLS1-B1605-885 M XX-T3RB-GF1

L:RoHS
 Board To Board
 Pitch-0.50mm
 Height-8.85mm
 Type:M-Male
 XX-No. Of Contact
 T3=SMD With Post
 T=SMD Without Post,Packing:R=Reel
 Color:B-Black W-Natural
 Plating:
 GF1-1u"Half Gold Tin G1=1u"Gold
 GF10-10u" Half Gold Tin Sn=Sn Gold



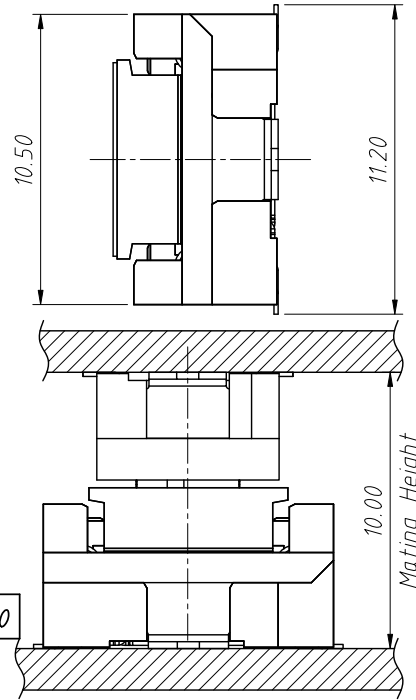
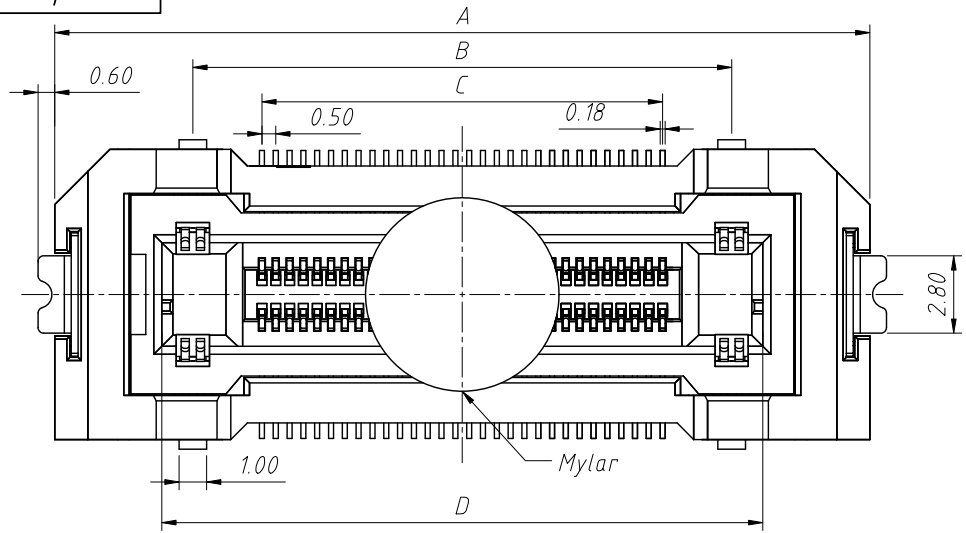
Recommended PCB Layout
 General Tolerance ±0.05

ANGLE TOLERANCE	PROJECTION	Description:
±3°		0.5mm Board To Board Plug
GENERAL TOLERANCE	UNITS	KLS P/N:
x.x ±0.30	mm	L-KLS1-B1605-885MXX-T3RB-GF1
x.xx ±0.20	SHEET SIZE	A4
x.xxx ±0.10	Draw:	Jenny 2024-07-10
	Check:	Daniel 2024-07-10

KLS NingBo KLS ELECTRONIC CO.,L TD.

1 RoHS Compliance

REV	SYM	Revision Record	Appr.	Date
V0	KLS01629	New Version Release	Jenny	2024-07-10

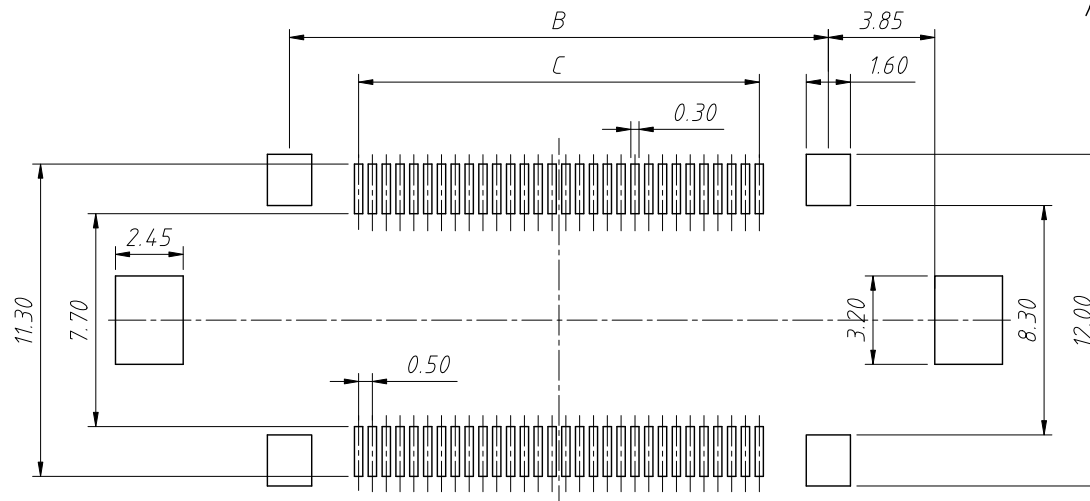
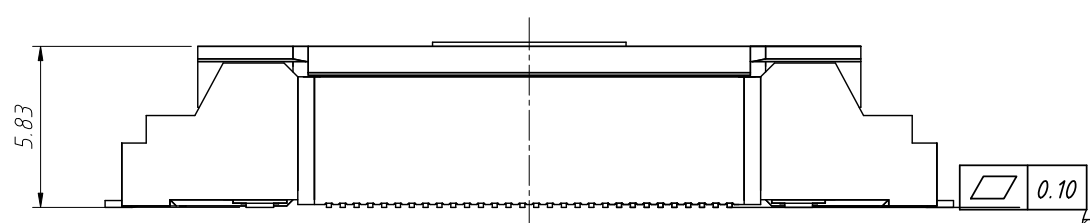


Material:
 Insulator: LCP, UL 94V-0, Black
 Terminal: Copper alloy, Gold plating,
 Nickel 50u" min. over all
 Metal fittings: Copper alloy. Tin 100u" min.
 over Nickel 50u" min.

Electrical:
 Voltage/current rating:
 Power Contact: 30V/3A AC;
 Signal Contact: 30V/0.5A AC;
 Withstanding Voltage: 150V AC one minute;
 Insulation resistance: 1000mΩ min;
 Contact resistance: 100mΩ max;
 Operating Temperature Range: -35°C ~ +85°C

Order Information:
 L-KLS1-B1605-583 F XX-T3RB-GF1

L:RoHS
 Board To Board
 Pitch-0.50mm
 Height-5.83mm
 Type F-Female
 XX-No. Of Contact
 T3=SMD With Post
 T=SMD Without Post, Packing: R=Reel
 Color: B-Black W-Natural
 Plating:
 GF1-1u" Half Gold Tin G1=1u" Gold
 GF10-10u" Half Gold Tin Sn=Sn Gold



Recommended PCB Layout
 General Tolerance ±0.05

Pins	Dimensions (mm)			
	A	B	C	D
20	19.50	9.50	4.50	11.75
30	22.00	12.00	7.00	14.25
40	24.50	14.50	9.50	16.75
50	27.00	17.00	12.00	19.25
60	29.50	19.50	14.50	21.75
80	34.50	24.50	19.50	26.75
100	39.50	29.50	24.50	31.75
120	44.50	34.50	29.50	36.75

ANGLE TOLERANCE	PROJECTION	Description:	0.5mm Board To Board Socket	
±3°				
GENERAL TOLERANCE	UNITS	mm	KLS P/N:	L-KLS1-B1605-583FXX-T3RB-GF1
x.x ±0.30	SHEET SIZE	A4		
x.xx ±0.20	Draw:	Jenny	2024-07-10	NingBo KLS ELECTRONIC CO.,L TD.
x.xxx ±0.10	Check:	Daniel	2024-07-10	

1 2 3 4 5 6 7 8

A B C D E F G H