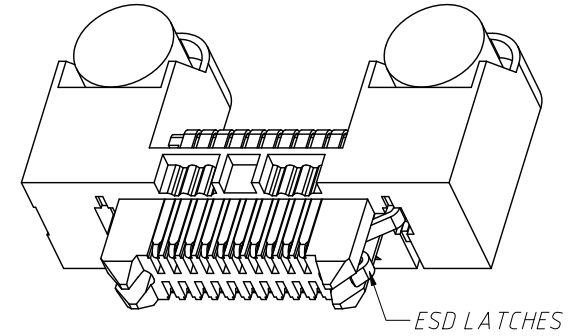
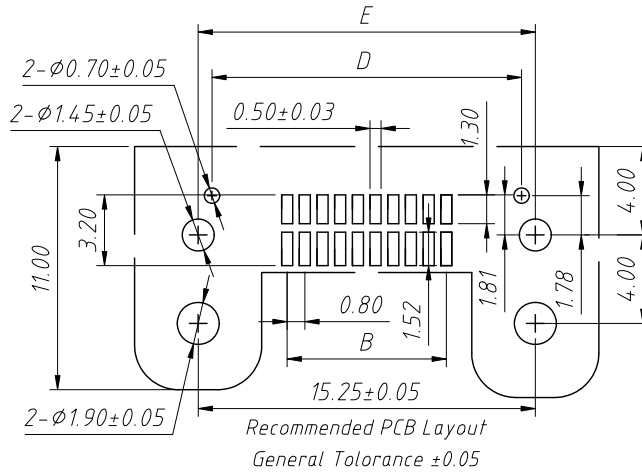
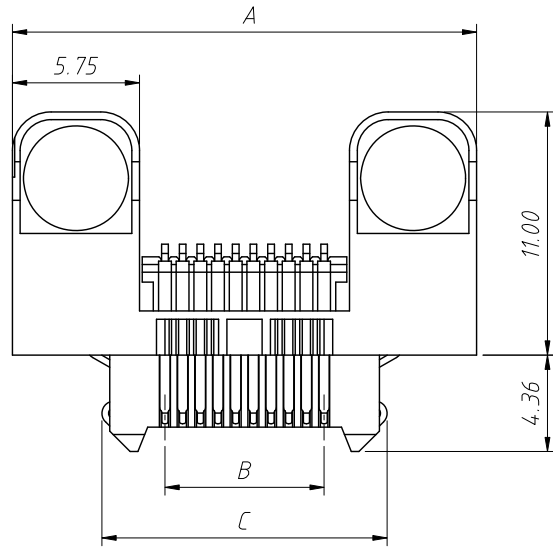


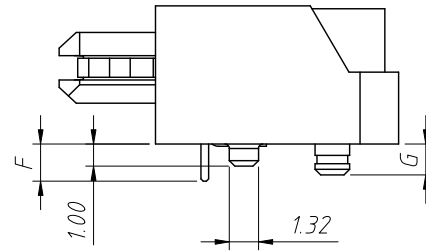
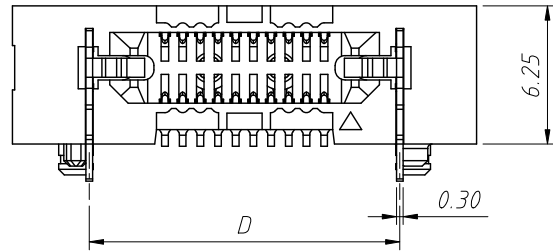
RoHS Compliance

REV	SYM	Revision Record	Appr.	Date
V0	KLS01629	New Version Release	Jenny	2024-07-10



**Electrical:**  
 Current Rating: 23A-58.7 PER Power Blade  
 Withstanding Voltage: 600V AC for 1 min  
 Contact Resistance: 30mΩ Max  
 Insulation Resistance: 1000MΩ Min  
 Operating Temperature: -55°C TO +125°C.

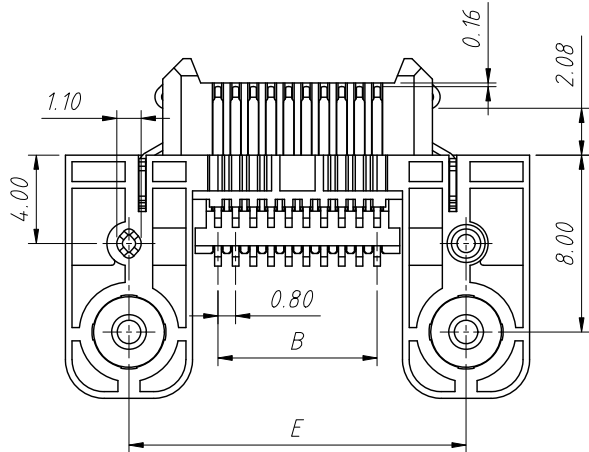
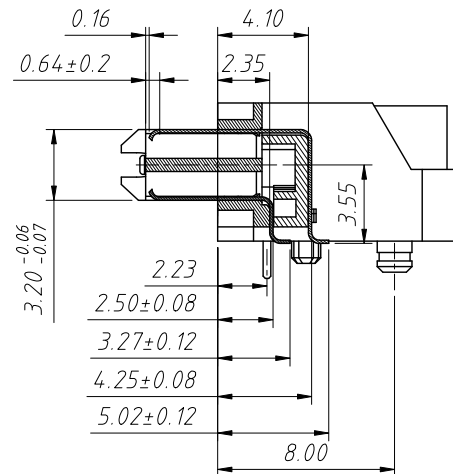
**Material:**  
 Housing: Thermo-Plastic, UL94 V-0  
 Contact: Phosphor Bronze, Gold flash  
 Locking Clip: Matte Tin Contact And Tail



**Order Information:**  
 L-KLS1-B1508-625 M XX-T3RB-FG1

L:RoHS  
 Board To Board  
 Pitch-0.80mm  
 Height-6.25mm  
 Type:M-Male  
 XX-No. Of Contact  
 T3=SMD With Post  
 T=SMD Without Post, Packing:R=Reel  
 Color:B-Black W-Natural  
 Plating:  
 GF1-1u "Half Gold Tin      G1=1u" Gold  
 GF10-10u" Half Gold Tin      Sn=Sn Gold

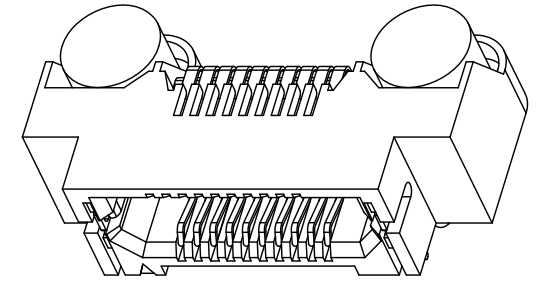
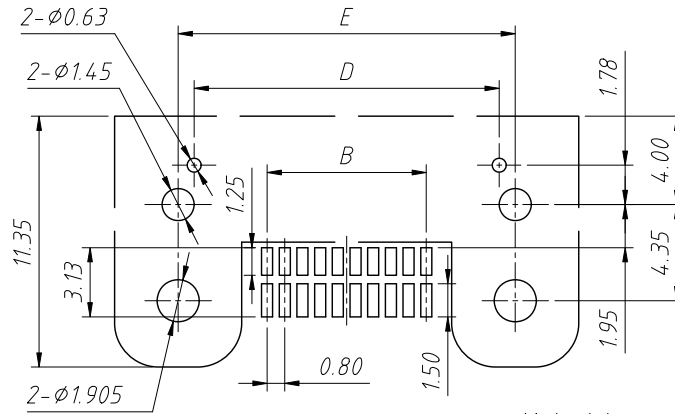
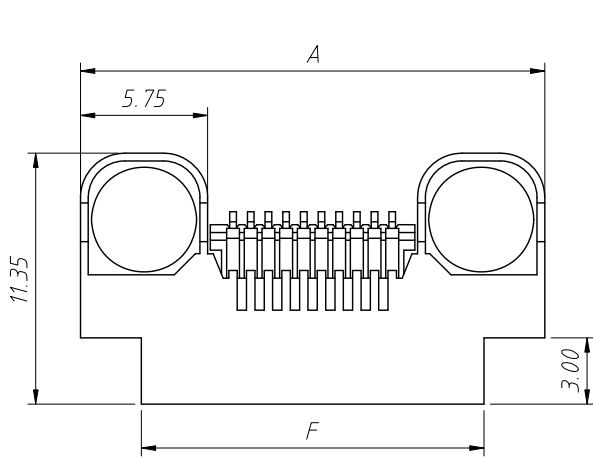
Pins	A	B	C	D	E
20	21.00	7.20	12.90	14.05	15.25
22	21.80	8.00	13.70	14.85	16.05
26	23.40	9.60	15.30	16.45	17.65
40	29.00	15.20	20.90	22.05	23.25
50	33.00	19.20	24.90	26.05	27.25
60	37.00	23.20	28.90	30.05	31.25
74	42.60	28.80	34.50	35.65	36.85
80	45.00	31.20	36.90	38.05	39.25
98	52.20	38.40	44.10	45.25	46.45
100	53.00	39.20	44.90	46.05	47.25
120	61.00	47.20	52.90	54.05	55.25
140	69.00	55.20	60.90	62.05	63.25
150	73.00	59.20	64.90	66.05	67.25



ANGLE TOLERANCE	PROJECTION	Description:
±3°		0.8mm Board To Board Plug
GENERAL TOLERANCE	UNITS	mm
x.x ±0.30	SHEET SIZE	A4
x.xx ±0.20	Draw:	Jenny 2024-07-10
x.xxx ±0.10	Check:	Daniel 2024-07-10
KLS ELECTRONIC		NingBo KLS ELECTRONIC CO.,L TD.

RoHS Compliance

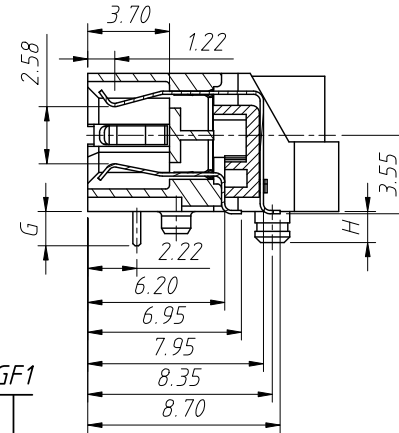
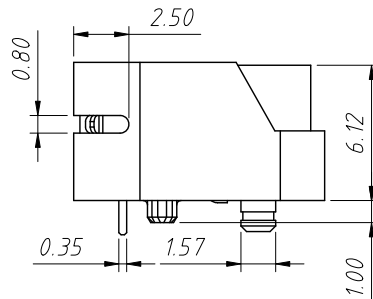
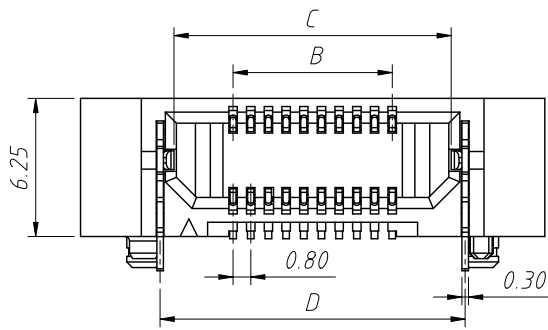
REV	SYM	Revision Record	Appr.	Date
V0	KLS01629	New Version Release	Jenny	2024-07-10



Recommended PCB Layout  
General Tolerance ±0.05

Material:  
Housing: Thermo-Plastic, UL94V-0  
Contact: Phosphor Bronze, Gold flash  
Locking Clip: Matte Tin Contact And Tail  
Operating Temperature: -55°C TO +125°C

Electrical:  
Current Rating: 23A-58.7 PER Power Blade  
Withstanding Voltage: 600V AC for 1 min  
Contact Resistance: 30mΩ Max  
Insulation Resistance: 1000MΩ Min



Pins	A	B	C	D	E	F
20	21.00	7.20	12.32	13.80	15.25	15.50
22	21.80	8.00	13.34	14.60	16.05	16.30
26	23.40	9.60	14.94	16.20	17.65	17.90
40	29.00	15.20	20.54	21.80	23.25	23.50
50	33.00	19.20	24.54	25.80	27.25	27.50
60	37.00	23.20	28.54	29.80	31.25	31.50
74	42.60	28.80	34.14	35.40	36.85	37.10
80	45.00	31.20	36.54	37.80	39.25	39.50
98	52.20	38.40	43.74	45.00	46.45	46.70
100	53.00	39.20	44.54	45.80	47.25	47.50
106	55.40	41.60	46.94	48.20	49.65	49.90
120	61.00	47.20	52.54	53.80	55.25	55.50
140	69.00	55.20	60.54	61.80	63.25	63.50
150	73.00	59.20	64.54	65.80	67.25	67.50

Order Information:

L-KLS1-B1508-625 F XX-T3RB-GF1

L:RoHS  
Board To Board  
Pitch-0.80mm  
Height-6.25mm  
Type:F-Female  
XX-No. Of Contact  
T3=SMD With Post  
T=SMD Without Post, Packing:R=Reel  
Color:B-Black W-Natural  
Plating:  
GF1-1u "Half Gold Tin G1=1u"Gold  
GF10-10u" Half Gold Tin Sn=Sn Gold

ANGLE TOLERANCE	PROJECTION	Description:	
±3°		0.8mm Board To Board Socket	
GENERAL TOLERANCE	UNITS	mm	KLS P/N:
x.x ±0.30	SHEET SIZE	A4	L-KLS1-B1508-625FXX-T3RB-GF1
x.xx ±0.20	Draw:	Jenny	2024-07-10
x.xxx ±0.10	Check:	Daniel	2024-07-10

