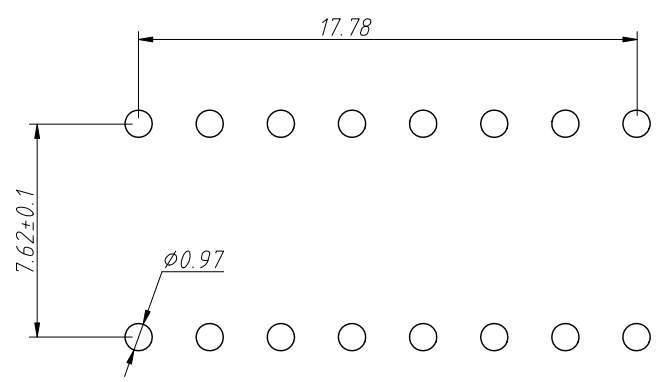
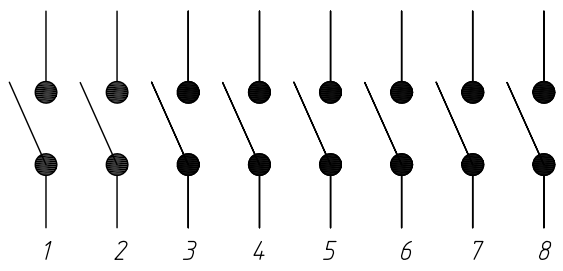
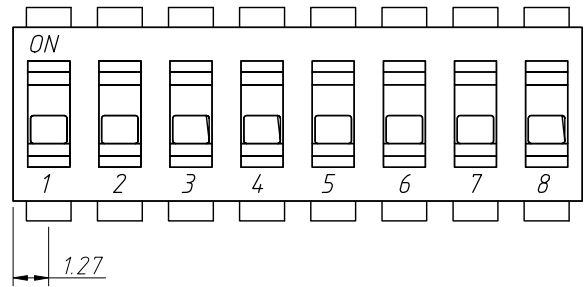
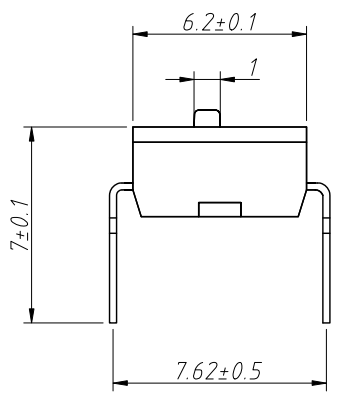
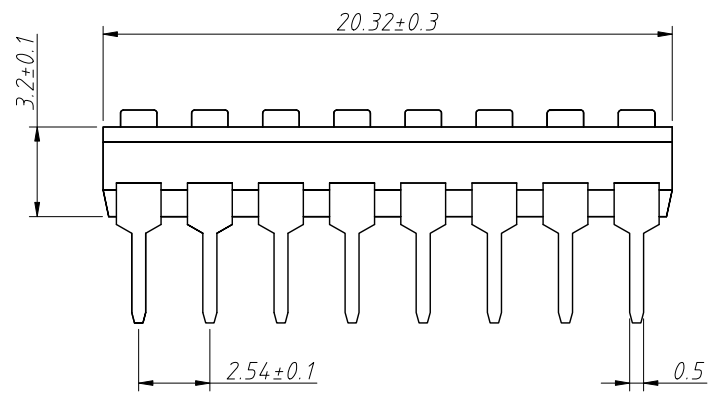


REV	SYM	Revision Record	Appr.	Date
V0	KLS07018	New Version Release	Song	2023-11-10



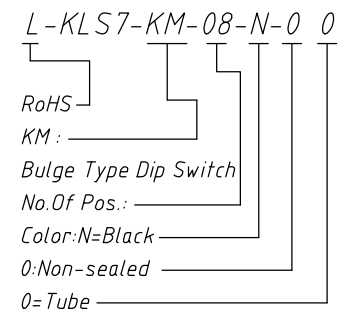
Recommended PCB Layout  
Tolerance: ±0.05mm

Notes:

- 1.Material:  
 Switch cover:PPS UL 94V-0  
 Switch Body:PPS UL 94V-0  
 Action Bars:PA46 UL 94V-0  
 Paddle: High Temperature Nylon  
 Shrapnel:Beryllium Copper,Gold-Plated  
 Terminal:Brass,Gold-Plated

- 2.Electric:  
 Rated Current:  
     No Switching:100mA@50VDC  
     Switching:25mA@24 VDC  
 Contact Resistance:50mΩ Max  
 Insulator Resistance:100 MΩ Min  
 Insulation strength:500VAC/1min  
 Durability:2000 Cycles  
 Forec:500gf Max  
 Operating Temperature:  
     -30°C ~ +85°C(NO ICE)

Order Information



ANGLE TOLERANCE	PROJECTION	Description:		
±3°		2.54 Dip Switch		
GENERAL TOLERANCE	UNITS	mm	KLS P/N:	
x.x ±0.30	SHEET SIZE	A4	L-KLS7-KM-XX-N-00	
x.xx ±0.20	Draw:	Song	2023-11-10	
x.xxx ±0.10	Check:	Daniel	2023-11-10	

**NingBo KLS ELECTRONIC CO.,L TD.**