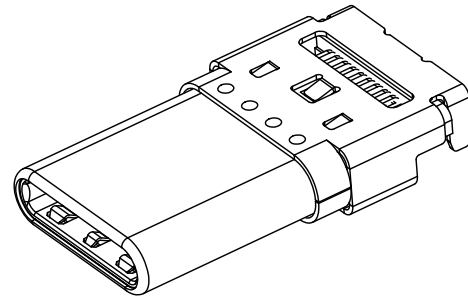
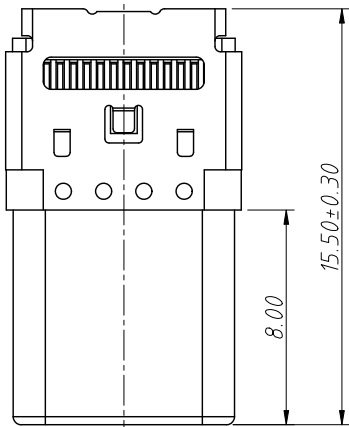


RoHS Compliance

REV	SYM	Revision Record	Appr.	Date
V0	KLS01640	New Version Release	Song	2024-07-18



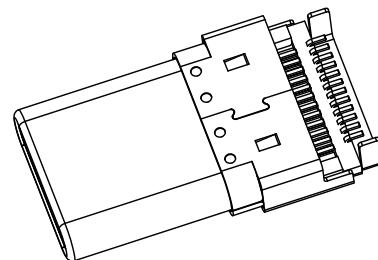
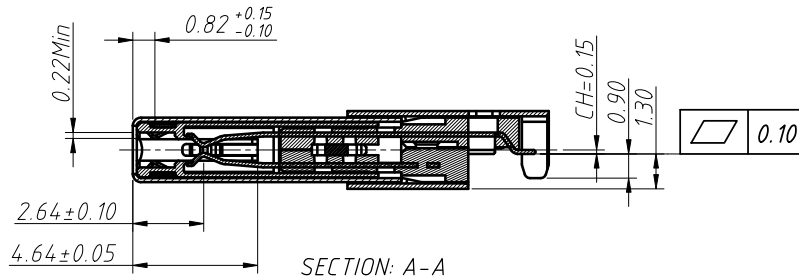
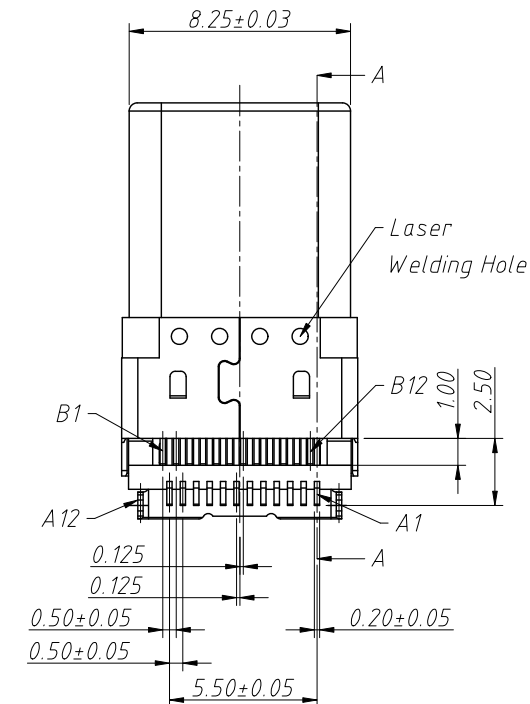
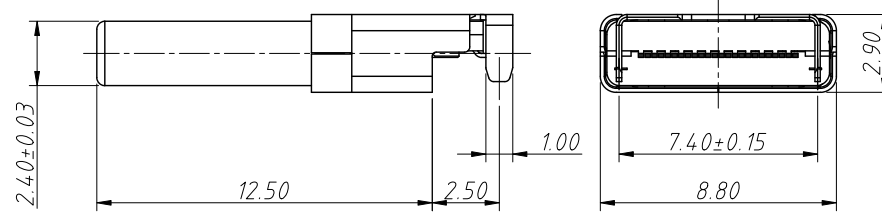
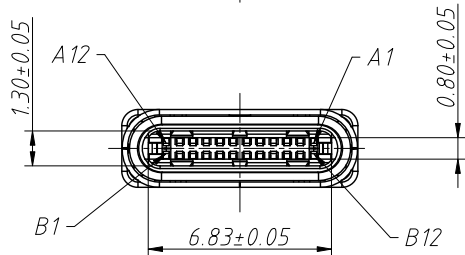
Order Information

L-KLS1-5472-01-R

RoHS
 USB Type
 Plating Code:
 01=AU 1u" 03=AU 3u"
 15=AU 15u" 30=AU 30u"
 Packing=R=Reel

NOTES:

- Material:
 - Shell:SUS304 1/2H
 - Emc Spring:SUS304 1/2H
 - Contacts:C7025 TM03
 - Latch:SUS301 1/2H
 - Housing:LCP E130,UL94 V-0,Black
 - Shield:SUS301 1/2H
- Plating Specification:
 - Contacts:Au Plated On Contact Area, Matte Tin 80u" Min Plated On Solderails, Nickel 50u" Min. Underplating Over All
 - Shell:Black Nickel Plating 50u" Min
 - Shield:Nickel Plating 50u" Min
- Mechanical:
 - Insertion Force:0.5~2.0kgf
 - Removal Force:0.8~2.0kgf(Initial),0.6~2.0kgf(After durability)
 - Durability:10000 Cycles
- Electrical:
 - Voltage Rating:5.0V
 Current Rating:5.0A For A4/A9/B4/B9 Pin, 1.25A For Other Pins
 - LLCR:VBUS & GND Pins And Other Pins:40mΩ/Pin Max
 Shield: 50mΩ/Max
 LLCR Max.Change Of All Pins:10mΩ
 - Insulation Resistance:100MΩ Min
 - Dielectric Withstand Voltage:AC 100V For 1 Minute
 - Operating Temperature: -30°C~+85°C
 - IR Reflow:The Peak Temperature On The Board Shall Be Maintained For 10 Seconds At 260°C

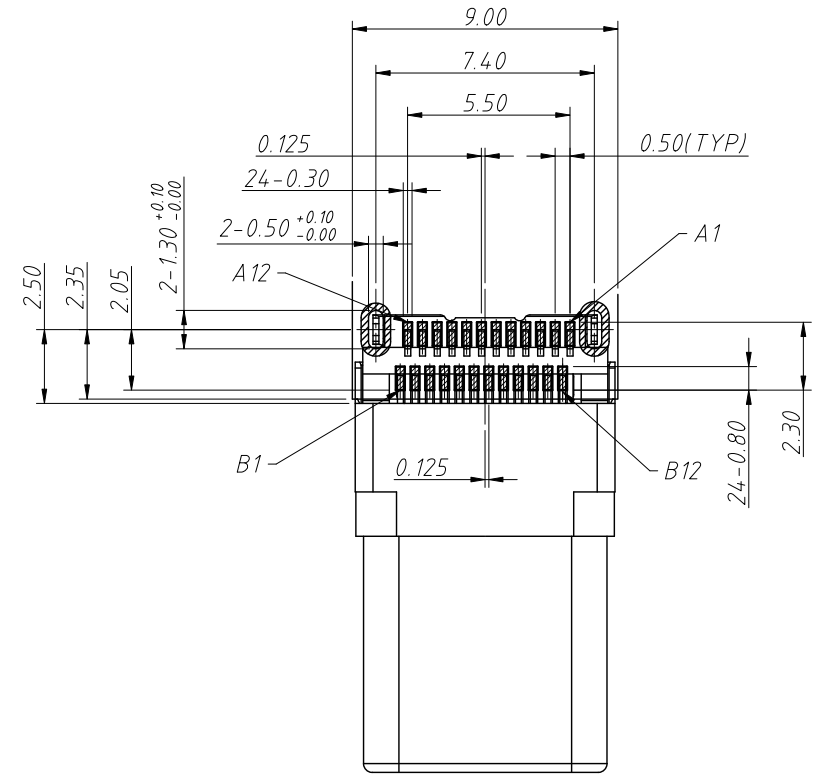


ANGLE TOLERANCE	PROJECTION	Description:	USB Connector	
±3°			L-KLS1-5472-XX-R	
GENERAL TOLERANCE	UNITS	mm	KLS P/N:	
.x ±0.30	SHEET SIZE	A4	1 of 3	
.xx ±0.20	Draw:	Song	2024-07-18	
.xxx ±0.10	Check:	Daniel	2024-07-18	

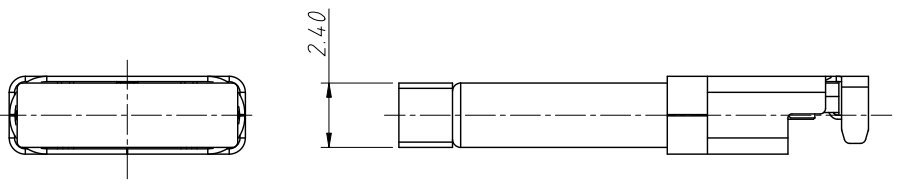
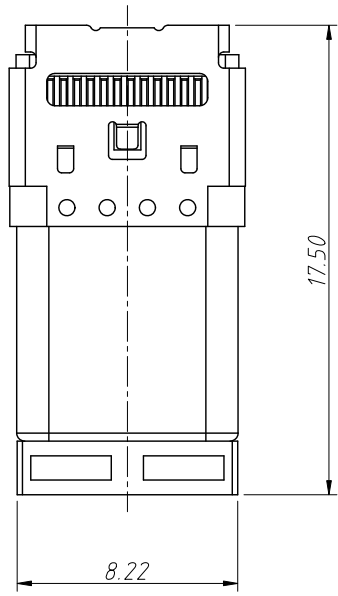
NingBo KLS ELECTRONIC CO.,LTD.

1
RoHS Compliance

REV	SYM	Revision Record	Appr.	Date
V0	KLS01640	New Version Release	Song	2024-07-18



Schematic Diagram With Cover



Recommended PCB Layout
Tolerance: ±0.05mm, T=0.8/1.0

USB TYPE-C Pin Assignments

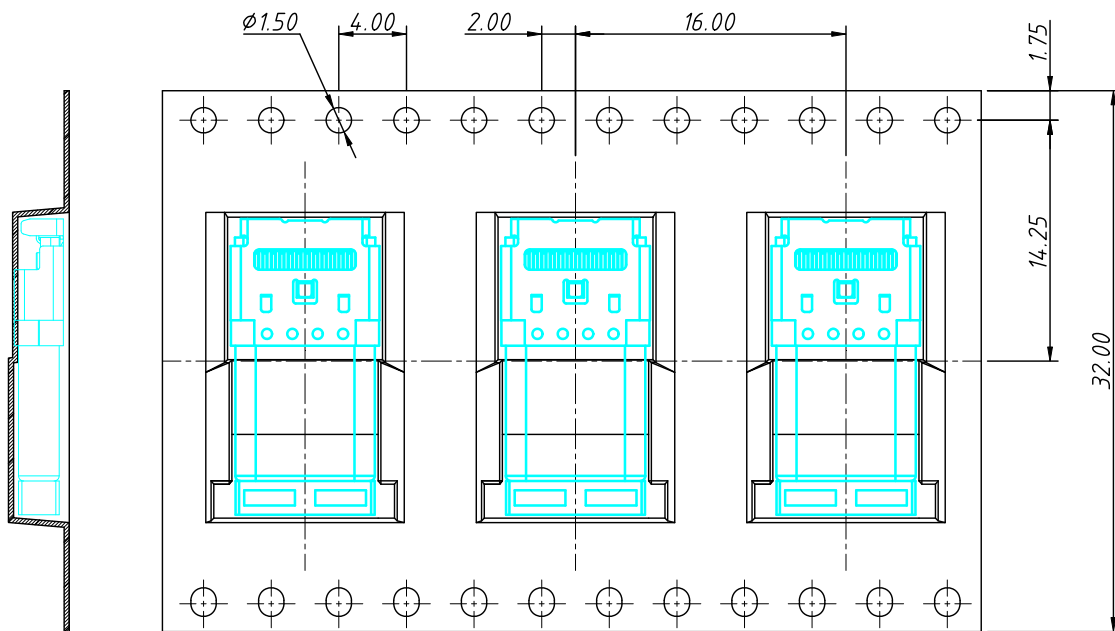
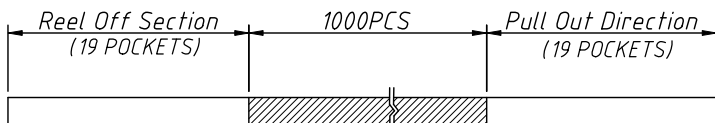
PIN	Signal Name	PIN	Signal Name
A1	GND	B12	GND
A2	SSTXp1	B11	SSRXp1
A3	SSTXn1	B10	SSRXn1
A4	VBUS	B9	VBUS
A5	CC1	B8	SBU2
A6	DP1	B7	DN2
A7	DN1	B6	DP2
A8	SBU1	B5	CC2
A9	VBUS	B4	VBUS
A10	SSRXn2	B3	SSTXn2
A11	SSRXp2	B2	SSTXp2
A12	GND	B1	GND

ANGLE TOLERANCE	PROJECTION	Description:		
±3°		USB Connector		
GENERAL TOLERANCE	UNITS	mm	KLS P/N:	
.x ±0.30	SHEET SIZE	A4	L-KLS1-5472-XX-R	
.xx ±0.20	Draw:	Song	2024-07-18	
.xxx ±0.10	Check:	Daniel	2024-07-18	

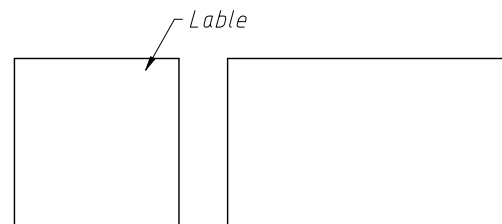
KLS NingBo KLS ELECTRONIC CO.,L.TD.

1 RoHS Compliance

6	7	8		
REV	SYM	Revision Record	Appr.	Date
V0	KLS01640	New Version Release	Song	2024-07-18



1. Seal The Carton With Tape.
2. Stick The Label On The Side Of The Carton



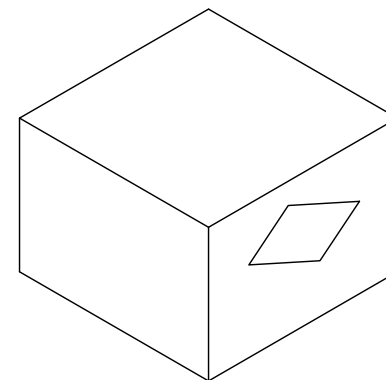
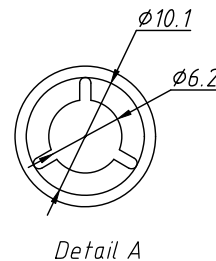
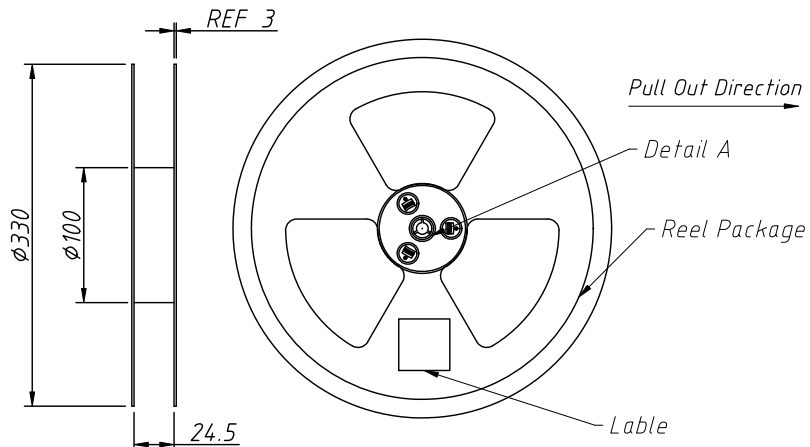
Remark:

1. If there are boxes are not full, they must be filled with buffer material
2. Handle with care during handling.
3. Do not pile up too much in transportation, do not have the phenomenon of heavy pressure.
4. The upper tape must be flat when sticking to the lower tape, and there should be no bubbles at the sticking place.

Reel Off Direction

Pull Out Direction

- Packing:
1. Reel: 1000 pcs / Reel
 2. Carton: 8000 pcs / 8 Reel / Carton



ANGLE TOLERANCE	PROJECTION	Description:	USB Connector	
±3°				
GENERAL TOLERANCE	UNITS	mm	KLS P/N:	L-KLS1-5472-XX-R
.x ±0.30	SHEET SIZE	A4	3 Of 3	NingBo KLS ELECTRONIC CO.,LTD.
.xx ±0.20	Draw:	Song	2024-07-18	
.xxx ±0.10	Check:	Daniel	2024-07-18	