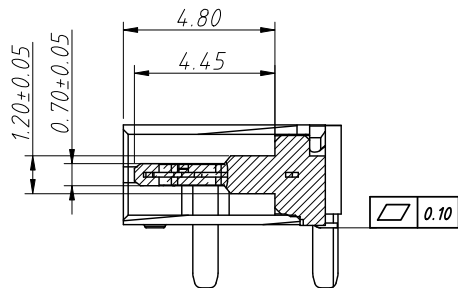
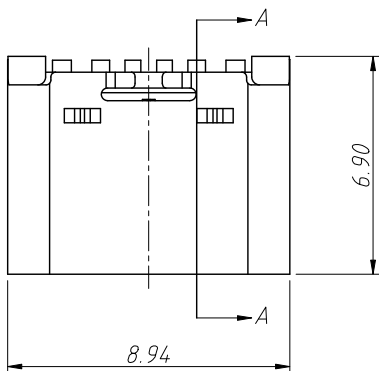


1 RoHS Compliance

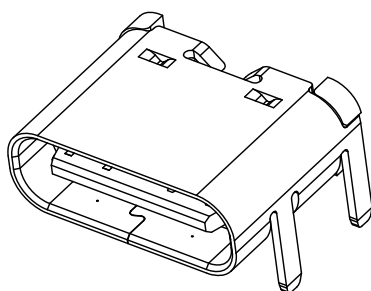
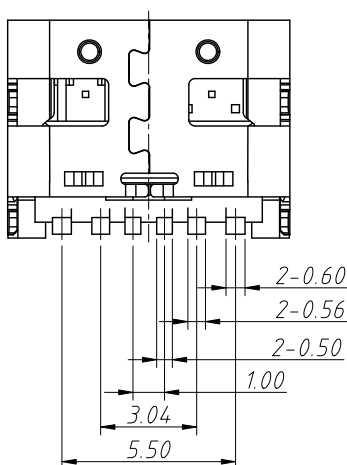
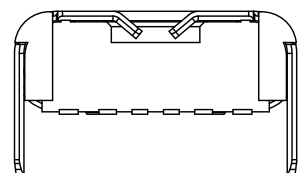
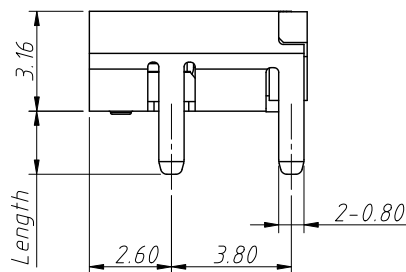
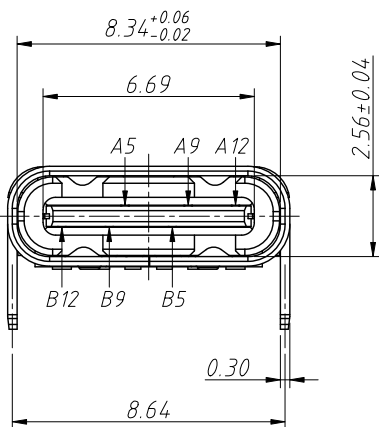


SECTION:A-A

Order Information

L-KLS1-5413-L1-01-R

RoHS  
 USB Type  
 Length:  
 L1=1.0 L2=2.0  
 Plating Code:  
 01=AU 1u" 03=AU 3u"  
 15=AU 15u" 30=AU 30u"  
 Packing:R=Reel



7	8			
REV	SYM	Revision Record	Appr.	Date
V0	KLS01640	New Version Release	Song	2024-07-01

NOTES:

- 1.Material:  
 1-1.Housing:High Temperature Resistant Plastic,UL94 V-0.  
 1-2.Contacts:Copper Alloy  
 1-3.Mid Plate:Stainless Steel  
 1-4.Front Shell:Stainless Steel

- 2.Plating Specification:  
 2-1.Contacts:Ni 50u" Min.Under Plated Over All  
 Au Plated On The Functional Area Of Contact  
 Au Plated On The Solder Area  
 2-2.Front Shell:Ni 30u"Min.Under Plated Over All.  
 2-3.Mid Plate:Clear Only

- 3.Mechanical:  
 3-1.Insertion Force:0.5~2.0kgf  
 3-2.Removal Force:0.8kgf~2.0kgf  
 3-3.Durability:10000 Cycles

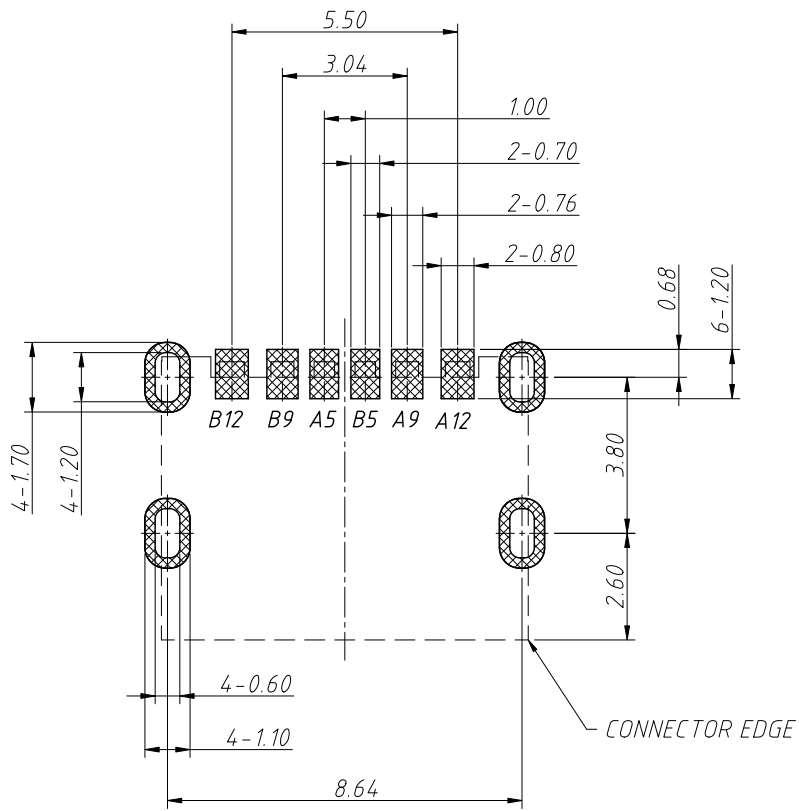
- 4.Electrical:  
 4-1. Voltage Rating:5 V DC/AC (RMS. Max)  
 Current Rating:1.5AMPS Min For VBUS Pin,  
 0.25 AMPS. For All Other Contact  
 4-2.LLCR:Vbus & GND Pins And Other Pins:40mΩ/Pin Max  
 Shield: 50mΩ Max  
 LLCR Max.Change Of All Pins:10mΩ  
 4-3.Insulation Resistance:100MΩ Min  
 4-4.Dielectric Withstand Voltage:AC 100V For 1 Minute

- 5.Operating Temperature: -25°C~+85°C  
 6.IR Reflow:The Peak Temperature On The Board Shall Be  
 Maintained For 10 Seconds At 260°C

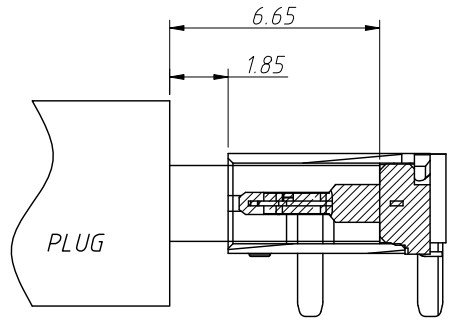
ANGLE TOLERANCE	PROJECTION	Description:	USB Connector	
±3°				
GENERAL TOLERANCE	UNITS	mm	KLS P/N:	L-KLS1-5413-LX-XX-R
.x ±0.30	SHEET SIZE	A4	1 of 3	NingBo KLS ELECTRONIC CO.,LTD.
.xx ±0.20	Draw:	Song	2024-07-01	
.xxx ±0.10	Check:	Daniel	2024-07-01	

1  
RoHS Compliance

6		7		8	
REV	SYM	Revision Record		Appr.	Date
V0	KLS01640	New Version Release		Song	2024-07-01



*Recommended PCB Layout*  
Tolerance: ±0.05mm



AFTER MATING

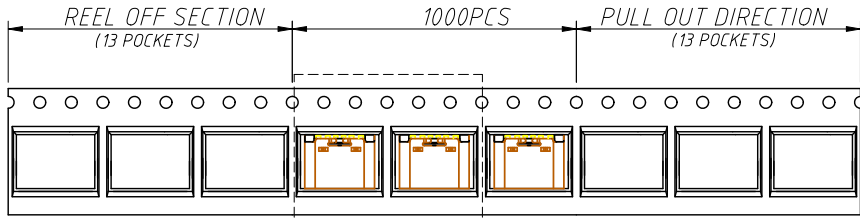
USB TYPE-C Pin Assignments

PIN	Signal Name	PIN	Signal Name
A5	CC1	B12	GND
A9	VBUS	B9	VBUS
A12	GND	B5	CC2

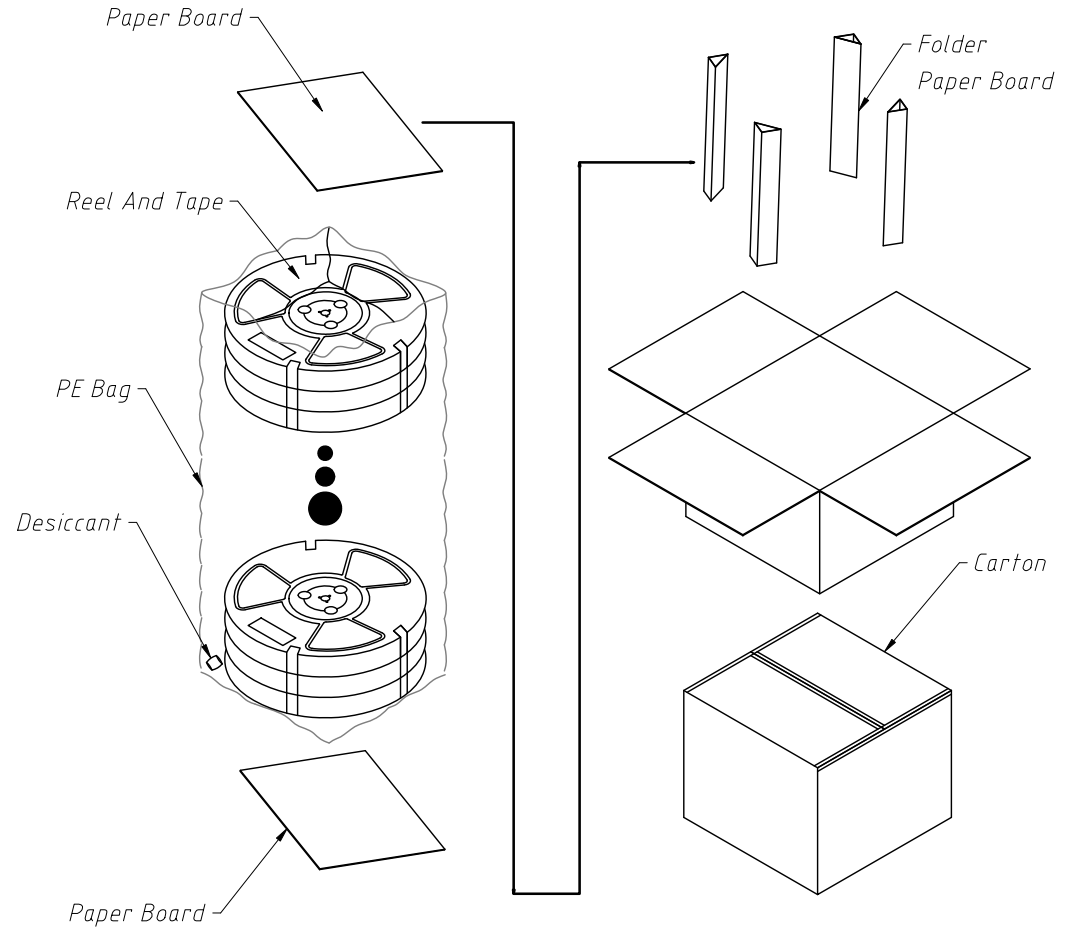
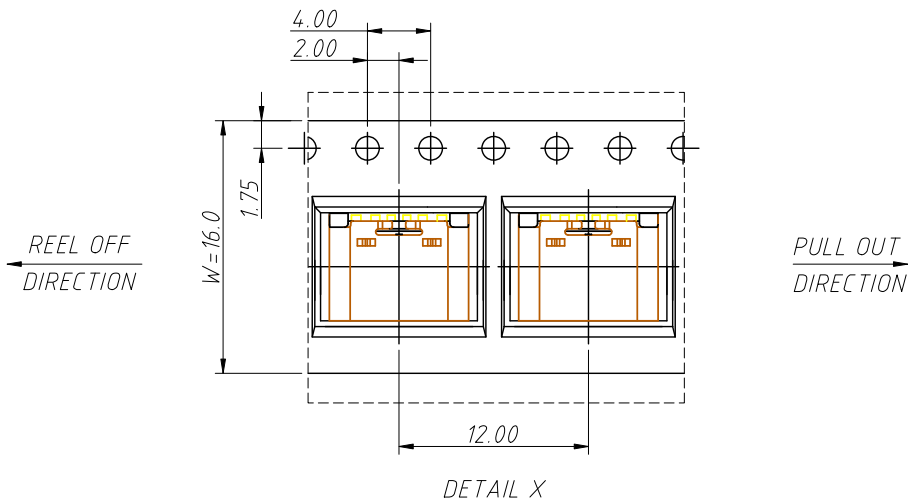
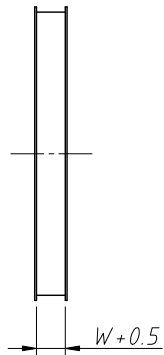
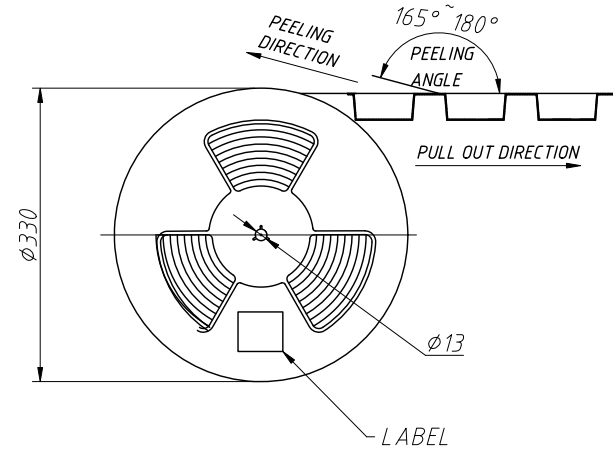
ANGLE TOLERANCE	PROJECTION	Description:			
±3°		USB Connector			
GENERAL TOLERANCE	UNITS	mm	KLS P/N:		
.x ±0.30	SHEET SIZE	A4	L-KLS1-5413-LX-XX-R		
.xx ±0.20	Draw:	Song	2024-07-01	NingBo KLS ELECTRONIC CO.,LTD.	
.xxx ±0.10	Check:	Daniel	2024-07-01		

1 RoHS Compliance

REV	SYM	Revision Record	Appr.	Date
V0	KLS01640	New Version Release	Song	2024-07-01



SEE DETAIL X



Notes:  
1000PCS/Reel, 14,000PCS/Carton

ANGLE TOLERANCE	PROJECTION	Description:	USB Connector	
$\pm 3^{\circ}$				
GENERAL TOLERANCE	UNITS	mm	KLS P/N:	L-KLS1-5413-LX-XX-R
.x $\pm 0.30$	SHEET SIZE	A4	3 Of 3	NingBo KLS ELECTRONIC CO.,LTD.
.xx $\pm 0.20$	Draw:	Song	2024-07-01	
.xxx $\pm 0.10$	Check:	Daniel	2024-07-01	