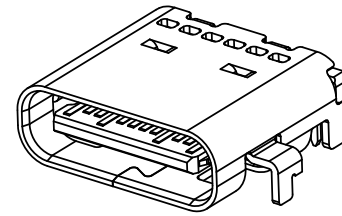
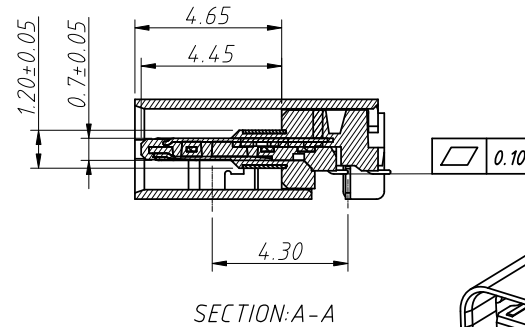
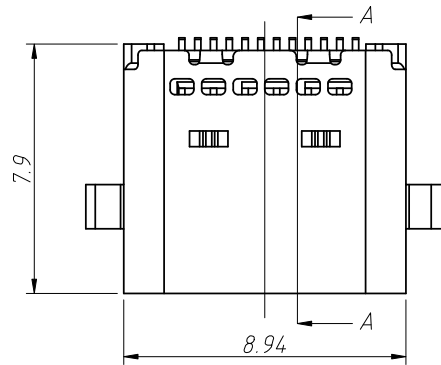


RoHS Compliance

REV	SYM	Revision Record	Appr.	Date
V0	KLS01640	New Version Release	Song	2024-06-27



NOTES:

1.Material:

- 1-1.Housing:High Temperature Resistant Plastic,UL94 V-0
- 1-2.Contacts:Copper Alloy
- 1-3.Mid Plate:Stainless Steel
- 1-4.Front Shell:Stainless Steel
- 1-5.EMI Plate:Stainless Steel

2.Plating Specification:

- 2-1.Contacts:Ni 50u" Min.Under Plated Over All  
Au Plated On The Functional Area Of Contact  
1u" Au Plated On The Solder Area
- 2-2.Front Shell:Ni 30u" Min.Under Plated Over All
- 2-3.Mid Plate:Ni 30u" Min Under Plated Over All  
Sn 80u" Min Plated Over All
- 2-4.EMI Plate:Clear Only

3.Mechanical:

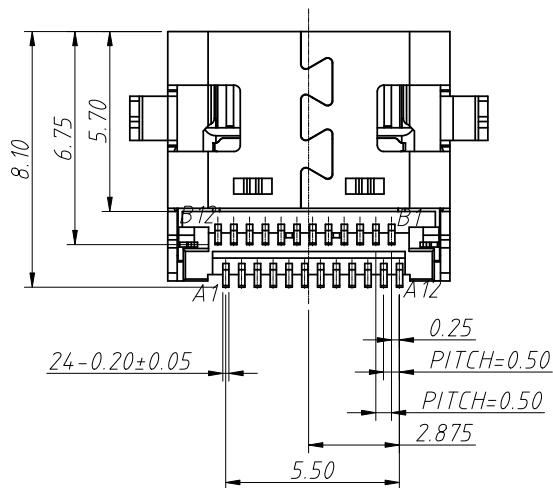
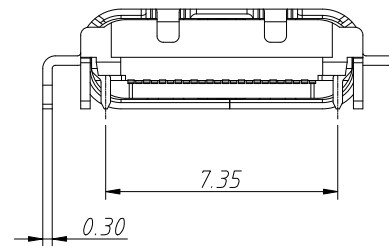
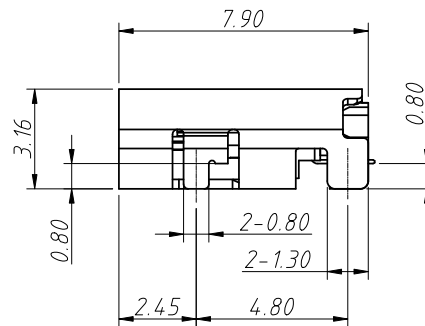
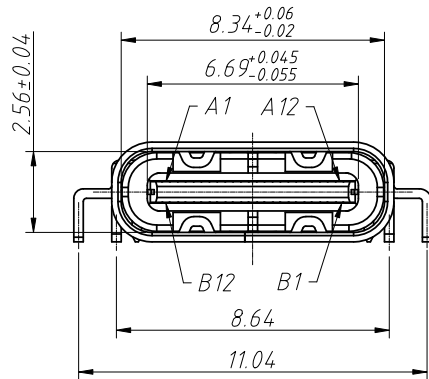
- 3-1.Insertion Force:0.5~2.0kgf
- 3-2.Removal Force:0.8kgf~2.0kgf
- 3-3.Durability:10000 Cycles

4.Electrical:

- 4-1.Current Rating:5.0A,Voltage Rating:5.0V
- 4-2.LLCR:VBUS & GND Pins And Other Pins:4.0mΩ/Pin Max  
LLCR Max.Change Of All Pins:10mΩ
- 4-3.Insulation Resistance:100MΩ Min
- 4-4.Dielectric Withstand Voltage:AC 100V For 1 Minute

5.Operating Temperature: -25°C ~ +85°C

6.IR Reflow:The Peak Temperature On The Board Shall Be Maintained For 10 Seconds At 260°C



Order Information

L-KLS1-5404-01-R

RoHS

USB Type

Plating Code:

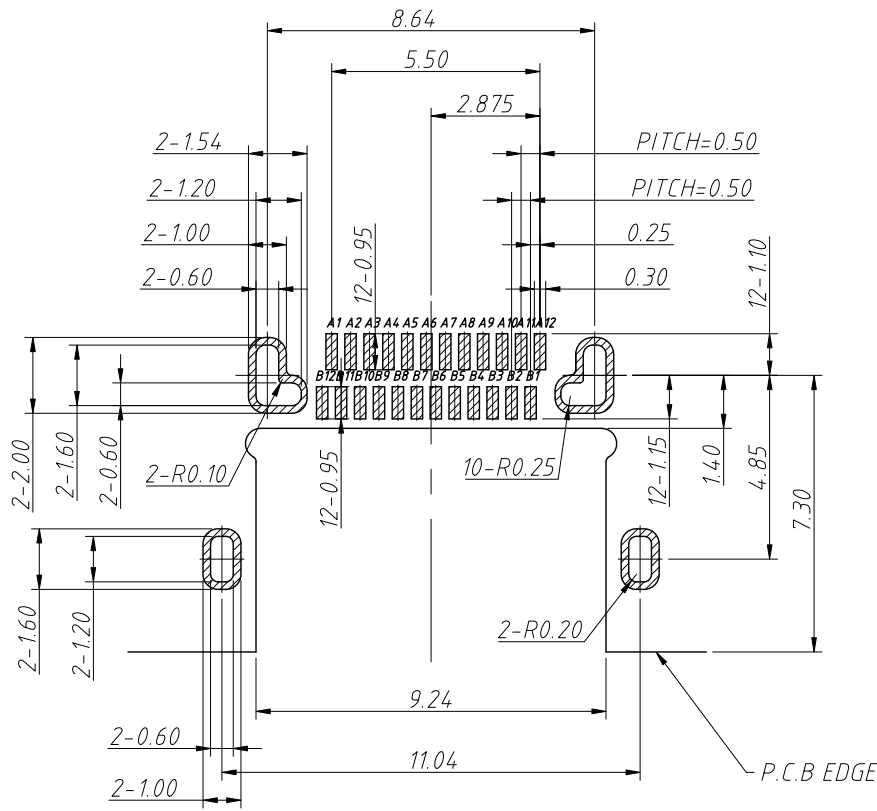
01=AU 1u" 03=AU 3u"

15=AU 15u" 30=AU 30u"

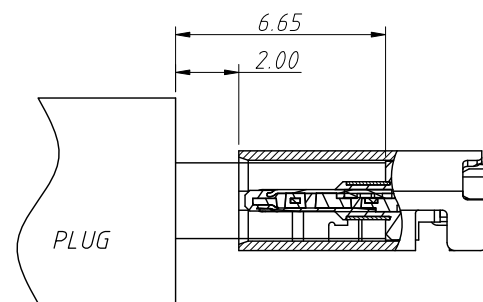
Packing:R=Reel

ANGLE TOLERANCE	PROJECTION	Description:	USB Connector	
±3°				
GENERAL TOLERANCE	UNITS	mm	KLS P/N:	L-KLS1-5404-XX-R
.x ±0.30	SHEET SIZE	A4	1 of 3	NingBo KLS ELECTRONIC CO.,LTD.
.xx ±0.20	Draw:	Song	2024-06-27	
.xxx ±0.10	Check:	Daniel	2024-06-27	

REV	SYM	Revision Record	Appr.	Date
V0	KLS01640	New Version Release	Song	2024-06-27



Recommended PCB Layout  
Tolerance: ±0.05mm, T=0.60



AFTER MATING

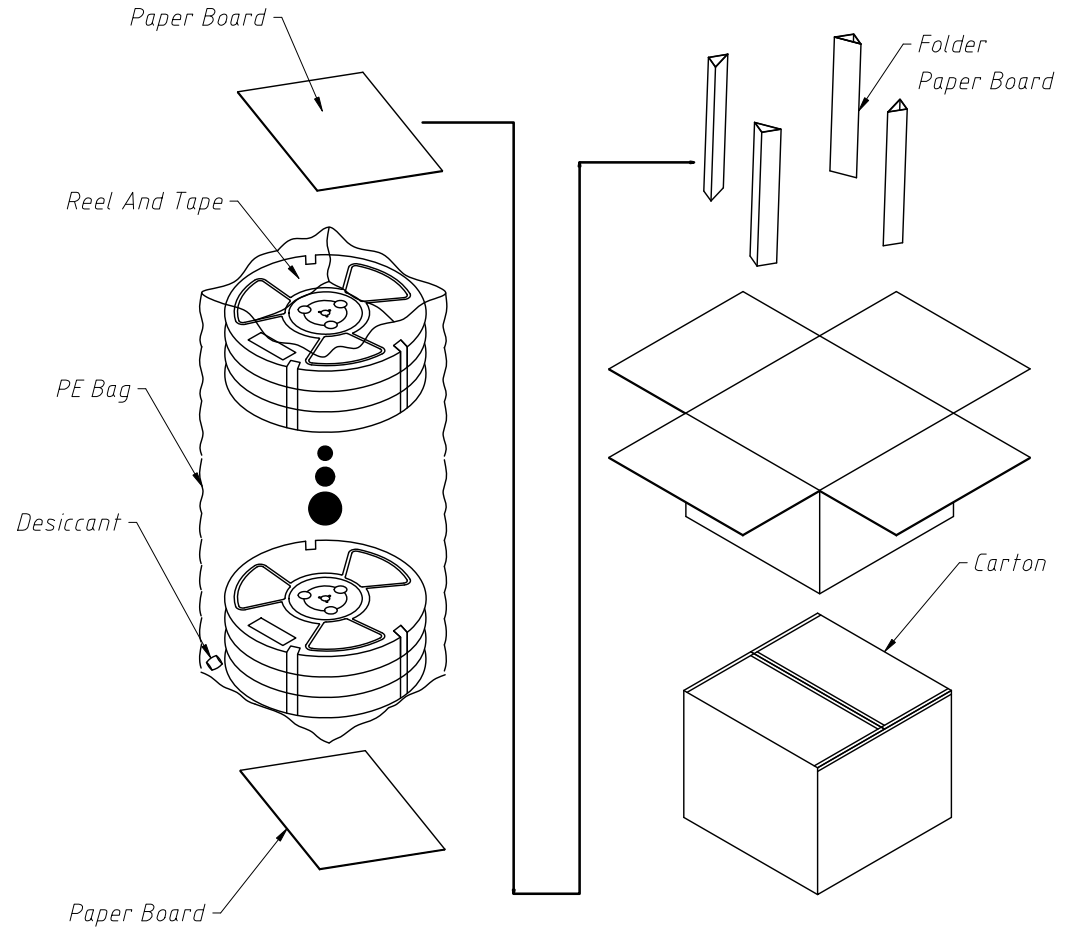
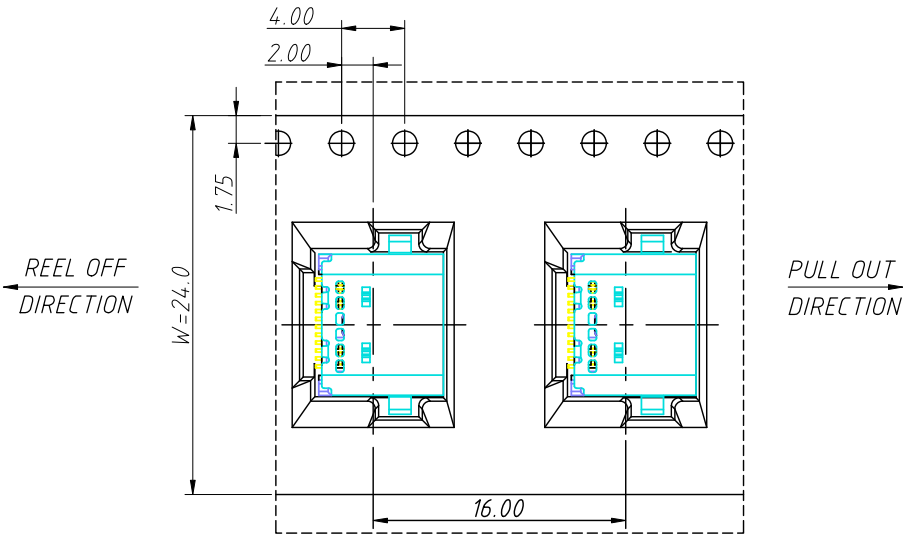
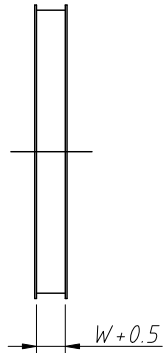
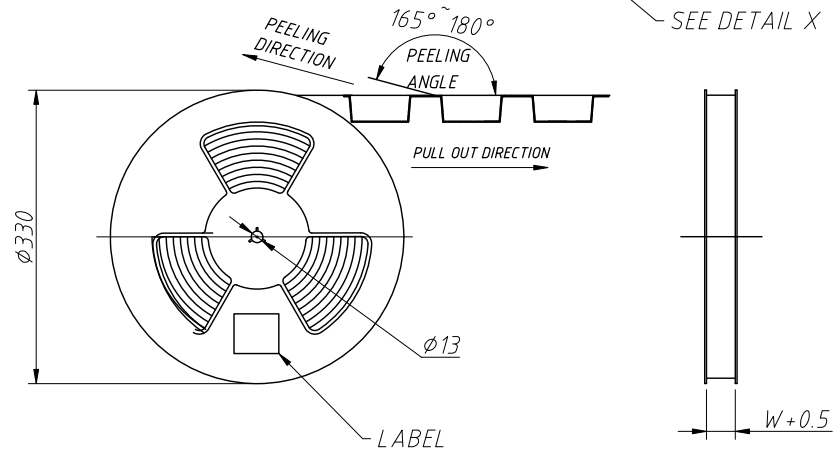
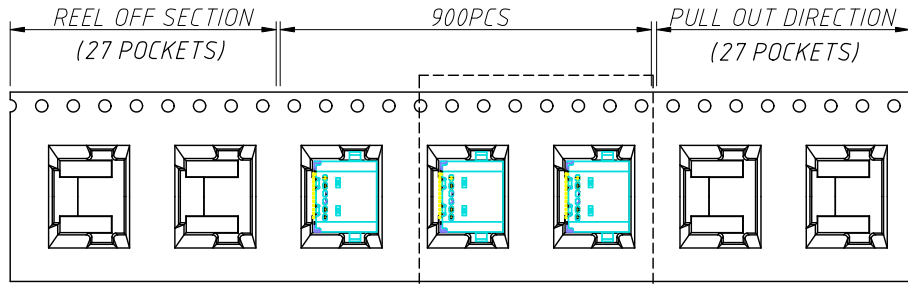
USB TYPE-C Pin Assignments

Pin	Signal Name	Pin	Signal Name
A1	GND	B12	GND
A2	TXp1	B11	RXp1
A3	TXn1	B10	RXn1
A4	VBUS	B9	VBUS
A5	CC1	B8	SBU2
A6	DP1	B7	DN2
A7	DN1	B6	DP2
A8	SBU1	B5	CC2
A9	VBUS	B4	VBUS
A10	RXn2	B3	TXn2
A11	RXp2	B2	TXp2
A12	GND	B1	GND

ANGLE TOLERANCE	PROJECTION	Description:	USB Connector	
±3°				
GENERAL TOLERANCE	UNITS	mm	KLS P/N:	L-KLS1-5404-XX-R
.x ±0.30	SHEET SIZE	A4	2 Of 3	NingBo KLS ELECTRONIC CO.,L TD.
.xx ±0.20	Draw:	Song	2024-06-27	
.xxx ±0.10	Check:	Daniel	2024-06-27	

1 RoHS Compliance

REV	SYM	Revision Record	Appr.	Date
V0	KLS01640	New Version Release	Song	2024-06-27



Notes:  
900PCS/Reel, 9000PCS/Carton

ANGLE TOLERANCE	PROJECTION	Description:	USB Connector	
$\pm 3^{\circ}$				
GENERAL TOLERANCE	UNITS	mm	KLS P/N:	L-KLS1-5404-XX-R
.x $\pm 0.30$	SHEET SIZE	A4	3 Of 3	NingBo KLS ELECTRONIC CO.,LTD.
.xx $\pm 0.20$	Draw:	Song	2024-06-27	
.xxx $\pm 0.10$	Check:	Daniel	2024-06-27	