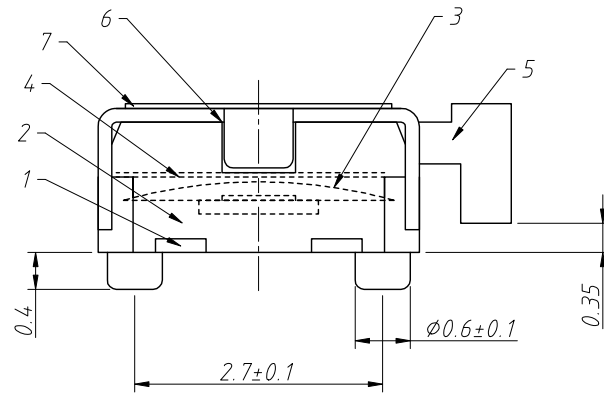
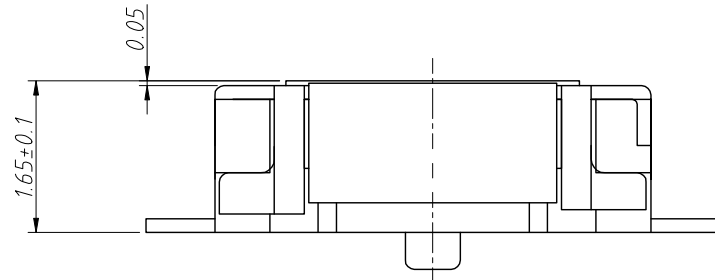


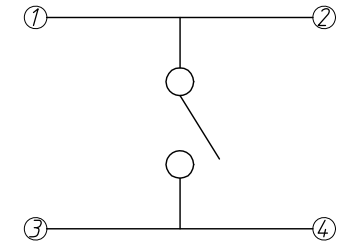
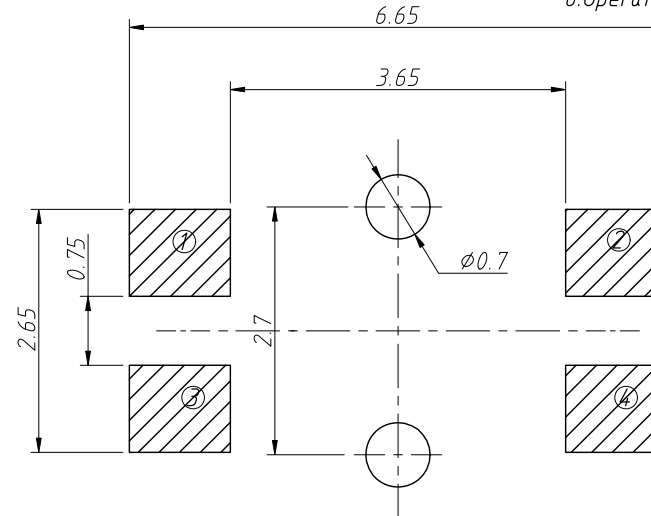
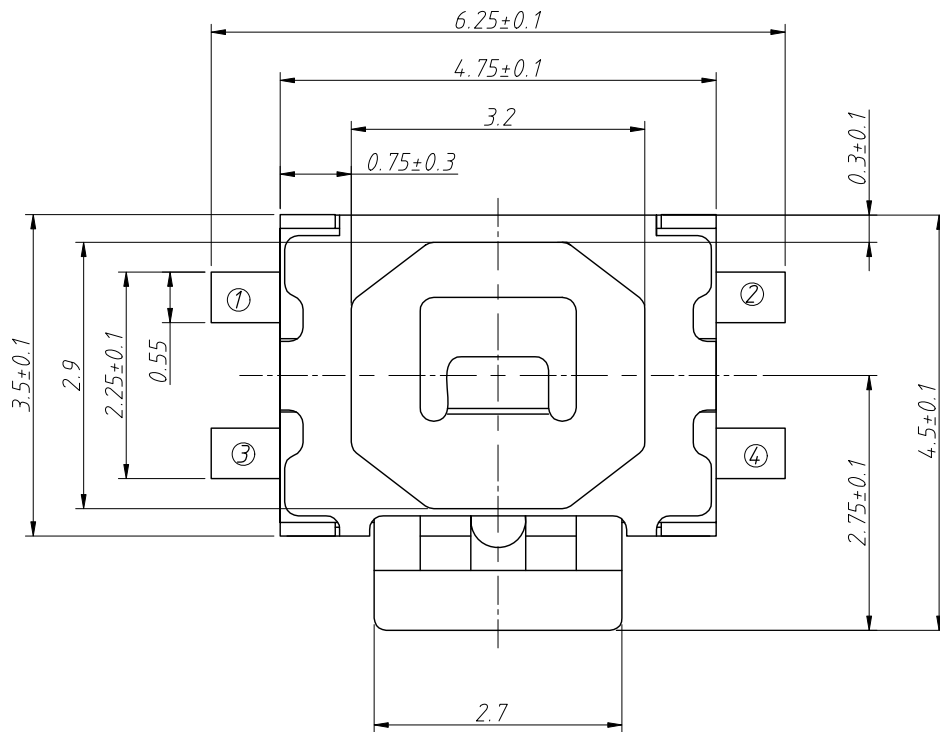
1 RoHS Compliance

REV	SYM	Revision Record	Appr.	Date
V0	KLS07133	New Version Release	Song	2024-07-17



- Materials:
- 1.Cards:Phosphorous Copper,Silver Plating
  - 2.Base:PPA,Black
  - 3.Shrapnel:Imported Stainless Steel, Coated With Silver
  - 4.Dust Film:Polyimide
  - 5.Push Button:PA46,Grey
  - 6.Cover:Stainless Steel 0.05,Acid Pickling
  - 7.Outside The Dust:Polyimide

- Electrical:
- 1.Rating:50mA 12V DC
  - 2.Contact Resistance:200mΩ Max.
  - 3.Insulation Resistance:100MΩ Min,100V DC
  - 4.Dielectric voltage proof:250V AC for 1min
  - 5.The decay value after high temperature of 260°C is within 20% of the initial value
  - 6.Operating Force: 250±50gf



Schematic Diagram

Installation Reference Diagram

ANGLE TOLERANCE	PROJECTION	Description:	Tact Switch	
±3°				
GENERAL TOLERANCE	UNITS	mm	KLS P/N:	L-KLS7-TS6335-1.65-250-T
.x ±0.30	SHEET SIZE	A4		
.xx ±0.20	Draw:	Song	2024-07-17	NingBo KLS ELECTRONIC CO.,L TD.
.xxx ±0.10	Check:	Daniel	2024-07-17	