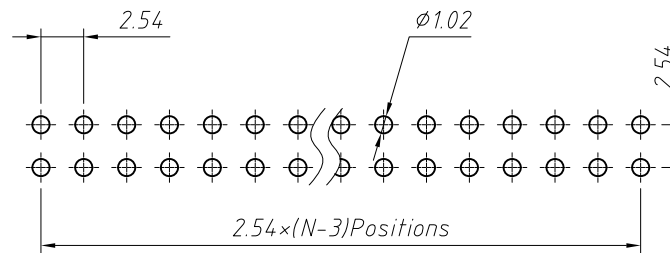
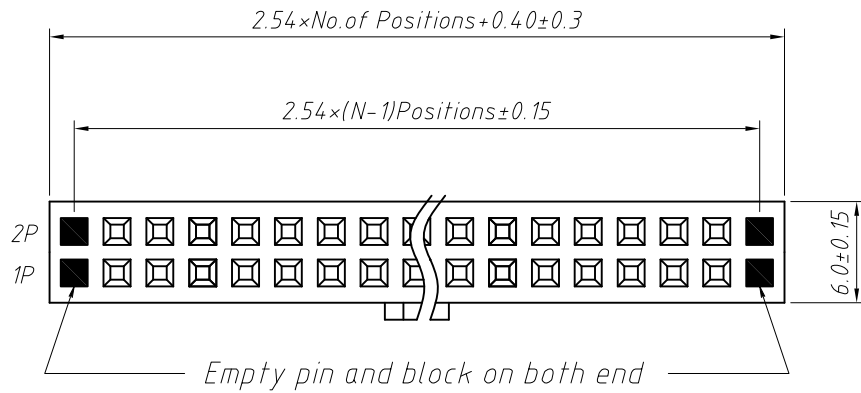


RoHS Compliance

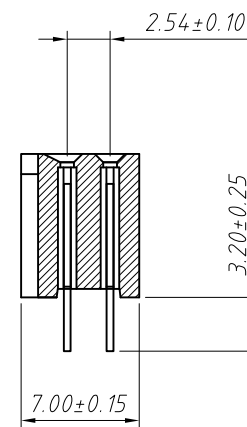
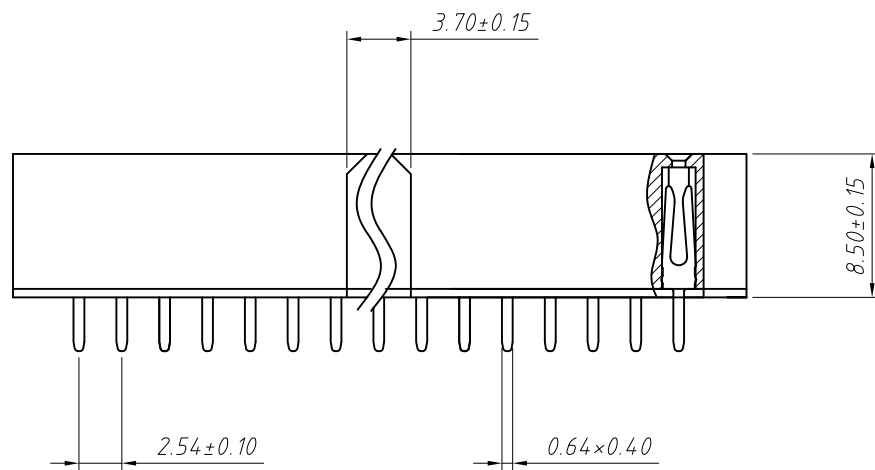


Recommended PCB Layout (Top Side)  
(PCB Board Tolerance  $\pm 0.05$ )

**Material:**  
Standard: PBT/PA6T  
Contact: Brass, Au or Sn Over Ni  
Insulator: Polyester, UL 94 V-0

**Electrical Characteristics:**  
Rated Current: 3.0AMP  
Contact Resistance: 20m $\Omega$  Max  
Withstand Voltage: 1000V AC/DC  
Insulator Resistance: 1000M $\Omega$  Min

**Mechanical**  
Operating Temperature:  $-40^{\circ}\text{C} \sim +105^{\circ}\text{C}$   
Max. Processing Temp:  $230^{\circ}\text{C}$  for 30-60 seconds ( $260^{\circ}\text{C}$  for 10 seconds)

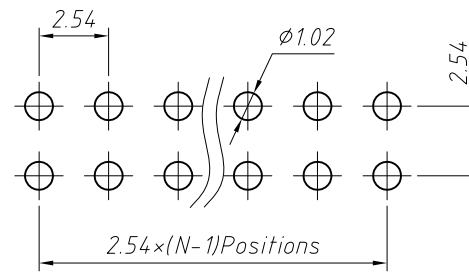
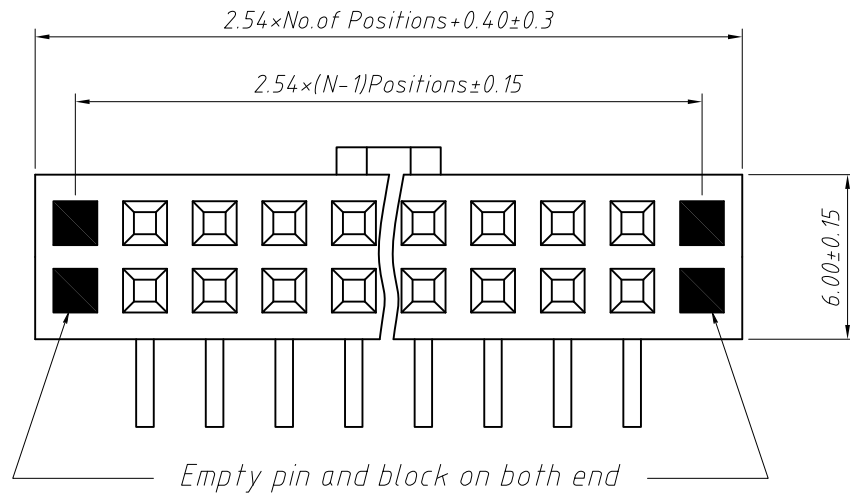


**Order Information:**  
L-KLS1-219X-2-XX-S-B  
L: RoHS  
Pin Header Series  
219X: 2.54mm  
Per Row: Double layer  
Pin: No. of Pins (02~80)  
Type: Straight Pin  
Material: A=PBT B=PA6T C=LCP

ANGLE TOLERANCE	PROJECTION	Description:	2.54x8.5mm Female Header Double layer, Straight Pin, 2xN Pin	
$\pm 3^{\circ}$				
GENERAL TOLERANCE	UNITS	mm	KLS P/N:	L-KLS1-219X-2-XX-S-B
x.x $\pm 0.30$	SHEET SIZE	A4		
x.xx $\pm 0.20$	Draw:	Daniel	2018-07-10	
x.xxx $\pm 0.10$	Check:	Daniel	2018-07-10	

NingBo KLS ELECTRONIC CO., L TD.

1 RoHS Compliance

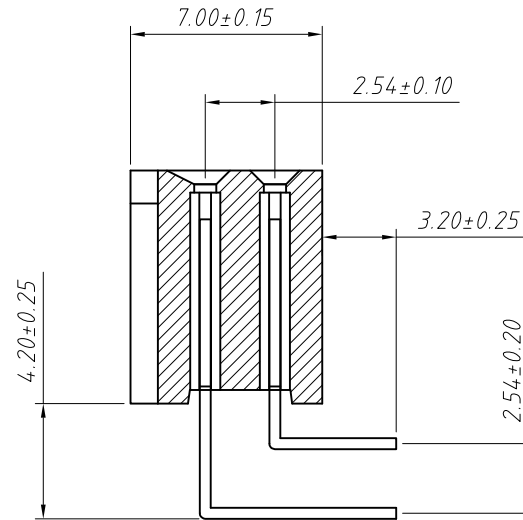
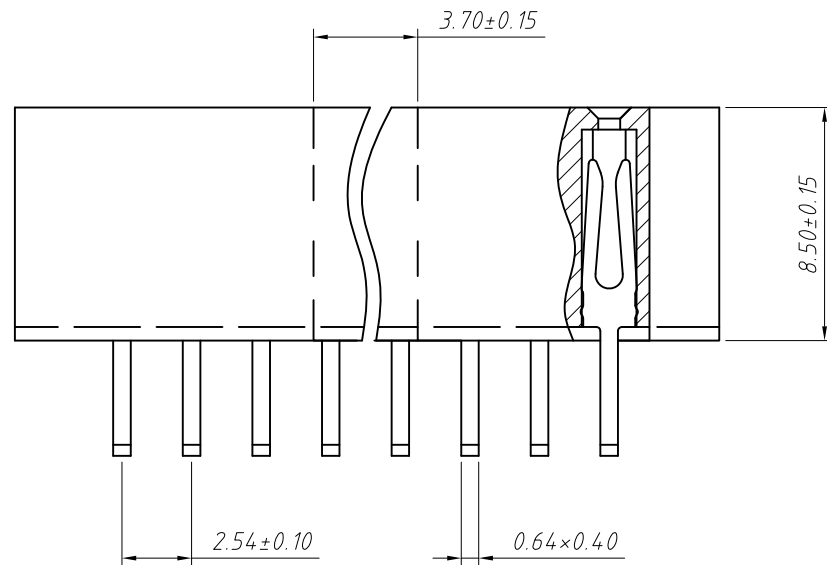


Recommended PCB Layout (Top Side)  
(PCB Board Tolerance  $\pm 0.05$ )

**Material:**  
Standard: PBT/PA6T  
Contact: Brass, Au or Sn 50n" Ni  
Insulator: Polyester, UL94V-0

**Electrical Characteristics:**  
Rated Current: 3.0AMP  
Contact Resistance: 20m $\Omega$  Max  
Withstand Voltage: 1000V AC/DC  
Insulator Resistance: 1000M $\Omega$  Min

**Mechanical**  
Operating Temperature:  $-40^{\circ}\text{C} \sim +105^{\circ}\text{C}$   
Max. Processing Temp:  $180^{\circ}\text{C}$  for 30-60 seconds ( $200^{\circ}\text{C}$  for 10 seconds)



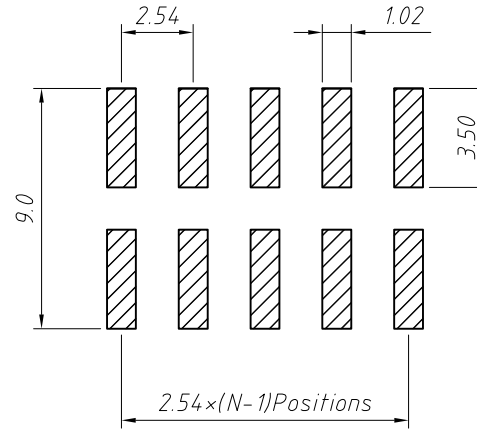
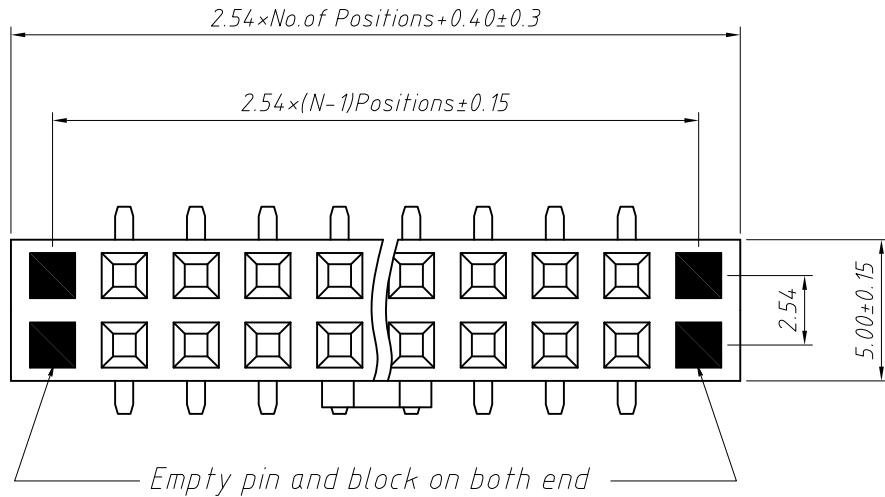
**Order Information:**  
L-KLS1-219X-2-XX-R-A

L: RoHS  
Pin Header Series  
219X: 2.54mm  
Per Row: Double layer  
Pin: No. of Pins (02 ~ 80)  
Type: Right Angle Pin  
Material: A=PBT B=PA6T C=LCP

ANGLE TOLERANCE	PROJECTION	Description:
$\pm 3^{\circ}$		2.54x8.5mm Female Header Double layer, Right Angle Pin, 2xN Pin
GENERAL TOLERANCE	UNITS	mm
x.x $\pm 0.30$	SHEET SIZE	A4
x.xx $\pm 0.20$	Draw:	Daniel 2018-07-10
x.xxx $\pm 0.10$	Check:	Daniel 2018-07-10

NingBo KLS ELECTRONIC CO.,L TD.

1 RoHS Compliance

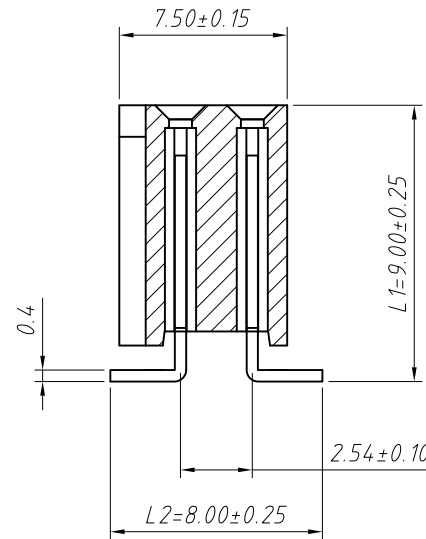
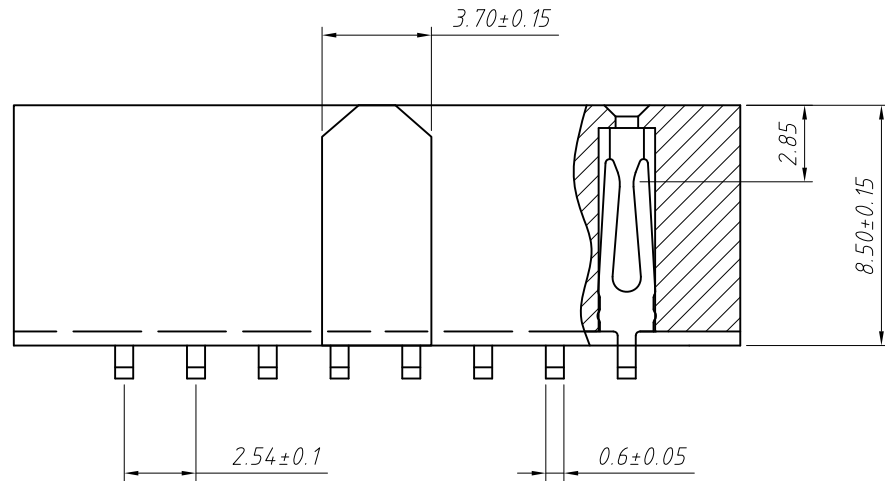


Recommended PCB Hole Layout

**Material:**  
 Standard: PA6T  
 Contact: Brass  
 Contact plating: Au or Sn over 50u" Ni  
 Nickel Insulator: Polyester, UL94V-0

**Electrical Characteristics:**  
 Rated Current: 3.0AMP  
 Contact Resistance: 20mΩ Max  
 Withstand Voltage: 1000V AC/DC  
 Insulator Resistance: 1000MΩ Min

**Mechanical**  
 Operating Temperature:  $-40^{\circ}\text{C} \sim +105^{\circ}\text{C}$   
 Max. Processing Temp:  $230^{\circ}\text{C}$  for 30-60 seconds ( $260^{\circ}\text{C}$  for 10 seconds)



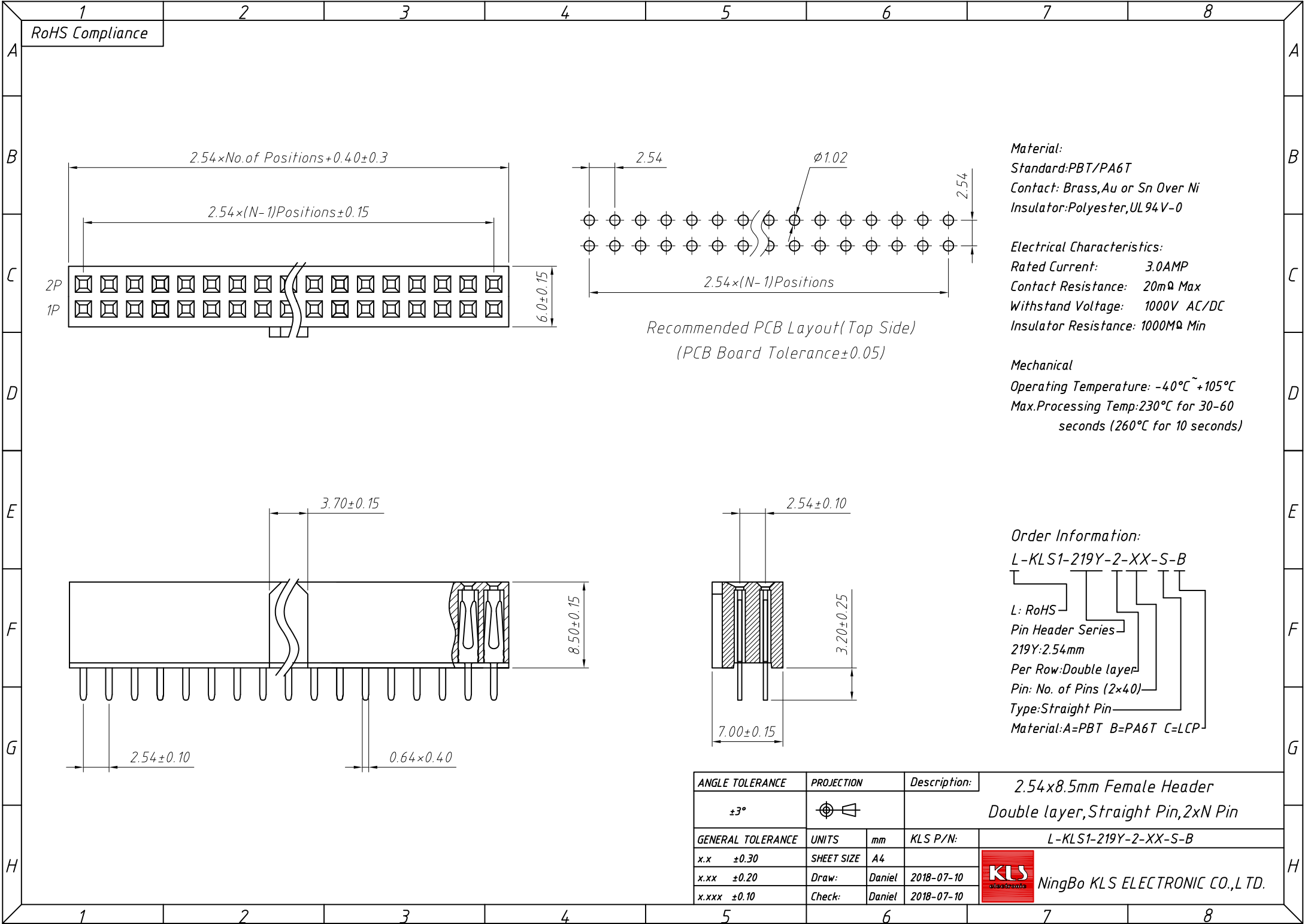
**Order Information:**  
 L-KLS1-219X-2-XX-T-L1xL2-B-R

L: RoHS  
 Pin Header Series  
 219X: 2.54mm  
 Per Row: Double layer  
 Pin: No. of Pins (02~80)  
 SMT Pin:  
 T=Without Post, T3=With Post  
 Size: L1xL2  
 Material: A=PBT B=PA6T C=LCP  
 Packing:  
 A=Tray T=Tube M=Reel+Mylar  
 P=Tube+Cap R=Reel+Cap

Dimension antitheses list (mm)			
ITEM	L1	L2	Plastic Height
Standard	9.00	8.00	8.50
Nonstandard	---	---	---

ANGLE TOLERANCE	PROJECTION	Description:
$\pm 3^{\circ}$		2.54x8.5mm Female Header Double layer, SMT Pin, 2xN Pin
GENERAL TOLERANCE	UNITS	mm
x.x	$\pm 0.30$	SHEET SIZE A4
x.xx	$\pm 0.20$	Draw: Daniel 2018-07-10
x.xxx	$\pm 0.10$	Check: Daniel 2018-07-10
L-KLS1-219X-2-XX-T-L1xL2-B-R		
NingBo KLS ELECTRONIC CO.,L TD.		

1  
RoHS Compliance



**Material:**  
 Standard:PBT/PA6T  
 Contact: Brass,Au or Sn Over Ni  
 Insulator:Polyester,UL94V-0

**Electrical Characteristics:**  
 Rated Current: 3.0AMP  
 Contact Resistance: 20mΩ Max  
 Withstand Voltage: 1000V AC/DC  
 Insulator Resistance: 1000MΩ Min

**Mechanical**  
 Operating Temperature: -40°C ~ +105°C  
 Max.Processing Temp:230°C for 30-60 seconds (260°C for 10 seconds)

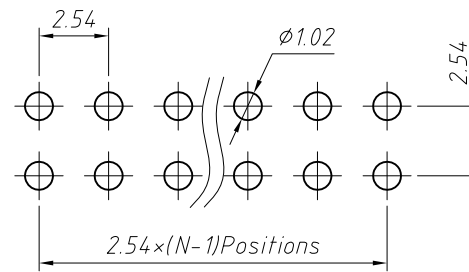
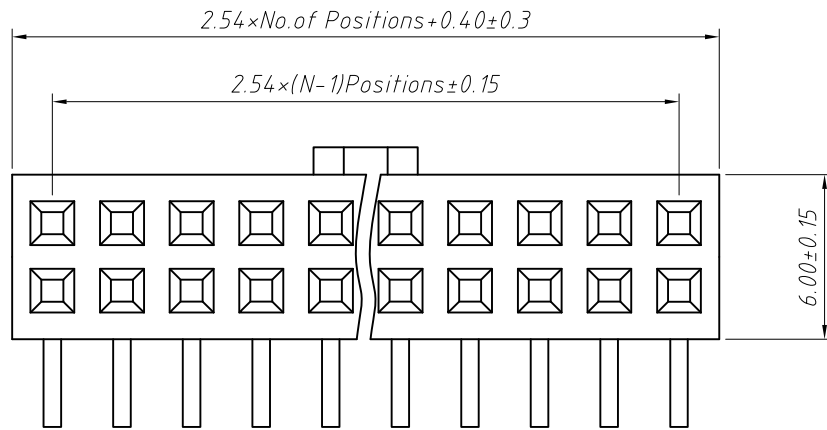
**Order Information:**  
 L-KLS1-219Y-2-XX-S-B

- L: RoHS
- Pin Header Series
- 219Y:2.54mm
- Per Row:Double layer
- Pin: No. of Pins (2x40)
- Type: Straight Pin
- Material:A=PBT B=PA6T C=LCP

ANGLE TOLERANCE	PROJECTION	Description:	2.54x8.5mm Female Header
±3°			Double layer, Straight Pin, 2xN Pin
GENERAL TOLERANCE	UNITS	mm	KLS P/N:
x.x ±0.30	SHEET SIZE	A4	L-KLS1-219Y-2-XX-S-B
x.xx ±0.20	Draw:	Daniel	2018-07-10
x.xxx ±0.10	Check:	Daniel	2018-07-10



1 RoHS Compliance

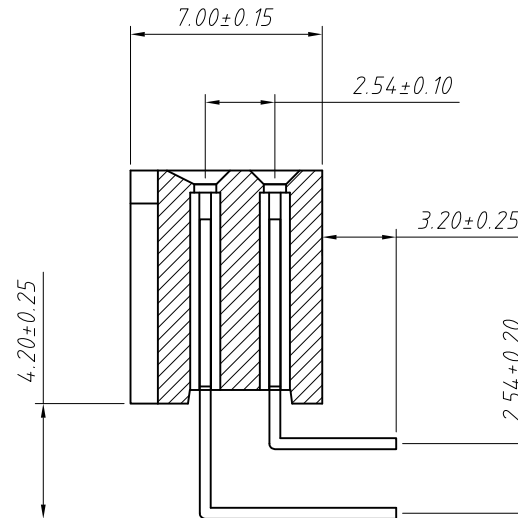
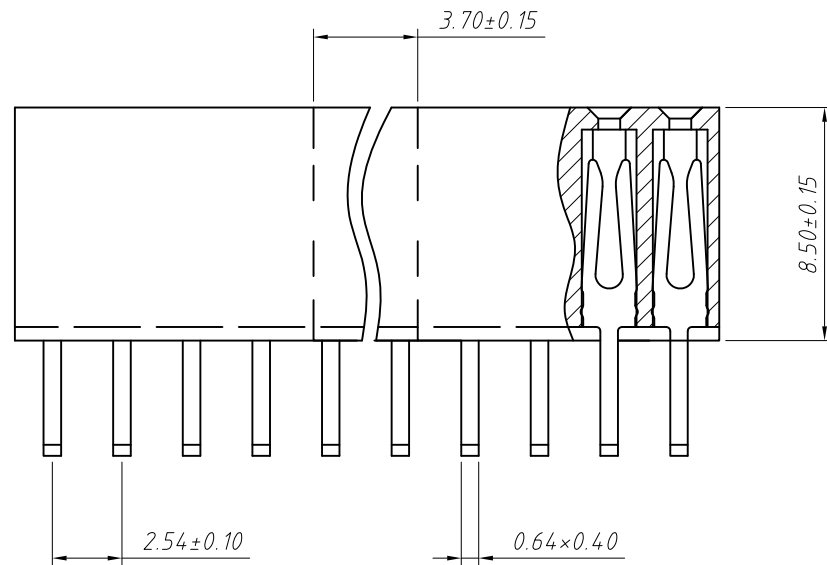


Recommended PCB Layout (Top Side)  
(PCB Board Tolerance  $\pm 0.05$ )

Material:  
Standard: PBT/PA6T  
Contact: Brass, Au or Sn 50n" Ni  
Insulator: Polyester, UL94V-0

Electrical Characteristics:  
Rated Current: 3.0AMP  
Contact Resistance: 20m $\Omega$  Max  
Withstand Voltage: 1000V AC/DC  
Insulator Resistance: 1000M $\Omega$  Min

Mechanical  
Operating Temperature:  $-40^{\circ}\text{C} \sim +105^{\circ}\text{C}$   
Max. Processing Temp:  $180^{\circ}\text{C}$  for 30-60 seconds ( $200^{\circ}\text{C}$  for 10 seconds)

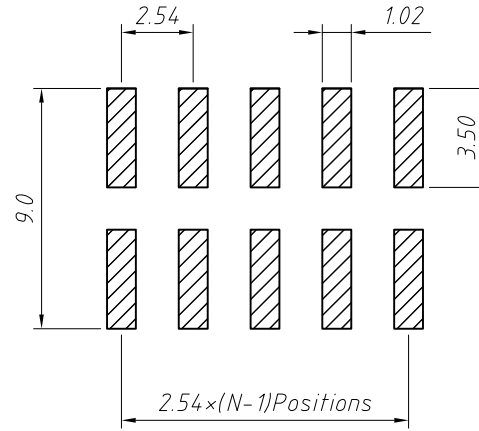
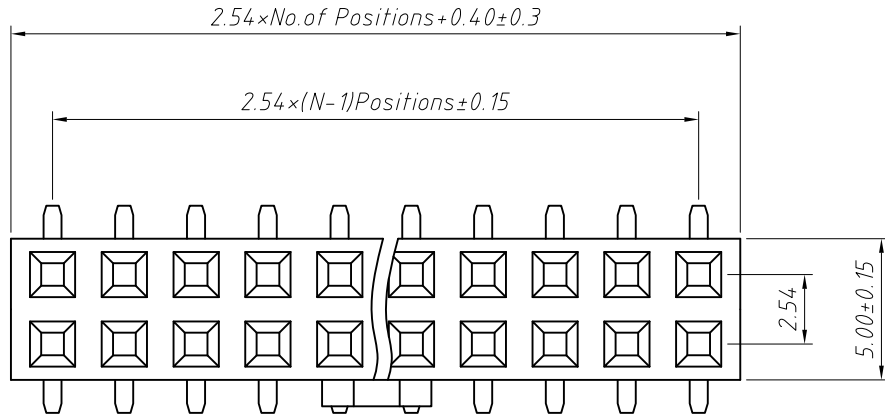


Order Information:  
L-KLS1-219Y-2-XX-R-A  
L: RoHS  
Pin Header Series  
219Y: 2.54mm  
Per Row: Double layer  
Pin: No. of Pins (02~80)  
Type: Right Angle Pin  
Material: A=PBT B=PA6T C=LCP

ANGLE TOLERANCE	PROJECTION	Description:	2.54x8.5mm Female Header	
$\pm 3^{\circ}$			Double layer, Right Angle Pin, 2xN Pin	
GENERAL TOLERANCE	UNITS	mm	KLS P/N:	L-KLS1-219Y-2-XX-R-A
x.x $\pm 0.30$	SHEET SIZE	A4		
x.xx $\pm 0.20$	Draw:	Daniel	2018-07-10	
x.xxx $\pm 0.10$	Check:	Daniel	2018-07-10	

NingBo KLS ELECTRONIC CO.,LTD.

1 RoHS Compliance

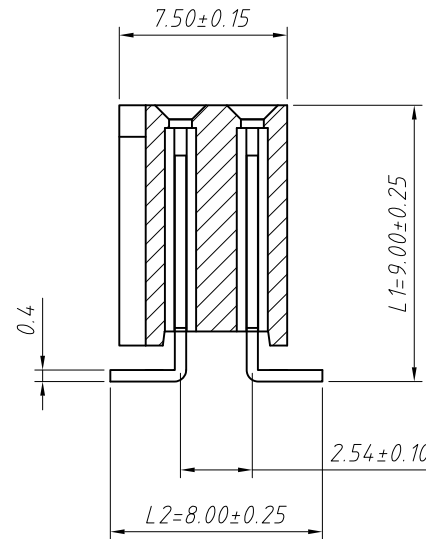
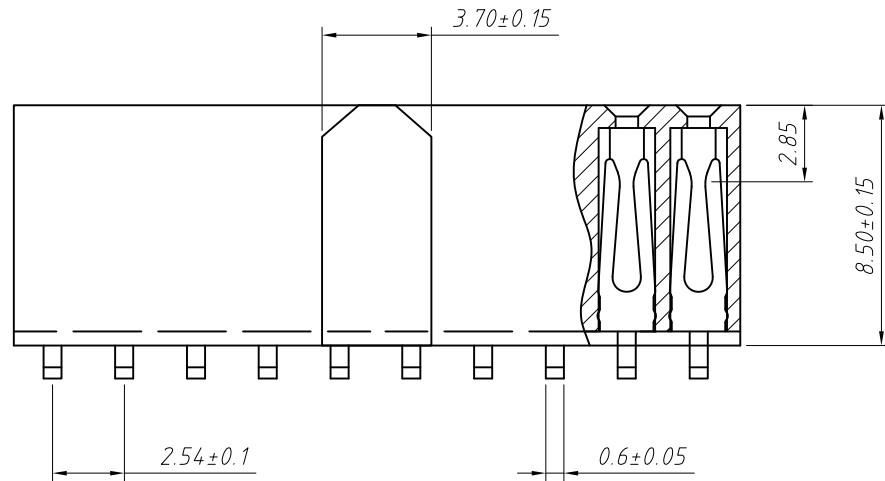


Recommended PCB Hole Layout

**Material:**  
 Standard: PA6T  
 Contact: Brass  
 Contact plating: Au or Sn over 50u" Ni  
 Nickel Insulator: Polyester, UL 94 V-0

**Electrical Characteristics:**  
 Rated Current: 3.0AMP  
 Contact Resistance: 20mΩ Max  
 Withstand Voltage: 1000V AC/DC  
 Insulator Resistance: 1000MΩ Min

**Mechanical**  
 Operating Temperature: -40°C ~ +105°C  
 Max. Processing Temp: 230°C for 30-60 seconds (260°C for 10 seconds)



**Order Information:**  
 L-KLS1-219Y-2-XX-T-L1xL2-B-R

L: RoHS  
 Pin Header Series  
 219Y: 2.54mm  
 Per Row: Double layer  
 Pin: No. of Pins (02 ~ 80)  
 SMT Pin:  
 T=Without Post, T3=With Post  
 Size: L1xL2  
 Material: A=PBT B=PA6T C=LCP  
 Packing:  
 A=Tray T=Tube M=Reel+Mylar  
 P=Tube+Cap R=Reel+Cap

Dimension antitheses list (mm)			
ITEM	L1	L2	Plastic Height
Standard	9.00	8.00	8.50
Nonstandard	---	---	---

ANGLE TOLERANCE	PROJECTION	Description:	
±3°		2.54x8.5mm Female Header Double layer, SMT Pin, 2xN Pin	
GENERAL TOLERANCE	UNITS	mm	KLS P/N:
x.x ±0.30	SHEET SIZE	A4	L-KLS1-219Y-2-XX-T-L1xL2-B-R
x.xx ±0.20	Draw:	Daniel	2018-07-10
x.xxx ±0.10	Check:	Daniel	2018-07-10



NingBo KLS ELECTRONIC CO.,L TD.