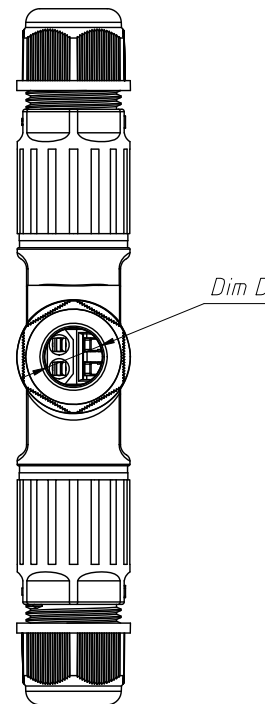
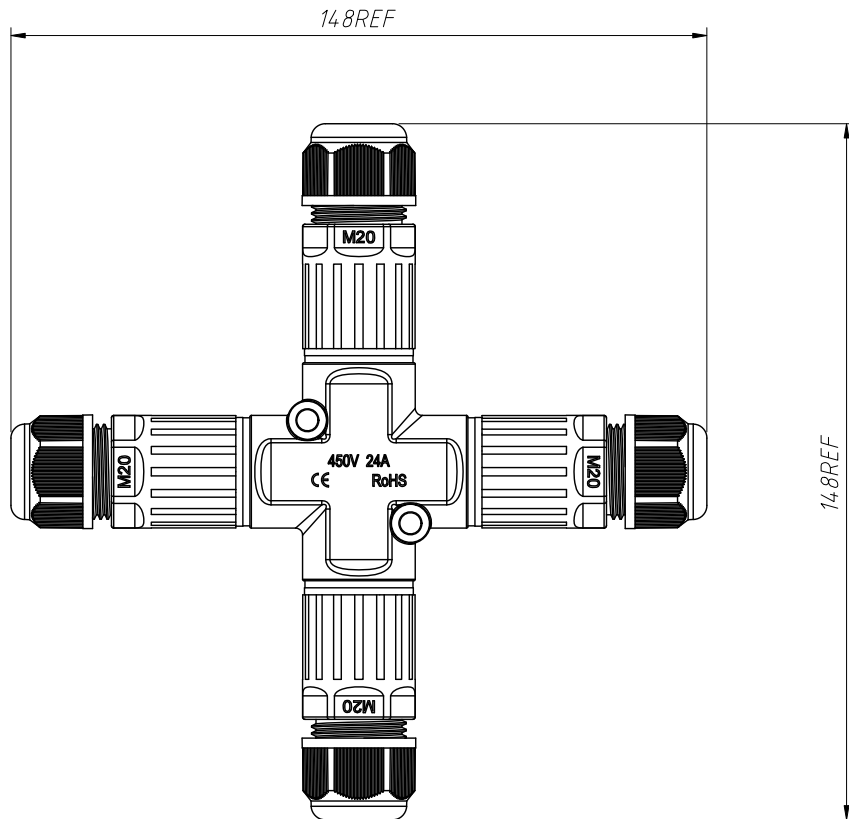


1 RoHS Compliance

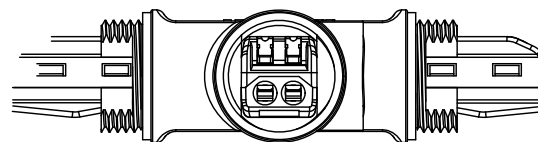
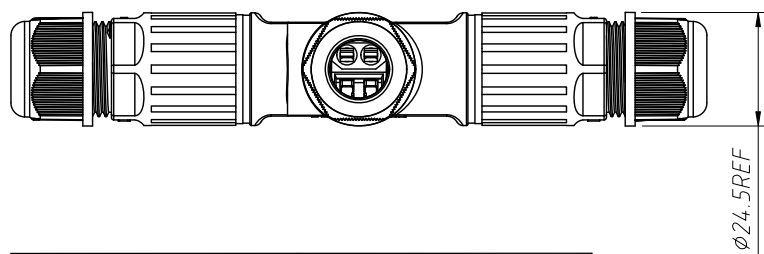
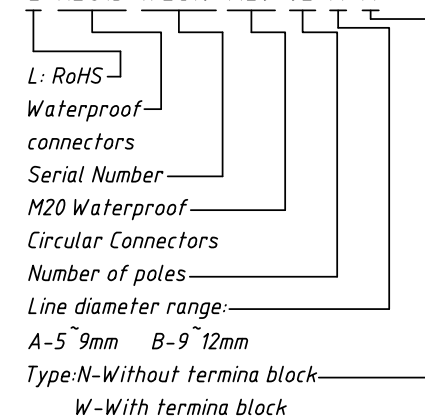
REV	SYM	Revision Record	Appr.	Date
V0	KLS33029	New Version Release	Jenny	2024-06-15



Material:  
 Housing:PA66,UL 94 V-0,Black  
 Contact:Copper Alloy,Nickel plated  
 IP rating:IP68  
 Number of poles:02P

Electrical:  
 Rated current:24A  
 Rated voltage:AC 450V  
 Withstand voltage: AC 2500V  
 Wire section:0.5~2.5mm<sup>2</sup>  
 Operating temperature:-40°C~+105°C  
 Certification:RoHS/CE

Order Information:  
 L-KLS15-WEC10-M20-02-X-X



2Pin Connector

$\phi 11.5\text{mm}$	$\phi 9-12\text{mm}$
$\phi 8.5\text{mm}$	$\phi 5-9\text{mm}$
Rubbers Diameter D	Outer Cable Diameter

ANGLE TOLERANCE	PROJECTION	Description:	M20 Waterproof Circular Connectors, IP68,Quick Terminal
$\pm 3^\circ$			
GENERAL TOLERANCE	UNITS	mm	KLS P/N: L-KLS15-WEC10-M20-02-X-X
x. $\pm 0.35$	SHEET SIZE	A4	
x.x $\pm 0.20$	Draw:	Jenny	2024-06-15
x.xx $\pm 0.10$	Check:	Daniel	2024-06-15

NingBo KLS ELECTRONIC CO.,L TD.