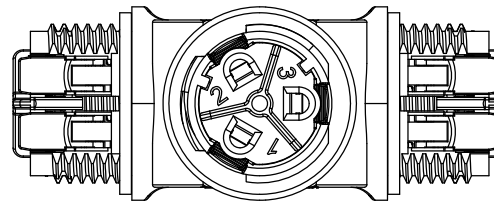
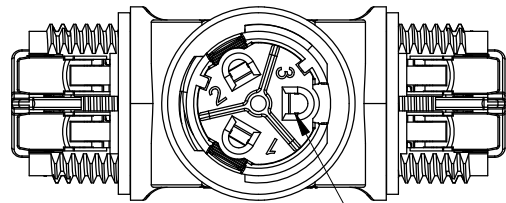


1 RoHS Compliance

REV	SYM	Revision Record	Appr.	Date
V0	KLS33029	New Version Release	Jenny	2024-06-18

2 Pin Connector

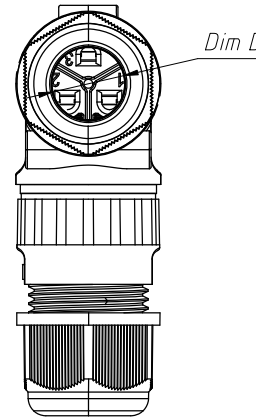
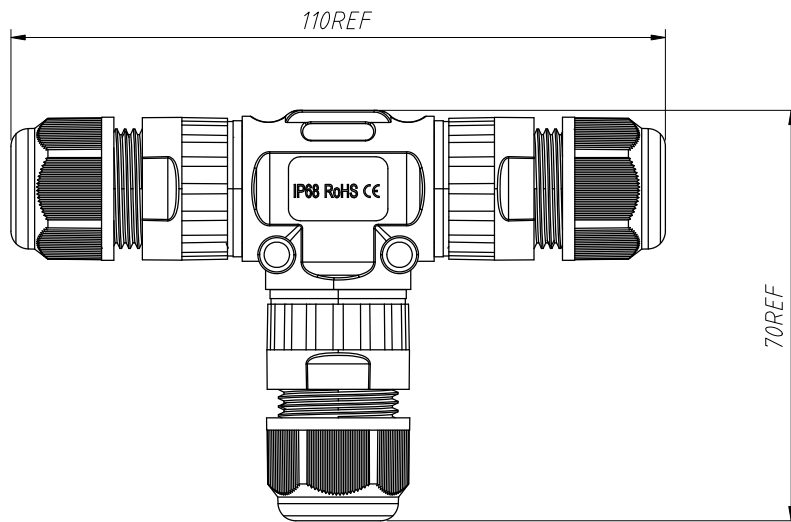
3 Pin Connector



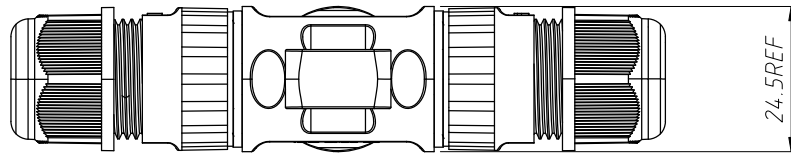
Lack No.3 Pin

Material:  
 Housing:PA66,UL 94 V-0,Black  
 Contact:Copper Alloy,Nickel plated  
 IP rating:IP68  
 Number of poles:02P/03P

Electrical:  
 Rated current:16A  
 Rated voltage:AC 450V  
 Withstand voltage: AC 1500V  
 Wire section:0.5~2.5mm<sup>2</sup>  
 Operating temperature:-40°C~+105°C  
 Certification:RoHS/CE



Order Information:  
 L-KLS15-WEC07-M20-XX-X  
 L: RoHS  
 Waterproof  
 connectors  
 Serial Number  
 M20 Waterproof  
 Circular Connectors  
 Number of poles  
 Line diameter range:  
 A-5~9mm B-9~12mm



∅11.5mm	∅9-12mm
∅8.5mm	∅5-9mm
Rubbers Diameter D	Outer Cable Diameter

ANGLE TOLERANCE	PROJECTION	Description:	M20 Waterproof Circular Connectors, IP68,Quick Terminal
±3°			
GENERAL TOLERANCE	UNITS	mm	KLS P/N: L-KLS15-WEC07-M20-XX-X
x. ±0.35	SHEET SIZE	A4	
x.x ±0.20	Draw:	Jenny	2024-06-18
x.xx ±0.10	Check:	Daniel	2024-06-18

NingBo KLS ELECTRONIC CO.,L TD.