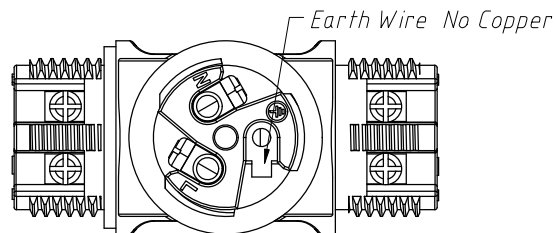
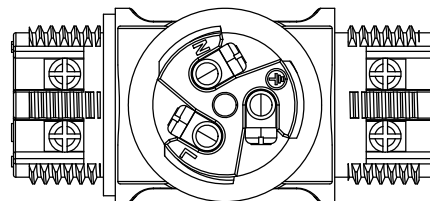


1 RoHS Compliance

REV	SYM	Revision Record	Appr.	Date
V0	KLS33029	New Version Release	Jenny	2024-06-18



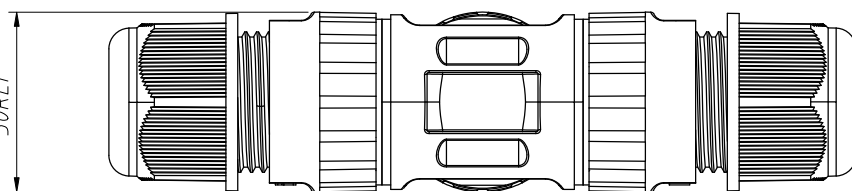
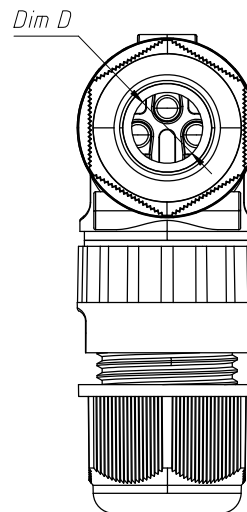
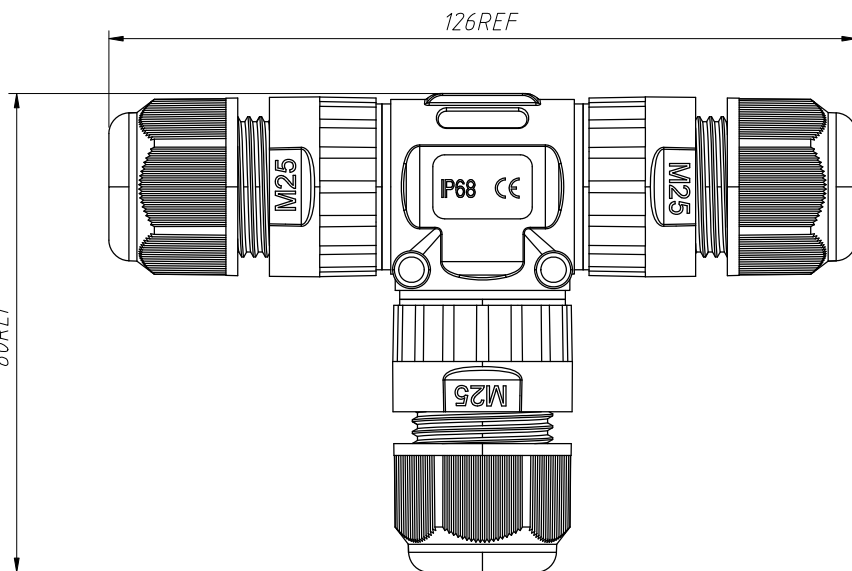
02Pin Connector



03Pin Connector

Material:  
 Housing: PA66, UL 94 V-0, Black  
 Contact: Copper Alloy, Nickel plated  
 IP rating: IP68  
 Number of poles: 2P/3P

Electrical:  
 Rated current: 41A  
 Rated voltage: AC 450V  
 Withstand voltage: AC 2500V  
 Wire section: 0.5~2.5mm<sup>2</sup>  
 Operating temperature: -40°C~+105°C  
 Certification: CQC/RoHS/CE



Order Information:

L-KLS15-WEC06-M25-XX-X

L: RoHS  
 Waterproof connectors  
 Serial Number  
 M25 Waterproof  
 Circular Connectors  
 Number of poles  
 Line diameter range:  
 A-5~9mm B-9~12mm C-10~14mm

$\phi 14.5mm$	$\phi 10-14mm$
$\phi 12mm$	$\phi 9-12mm$
$\phi 8.5mm$	$\phi 5-9mm$
Rubbers Diameter D	Outer Cable Diameter

ANGLE TOLERANCE	PROJECTION	Description:	M25 Waterproof Circular Connectors, IP68, Screw Locking Type
$\pm 3^\circ$			
GENERAL TOLERANCE	UNITS	mm	KLS P/N: L-KLS15-WEC06-M25-XX-X
x. $\pm 0.35$	SHEET SIZE	A4	
x.x $\pm 0.20$	Draw:	Jenny	2024-06-18
x.xx $\pm 0.10$	Check:	Daniel	2024-06-18



NingBo KLS ELECTRONIC CO.,L TD.