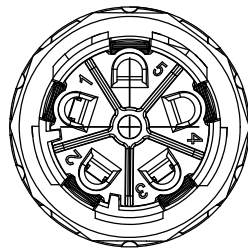


1 RoHS Compliance

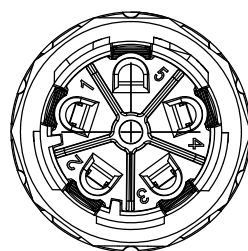
REV	SYM	Revision Record	Appr.	Date
V0	KLS33029	New Version Release	Jenny	2024-06-15



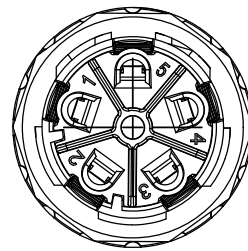
02Pin Connector



03Pin Connector



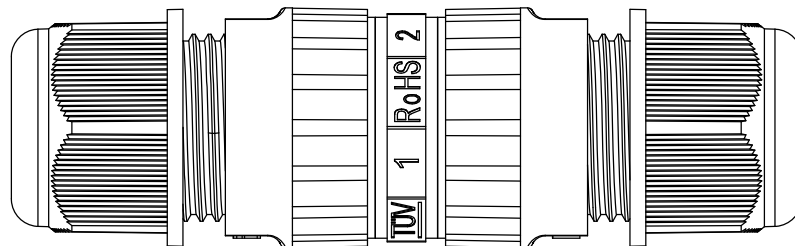
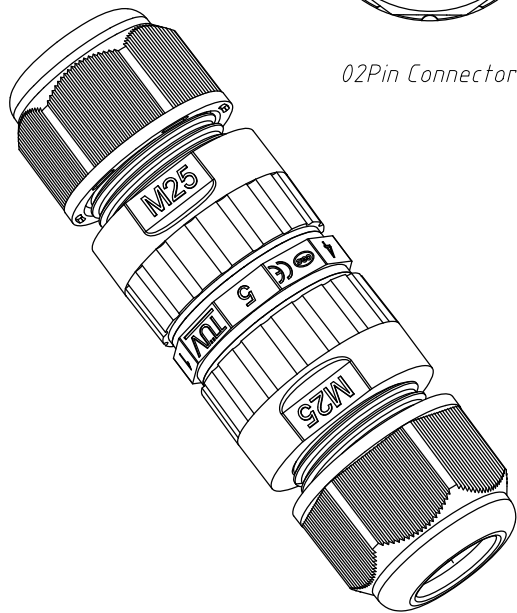
04Pin Connector



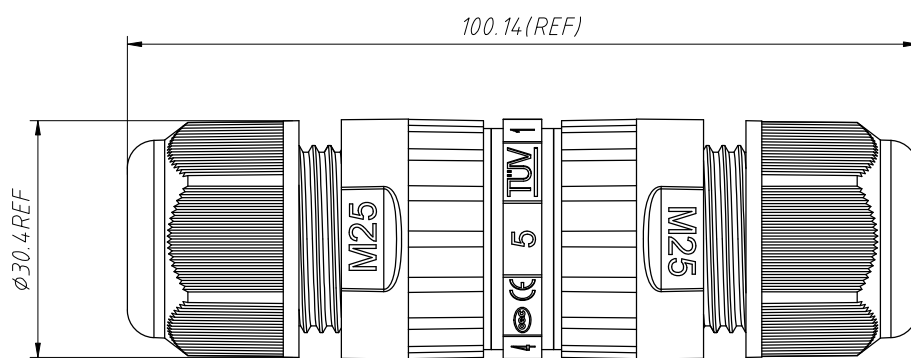
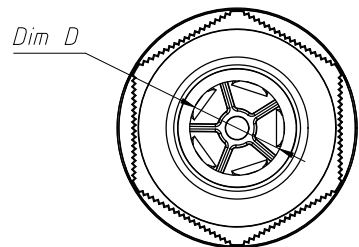
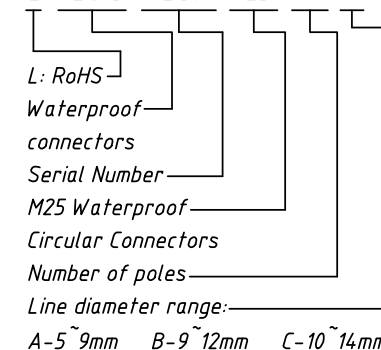
05Pin Connector

Material:
 Housing: PA66, UL 94 V-0, Black
 Contact: Copper Alloy, Nickel plated
 IP rating: IP68
 Number of poles: 2P/3P/4P/5P

Electrical:
 Rated current: 16A
 Rated voltage: AC 450V
 Withstand voltage: AC 2500V
 Wire section: 0.5~2.5mm²
 Operating temperature: -40°C~+105°C
 Certification: CQC/RoHS/CE



Order Information:
 L-KLS15-WEC01-M25-XX-X



φ14mm	φ10-14mm
φ12mm	φ9-12mm
φ8.5mm	φ5-9mm
Rubbers Diameter D	Outer Cable Diameter

ANGLE TOLERANCE	PROJECTION	Description:	M25 Waterproof Circular Connectors, IP68, Screw Locking Type
±3°			
GENERAL TOLERANCE	UNITS	mm	KLS P/N: L-KLS15-WEC01-M25-XX-X
x. ±0.35	SHEET SIZE	A4	
x.x ±0.20	Draw:	Jenny	2024-06-15
x.xx ±0.10	Check:	Daniel	2024-06-15

KLS NingBo KLS ELECTRONIC CO.,L.TD.