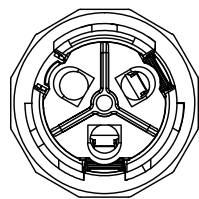
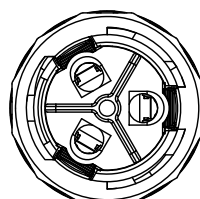


1 RoHS Compliance

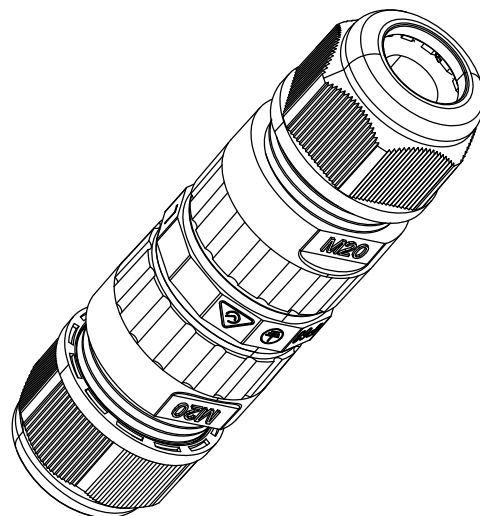
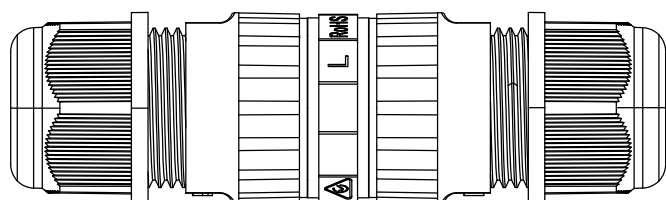
6	7	8
REV	SYM	Revision Record
V0	KLS33029	New Version Release
		Appr. Date
		Jenny 2024-06-15



02Pin Connector

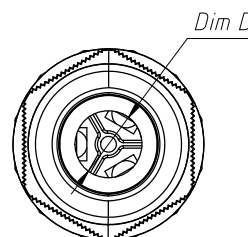
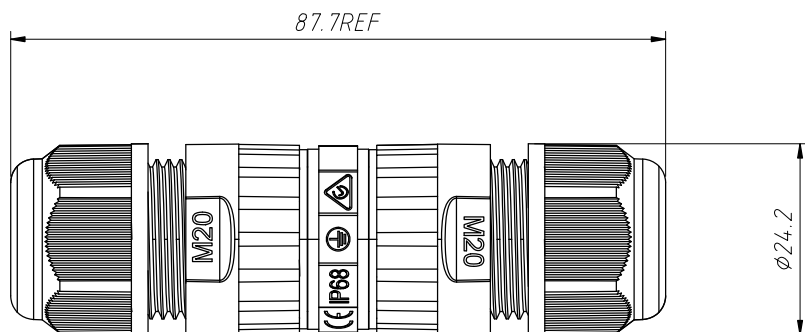


03Pin Connector

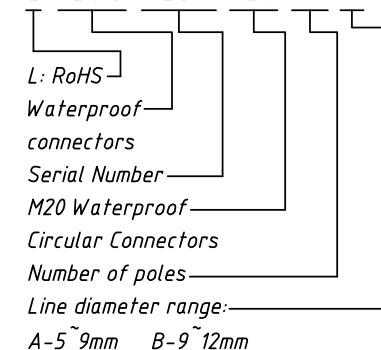


Material:
 Housing: PA66, UL 94 V-0, Black
 Contact: Copper Alloy, Nickel plated
 IP rating: IP68
 Number of poles: 2P/3P

Electrical:
 Rated current: 16A
 Rated voltage: AC 450V
 Withstand voltage: AC 2500V
 Wire section: 0.5~2.5mm²
 Operating temperature: -40°C~+105°C
 Certification: CQC/RoHS/CE/TUV/UL



Order Information:
 L-KLS15-WEC01-M20-XX-X



$\phi 11.5\text{mm}$	$\phi 9-12\text{mm}$
$\phi 8.5\text{mm}$	$\phi 5-9\text{mm}$
Rubbers Diameter D	Outer Cable Diameter

ANGLE TOLERANCE	PROJECTION	Description:	M20 Waterproof Circular Connectors, IP68, Screw Locking Type
$\pm 3^\circ$			
GENERAL TOLERANCE	UNITS	mm	KLS P/N: L-KLS15-WEC01-M20-XX-X
x. ± 0.35	SHEET SIZE	A4	
x.x ± 0.20	Draw:	Jenny	2024-06-15
x.xx ± 0.10	Check:	Daniel	2024-06-15



NingBo KLS ELECTRONIC CO.,L.TD.