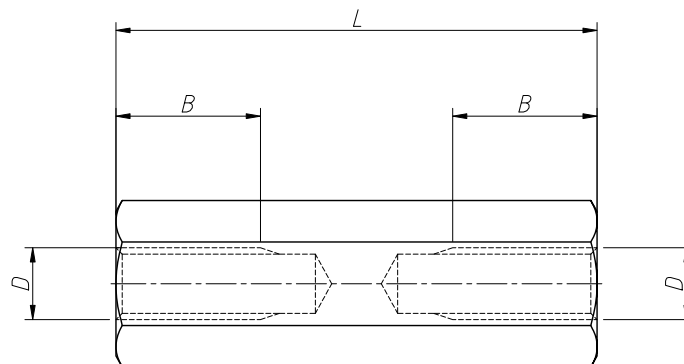
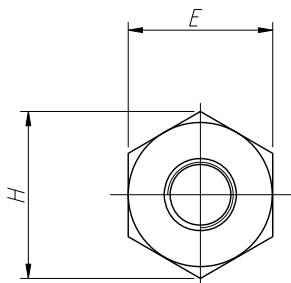


1
RoHS Compliance

REV	SYM	Revision Record	Appr.	Date
V0	KLS08063	New Version Release	Song	2024-05-27



Order Information:

L-KLS8-DBK-M2-EX-LX+B-(A)

L: RoHS
 Series NO.
 Screw D: M2, M2.5
 M3, M4, M5, M6
 Size E: Standard: 3.0 ~ 8.0
 Unstandard: 4.0 ~ 10.0
 Length: 5-60mm
 Thread Length: Standard: 6.0mm
 Unstandard: customized
 Plated Code:
 Blank: No Plated A: Ni Plated

ITEM	D	E(standard)	E(Unstandard)	H(standard)	L	B	Plated:-(A)
L-KLS8-DBK-M2-EX-LX-(A)	M2	E3.0	E4.0	3.4	5-60mm	5-20 allows for penetration, 21-60:6mm	Blank: No Plated
L-KLS8-DBK-M2-EX-LX+B-(A)	M2	E3.0	E4.0	3.4	5-60mm	According to customer requirements	
L-KLS8-DBK-M2.5-EX-LX-(A)	M2.5	E4.7	E5.0/E6.0	5.3	5-60mm	5-20 allows for penetration, 21-60:6mm	
L-KLS8-DBK-M2.5-EX-LX+B-(A)	M2.5	E4.7	E5.0/E6.0	5.3	5-60mm	According to customer requirements	
L-KLS8-DBK-M3-EX-LX-(A)	M3	E4.7	E5.0	5.3	5-60mm	5-20 allows for penetration, 21-60:6mm	
L-KLS8-DBK-M3-EX-LX+B-(A)	M3	E4.7	E5.0	5.3	5-60mm	According to customer requirements	
L-KLS8-DBK-M4-EX-LX-(A)	M4	E5.5/E6.0	E7.0	6.2/6.8	5-60mm	5-20 allows for penetration, 21-60:6mm	-A: Ni Plated
L-KLS8-DBK-M4-EX-LX+B-(A)	M4	E5.5/E6.0	E7.0	6.2/6.8	5-60mm	According to customer requirements	
L-KLS8-DBK-M5-EX-LX-(A)	M5	E7.0	E8.0	7.9	5-60mm	5-20 allows for penetration, 21-60:6mm	
L-KLS8-DBK-M5-EX-LX+B-(A)	M5	E7.0	E8.0	7.9	5-60mm	According to customer requirements	
L-KLS8-DBK-M6-EX-LX-(A)	M6	E8.0	E10.0	9.0	5-60mm	5-20 allows for penetration, 21-60:6mm	
L-KLS8-DBK-M6-EX-LX+B-(A)	M6	E8.0	E10.0	9.0	5-60mm	According to customer requirements	

Notes:

- Materials: Brass H59,
No Plated Or Ni Plated
- All Unmarked Chamfers are C0.2 Max
- All Unmarked Tolerances are GB/T1804-m

ANGLE TOLERANCE	PROJECTION	Description:	Brass Hexagonal Spacer		
±3°					
GENERAL TOLERANCE	UNITS	mm	KLS P/N:	L-KLS8-DBK	
.x ±0.30	SHEET SIZE	A4		NingBo KLS ELECTRONIC CO.,L TD.	
.xx ±0.20	Draw:	Song			2024-05-27
.xxx ±0.10	Check:	Daniel			2024-05-27