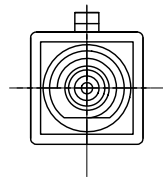
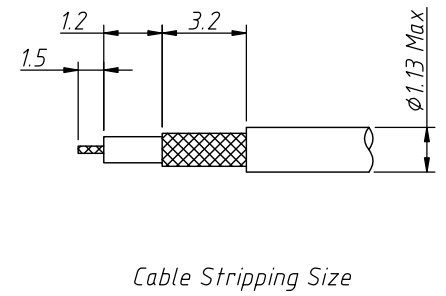
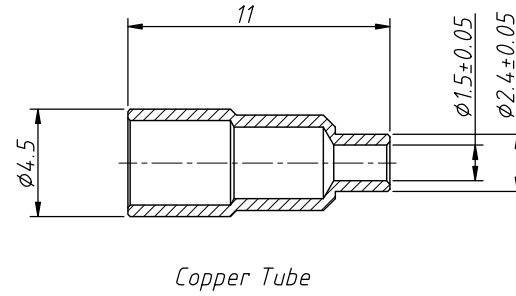
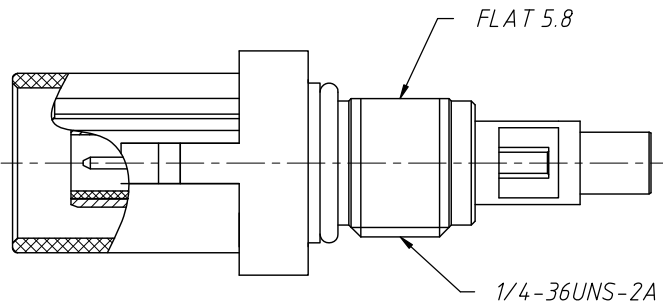
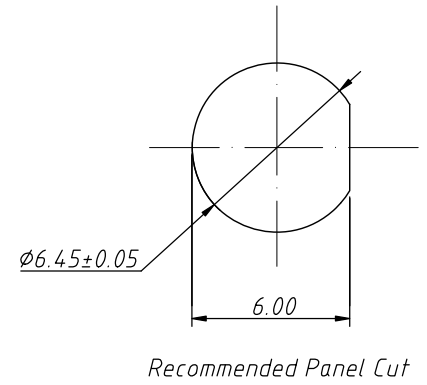
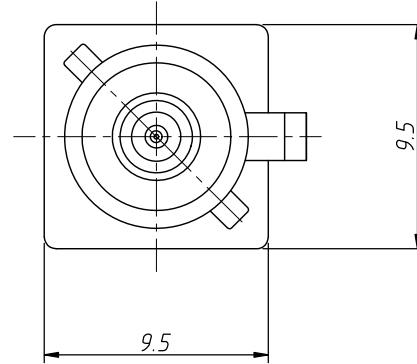
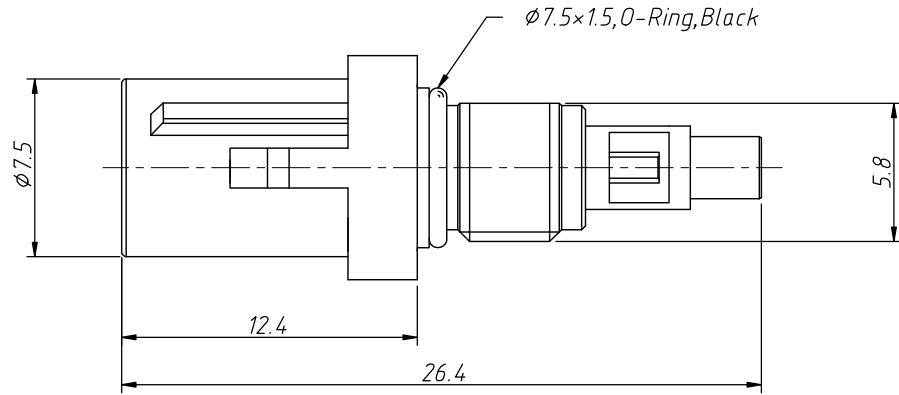
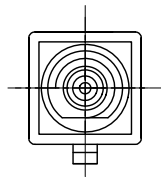


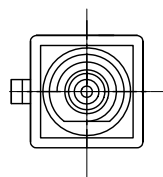
1
RoHS Compliance



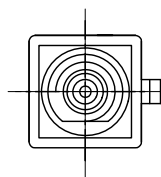
A=up



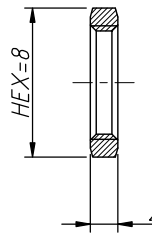
B=down



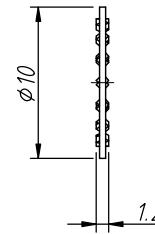
C=Left



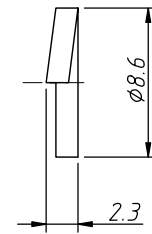
D=Right



Nut



Dental Pad



Spring Washer

ANGLE TOLERANCE	PROJECTION	Description:	FAKRA Crimp Plug Connector	
±3°				
GENERAL TOLERANCE	UNITS	mm	KLS P/N:	L-KLS1-FAKRA33-X-XXXX-1-X
x.x ±0.30	SHEET SIZE	A4	1 OF 2	
x.xx ±0.20	Draw:	Daniel	2024-06-06	NingBo KLS ELECTRONIC CO.,L TD.
x.xxx ±0.03	Check:	Daniel	2024-06-06	

1
RoHS Compliance

Card slot direction	Code	Color	RAL	Order Information
	A	Black	sim.9005	FAKRA33-A-9005-1-G
	B	White	sim.9001	FAKRA33-A-9001-1-G
	C	Blue	sim.5005	FAKRA33-A-5005-1-G
	D	Bordeaux Violet	sim.4004	FAKRA33-A-4004-1-G
	E	Green	sim.6002	FAKRA33-A-6002-1-G
	F	Brown	sim.8011	FAKRA33-A-8011-1-G
	G	Grey	sim.7031	FAKRA33-A-7031-1-G
	H	Violet	sim.4003	FAKRA33-A-4003-1-G
	I	Beige	sim.1001	FAKRA33-A-1001-1-G
	K	Curry	sim.1027	FAKRA33-A-1027-1-G
	L	Carmine Red	sim.3002	FAKRA33-A-3002-1-G
	M	Pastel orange	sim.2003	FAKRA33-A-2003-1-G
	N	Pastel Green	sim.6019	FAKRA33-A-6019-1-G
	Z	Water Blue	sim.5021	FAKRA33-A-5021-1-G

Material:

Housing:PA66+30%GF
 Copper Tube:Brass,Nickel Plating
 Insulator:PTFE
 Pin Contact:Brass,Gold Plating
 Body:Brass,Trree Element
 O-Ring:Silica gel,Black

Electrical:

Frequency Range:DC~4 GHz
 Nominal Impedance:50 ohms
 VSWR:<1.3
 Withstanding Voltage:335 V
 Insulator Resistance:1000 MΩ
 Contact Resistance:6 Milliohms Max(Center Contact)
 1 Milliohms Max(Outer Contact)
 Operating Temperature:-40°C~+85°C
 Environmental:Lead Free, RoHS compliant

Order Information

L-KLS1-FAKRA33-A-9005-1-G

RoHS

Card Slot Direction: A=up B=down C=Left D=Right

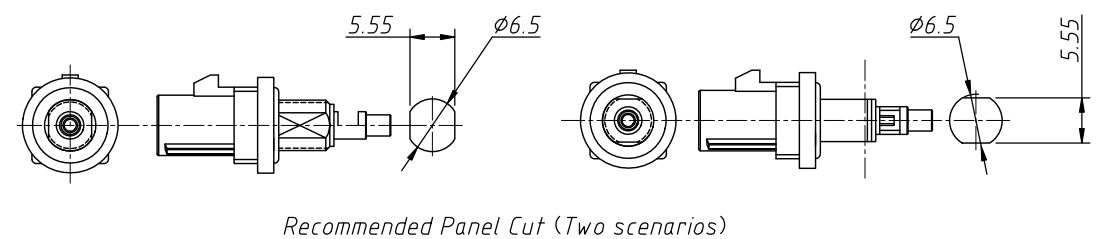
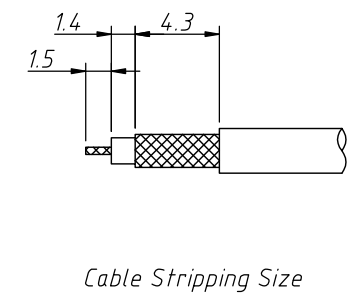
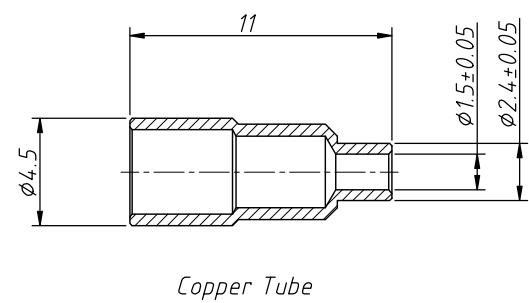
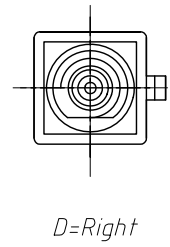
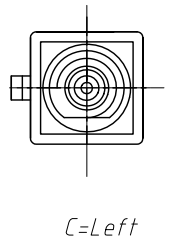
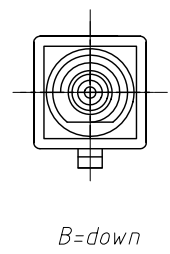
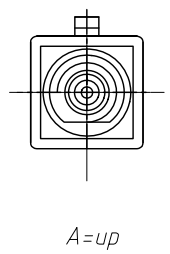
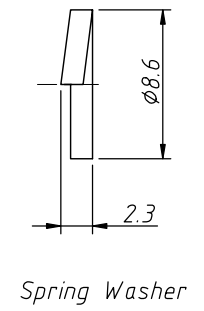
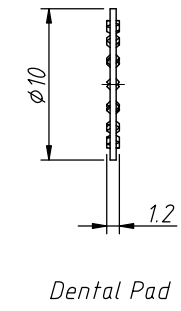
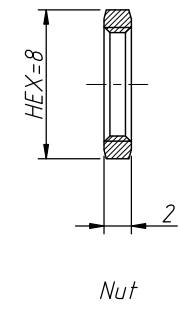
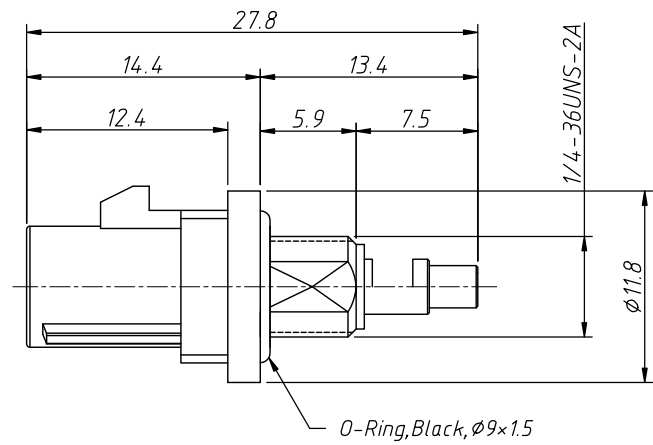
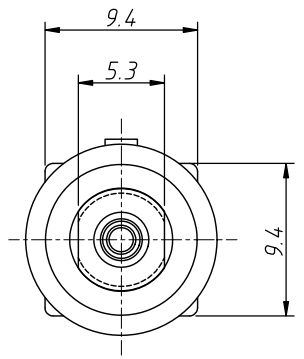
RAL: 9005 Or 9001,5005,4004,6002,8011,7031,4003,1001,1027,3002,2003,6019,5021

Size-1

Plating: G-Gold Plated N-Nickel Plated

ANGLE TOLERANCE	PROJECTION	Description:	FAKRA Crimp Plug Connector	
±3°				
GENERAL TOLERANCE	UNITS	mm	KLS P/N:	L-KLS1-FAKRA33-X-XXXX-1-X
x.x ±0.30	SHEET SIZE	A4	2 Of 2	NingBo KLS ELECTRONIC CO.,L TD.
x.xx ±0.20	Draw:	Daniel	2024-06-06	
x.xxx ±0.03	Check:	Daniel	2024-06-06	

1
RoHS Compliance



ANGLE TOLERANCE	PROJECTION	Description:	FAKRA Crimp Plug Connector	
±3°				
GENERAL TOLERANCE	UNITS	mm	KLS P/N:	L-KLS1-FAKRA33-X-XXXX-2-X
x.x ±0.30	SHEET SIZE	A4	1 OF 2	NingBo KLS ELECTRONIC CO.,L TD.
x.xx ±0.20	Draw:	Daniel	2024-06-06	
x.xxx ±0.03	Check:	Daniel	2024-06-06	

1
RoHS Compliance

Card slot direction	Code	Color	RAL	Order Information
	A	Black	sim.9005	FAKRA33-A-9005-2-G
	B	White	sim.9001	FAKRA33-A-9001-2-G
	C	Blue	sim.5005	FAKRA33-A-5005-2-G
	D	Bordeaux Violet	sim.4004	FAKRA33-A-4004-2-G
	E	Green	sim.6002	FAKRA33-A-6002-2-G
	F	Brown	sim.8011	FAKRA33-A-8011-2-G
	G	Grey	sim.7031	FAKRA33-A-7031-2-G
	H	Violet	sim.4003	FAKRA33-A-4003-2-G
	I	Beige	sim.1001	FAKRA33-A-1001-2-G
	K	Curry	sim.1027	FAKRA33-A-1027-2-G
	L	Carmine Red	sim.3002	FAKRA33-A-3002-2-G
	M	Pastel orange	sim.2003	FAKRA33-A-2003-2-G
	N	Pastel Green	sim.6019	FAKRA33-A-6019-2-G
	Z	Water Blue	sim.5021	FAKRA33-A-5021-2-G

Material:

Housing:PA66+30%GF
Copper Tube:Brass,Nickel Plating
Insulator:PTFE
Pin Contact:Brass,Gold Plating
Body:Brass,Trree Element
O-Ring:Silica gel,Black

Electrical:

Frequency Range:DC~4 GHz
Nominal Impedance:50 ohms
VSWR:<1.3
Withstanding Voltage:335 V
Insulator Resistance:1000 MΩ
Contact Resistance:6 Milliohms Max(Center Contact)
1 Milliohms Max(Outer Contact)
Operating Temperature:-40°C~+85°C
Environmental:Lead Free, RoHS compliant

Order Information

L-KLS1-FAKRA33-A-9005-2-G

RoHS

Card Slot Direction:
A=up B=down C=Left D=Right

RAL:

9005 Or 9001,5005,4004,6002,8011,7031,
4003,1001,1027,3002,2003,6019,5021

Size-2.....

Plating:

G-Gold Plated N-Nickel Plated

ANGLE TOLERANCE	PROJECTION	Description:
±3°		FAKRA Crimp Plug Connector
GENERAL TOLERANCE	UNITS	mm
x.x ±0.30	SHEET SIZE	A4
x.xx ±0.20	Draw:	Daniel
x.xxx ±0.03	Check:	Daniel



NingBo KLS ELECTRONIC CO.,L TD.