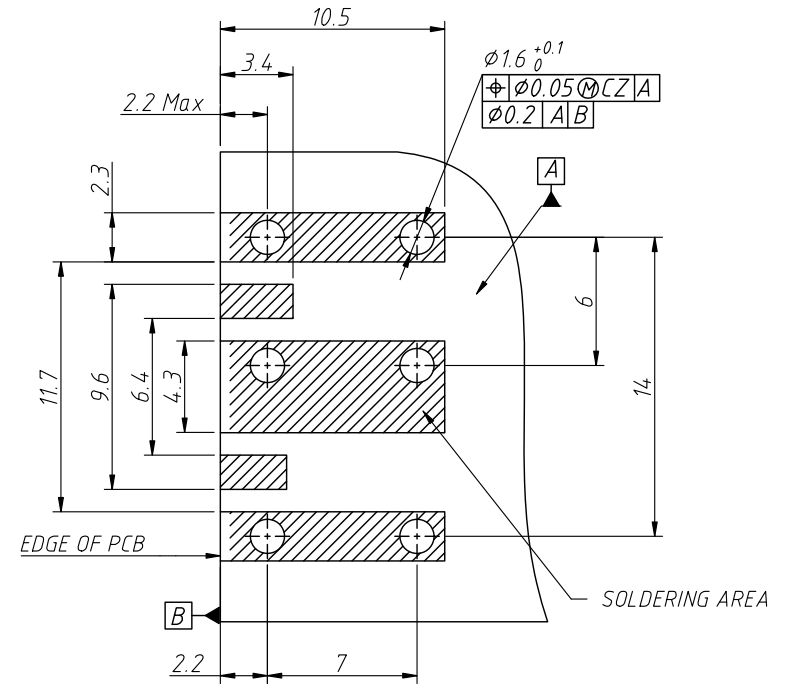
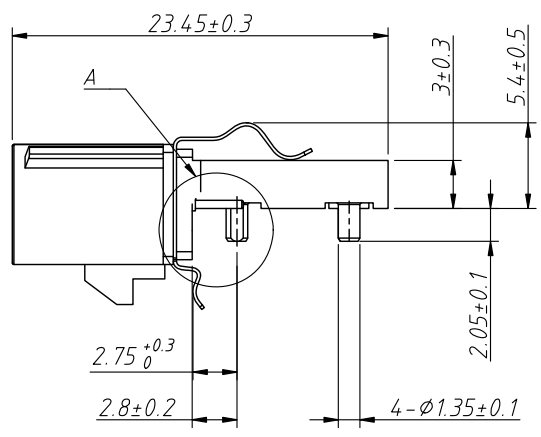
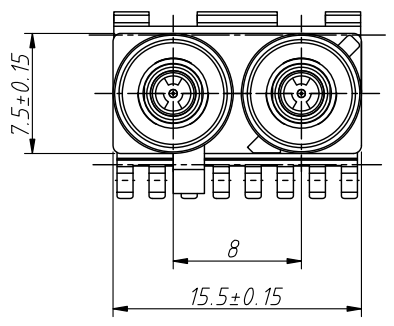
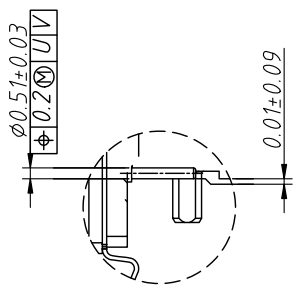


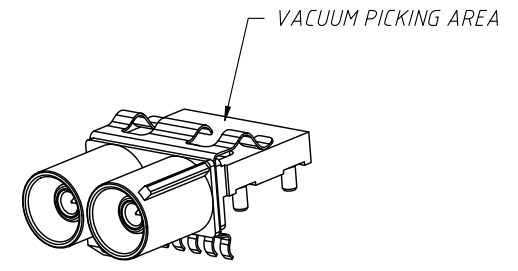
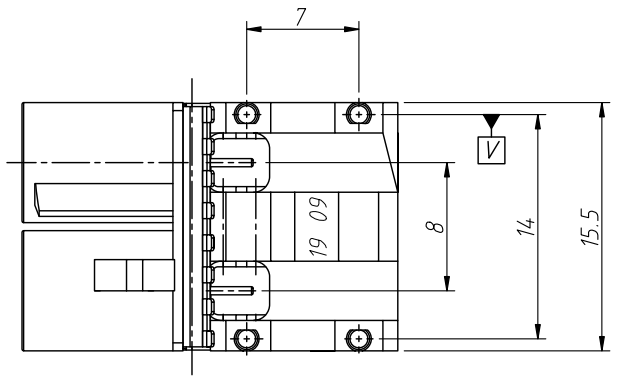
1 RoHS Compliance



Recommended PCB Layout  
Tolerance: ±0.1mm



Detail A



ANGLE TOLERANCE	PROJECTION	Description:		
±3°		Double Right Angle Plug Fakra Connector		
GENERAL TOLERANCE	UNITS	mm	KLS P/N:	L-KLS1-FAKRA14-X-XXXX-1
x.x ±0.30	SHEET SIZE	A4	1 OF 2	
x.xx ±0.20	Draw:	Daniel	2024-06-06	
x.xxx ±0.03	Check:	Daniel	2024-06-06	

NingBo KLS ELECTRONIC CO.,L TD.

1  
RoHS Compliance

Card slot direction	Code	Color	RAL	Order Information
	A	Black	sim.9005	FAKRA14-A-9005-1
	B	White	sim.9001	FAKRA14-A-9001-1
	C	Blue	sim.5005	FAKRA14-A-5005-1
	D	Bordeaux Violet	sim.4004	FAKRA14-A-4004-1
	E	Green	sim.6002	FAKRA14-A-6002-1
	F	Brown	sim.8011	FAKRA14-A-8011-1
	G	Grey	sim.7031	FAKRA14-A-7031-1
	H	Violet	sim.4003	FAKRA14-A-4003-1
	I	Beige	sim.1001	FAKRA14-A-1001-1
	K	Curry	sim.1027	FAKRA14-A-1027-1
	L	Carmine Red	sim.3002	FAKRA14-A-3002-1
	M	Pastel orange	sim.2003	FAKRA14-A-2003-1
	N	Pastel Green	sim.6019	FAKRA14-A-6019-1
	Z	Water Blue	sim.5021	FAKRA14-A-5021-1

Material:

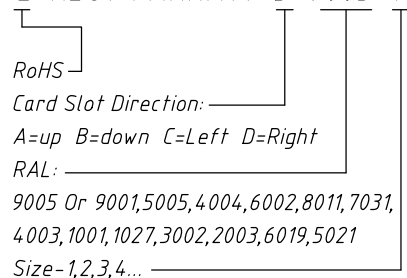
Core Pin:Brass,Gold Plating  
 Core Pin Holder:PA6T,Black  
 Interface Housing:PA6T  
 Outer Housing:Zn Alloy,Tin Plating  
 Contact Spring:Stainless Steel,Tin Plating

Electrical:

Impedance:50Ω  
 Frequency Range:DC to 6GHz  
 Test Voltage:750 V rms  
 Working Voltage:AC 335Vrms  
 Power Current:1 A DC  
 Mating Cycles:25 Cycles Min  
 Engagement Force:65 N Max  
 Disengagement Force:2 N Min  
 Retention Force:110 N Min  
 Coding Efficiency:40 N Min  
 Temp. Range:-40°C to +105°C

Order Information

L-KLS1-FAKRA14-B-9005-1



ANGLE TOLERANCE	PROJECTION	Description:
±3°		Double Right Angle Plug Fakra Connector
GENERAL TOLERANCE	UNITS	mm
x.x ±0.30	SHEET SIZE	A4
x.xx ±0.20	Draw:	Daniel
x.xxx ±0.03	Check:	Daniel
KLS P/N:		L-KLS1-FAKRA14-X-XXXX-1
2 Of 2		
2024-06-06		NingBo KLS ELECTRONIC CO.,L TD.
2024-06-06		