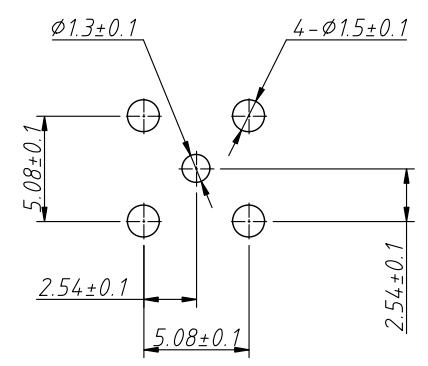
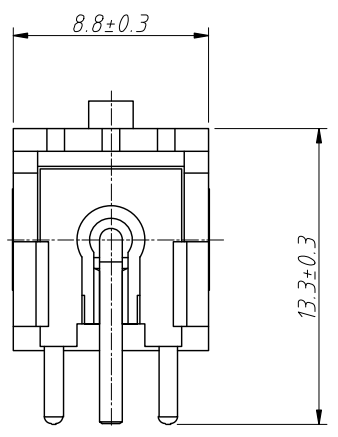
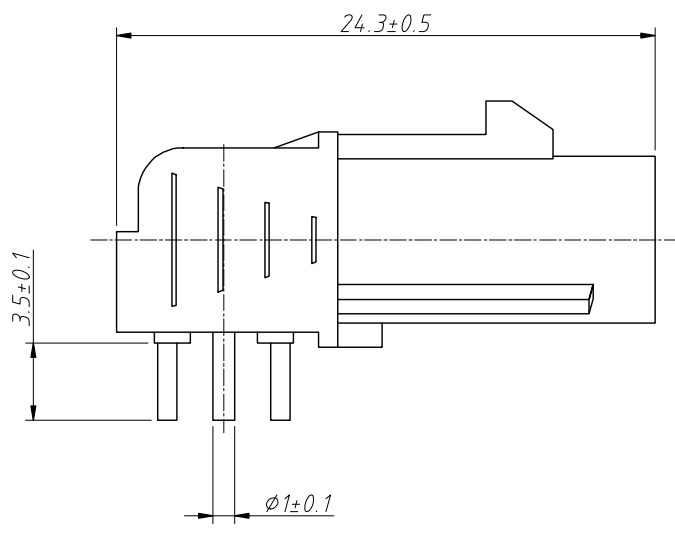
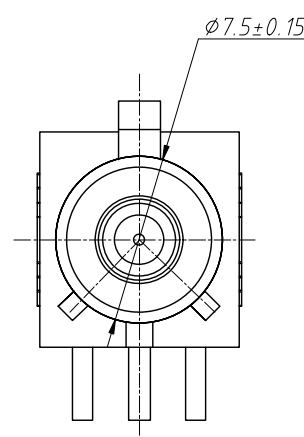
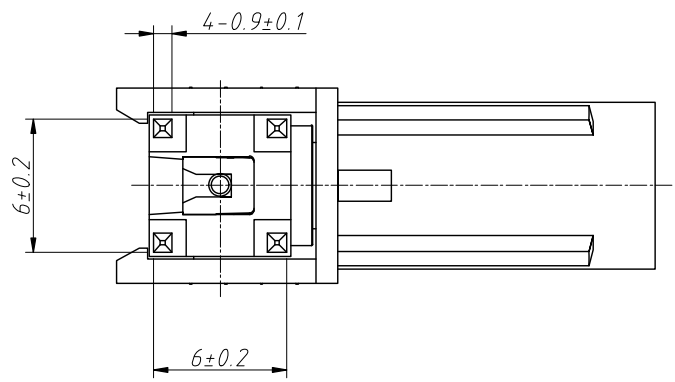
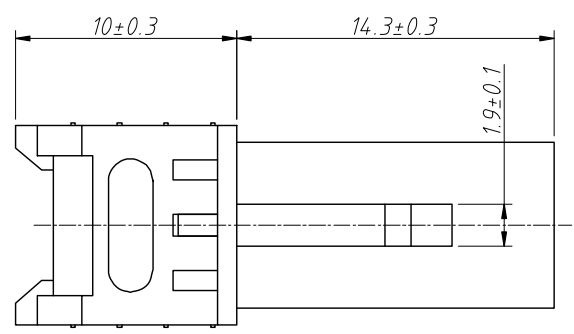


1  
RoHS Compliance



Recommended PCB Layout



ANGLE TOLERANCE	PROJECTION	Description:	
±3°		Right angle plug Fakra connector	
GENERAL TOLERANCE	UNITS	mm	KLS P/N:
x.x ±0.30	SHEET SIZE	A4	1 Of 2
x.xx ±0.20	Draw:	Daniel	2023-07-06
x.xxx ±0.10	Check:	Daniel	2023-07-06

**KLS**  
NingBo KLS ELECTRONIC CO.,L TD.

L-KLS1-FAKRA10-A-5005-1-G

1  
RoHS Compliance

Card slot direction	Color	RAL	Order Information
	Black	sim.9005	FAKRA10-A-9005-1-G-Z
	White	sim.9001	FAKRA10-A-9001-1-G-Z
	Blue	sim.5005	FAKRA10-A-5005-1-G-Z
	Purple	sim.4004	FAKRA10-A-4004-1-G-Z
	Green	sim.6002	FAKRA10-A-6002-1-G-Z
	Brown	sim.8011	FAKRA10-A-8011-1-G-Z
	Grey	sim.7031	FAKRA10-A-7031-1-G-Z
	Pink	sim.4003	FAKRA10-A-4003-1-G-Z
	Beige	sim.1001	FAKRA10-A-1001-1-G-Z
	Curry	sim.1027	FAKRA10-A-1027-1-G-Z
	Carmine	sim.3002	FAKRA10-A-3002-1-G-Z
	Pastelorange	sim.2003	FAKRA10-A-2003-1-G-Z
	Pastel Green	sim.6019	FAKRA10-A-6019-1-G-Z
	Waterblue	sim.5021	FAKRA10-A-5021-1-G-Z

Material:

Insulator:PTFE

Interface Housing:PA66+30%GF,Blue

Core Pin:Brass,Gold Plating

Outer Housing:Brass,Tin plating

Electrical:

Impedance:50Ω

vswr:≤1.5

Tensile strength:≥98N

Temperature range:-40°C to +85°C

Notes:

100% continuity, no short circuit, open circuit, instantaneous break, or misalignment;

Order Information

L-KLS1-FAKRA10-A-5005-1-G

RoHS

Card Slot Direction:A=up

B=down C=Left D=Right

RAL:5005 Or

9001,9005,4004,6002,8011,7031,

4003,1001,1027,3002,2003,6019,5021

Size-1,2,3,4...

Plating:G-Gold plated N-Nickel plated

ANGLE TOLERANCE	PROJECTION	Description:
±3°		Right angle plug Fakra connector
GENERAL TOLERANCE	UNITS	mm
x.x ±0.30	SHEET SIZE	A4
x.xx ±0.20	Draw:	Daniel
x.xxx ±0.10	Check:	Daniel
KLS P/N:		L-KLS1-FAKRA10-A-5005-1-G-Z
2 Of 2		
2023-07-06		NingBo KLS ELECTRONIC CO.,L TD.
2023-07-06		