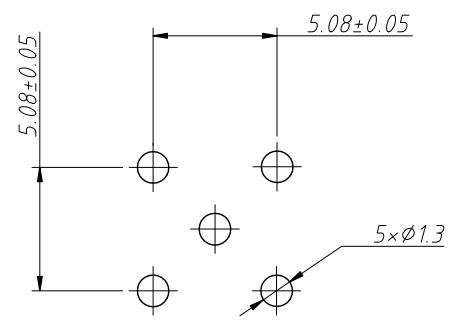
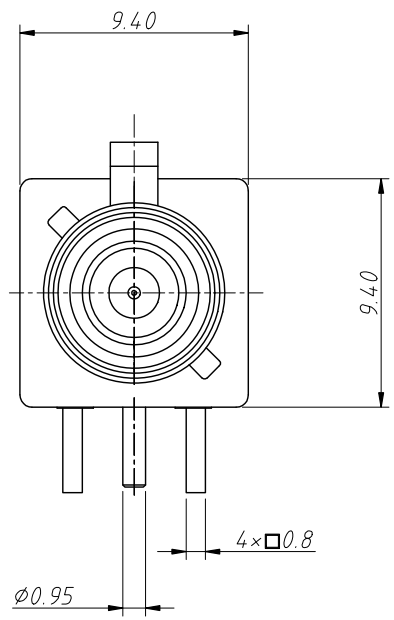
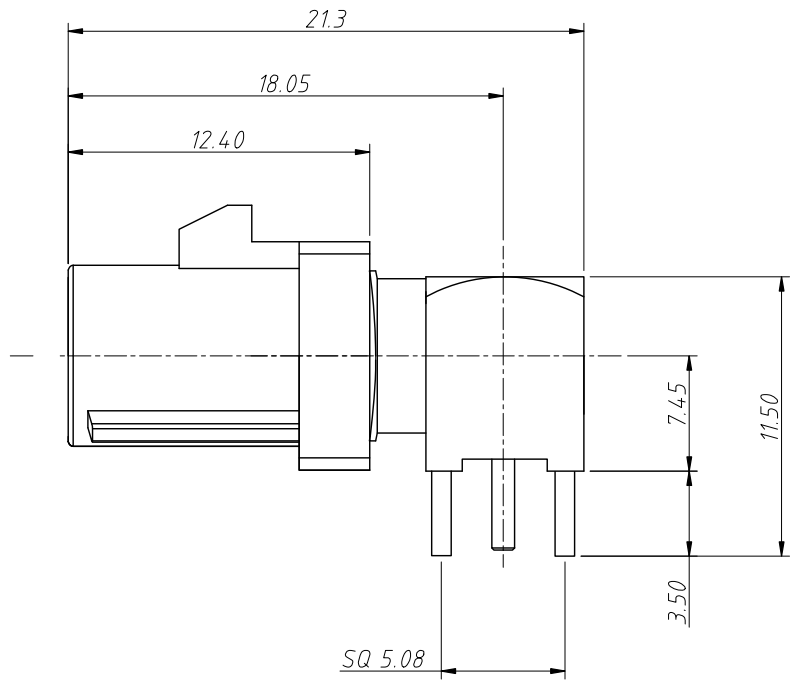
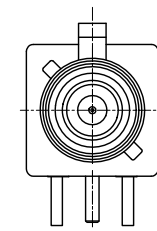


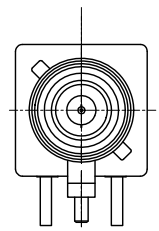
1
RoHS Compliance



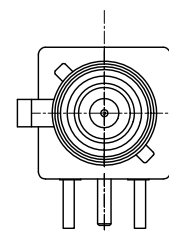
Recommended PCB Layout
Tolerance: ±0.05mm



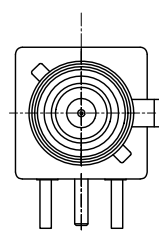
A=up



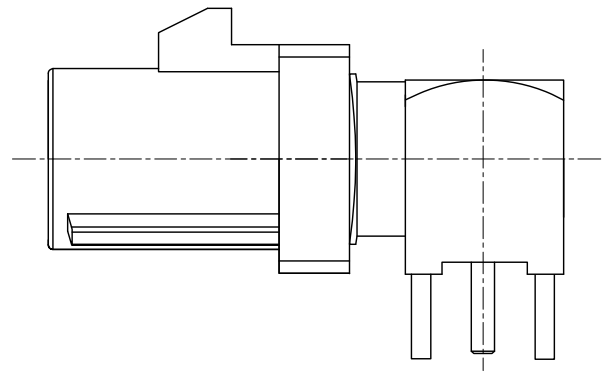
B=down



C=Left



D=Right



ANGLE TOLERANCE	PROJECTION		Description:	
±3°			Right Angle Plug Fakra Connector	
GENERAL TOLERANCE	UNITS	mm	KLS P/N:	L-KLS1-FAKRA03-X-XXXX-1-G
x.x ±0.30	SHEET SIZE	A4	XX	
x.xx ±0.20	Draw:	Daniel	2024-07-03	
x.xxx ±0.10	Check:	Daniel	2024-07-03	

NingBo KLS ELECTRONIC CO.,L TD.

1
RoHS Compliance

Card slot direction	Code	Color	RAL	Order Information
	A	Black	sim.9005	FAKRA03-A-9005-1-G
	B	White	sim.9001	FAKRA03-A-9001-1-G
	C	Blue	sim.5005	FAKRA03-A-5005-1-G
	D	Bordeaux Violet	sim.4004	FAKRA03-A-4004-1-G
	E	Green	sim.6002	FAKRA03-A-6002-1-G
	F	Brown	sim.8011	FAKRA03-A-8011-1-G
	G	Grey	sim.7031	FAKRA03-A-7031-1-G
	H	Violet	sim.4003	FAKRA03-A-4003-1-G
	I	Beige	sim.1001	FAKRA03-A-0303-1-G
	K	Curry	sim.1027	FAKRA03-A-0327-1-G
	L	Carmine Red	sim.3002	FAKRA03-A-3002-1-G
	M	Pastel orange	sim.2003	FAKRA03-A-2003-1-G
	N	Pastel Green	sim.6019	FAKRA03-A-6039-1-G
	Z	Water Blue	sim.5021	FAKRA03-A-5021-1-G

Material:

Housing:PA66+30%GF

Insulator:PTFE+LCP

Pin Contact:Phosphor Bronze,Gold Plating

Cover:Brass,Nickel Plating

Body:Brass,Nickel Plating(Front),Gold Plating(Back)

Electrical:

Frequency Range:DC~4 GHz

Nominal Impedance:50 ohms

Withstanding Voltage:335 V

Insulator Resistance:1000 MΩ

Contact Resistance:6 Milliohms Max(Center Contact)

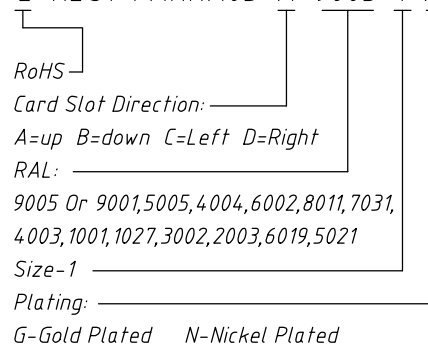
1 Milliohms Max(Outer Contact)

Operating Temperature:-40°C~+85°C

Environmental:Lead Free, RoHS compliant

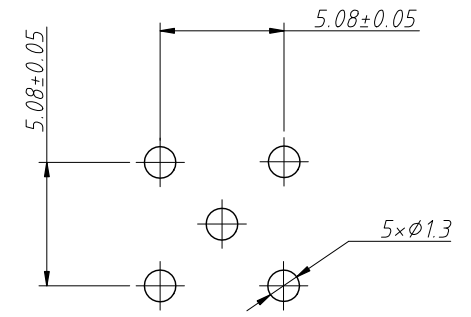
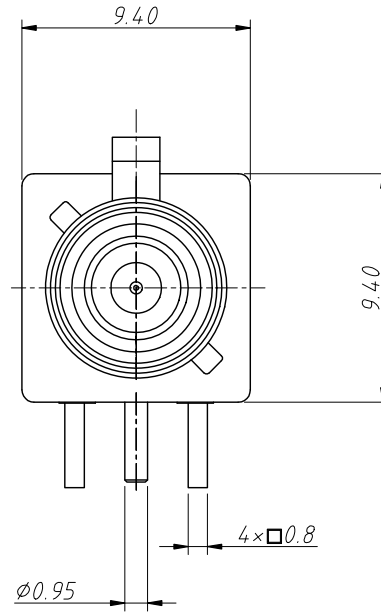
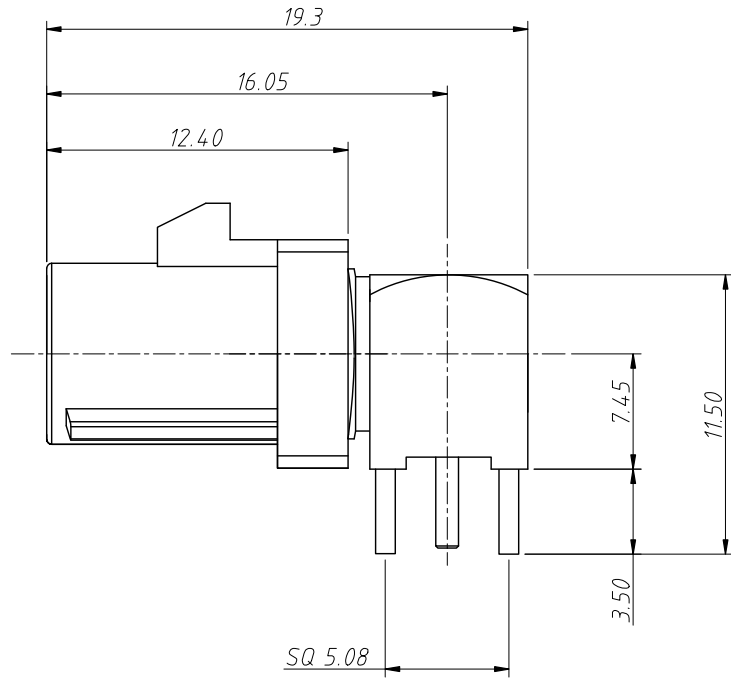
Order Information

L-KLS1-FAKRA03-A-9005-1-X

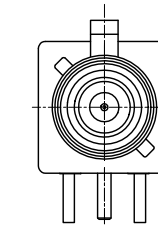


ANGLE TOLERANCE	PROJECTION	Description:	Right Angle Plug Fakra Connector	
±3°				
GENERAL TOLERANCE	UNITS	mm	KLS P/N:	L-KLS1-FAKRA03-X-XXXX-1-G
x.x ±0.30	SHEET SIZE	A4	2 Of 2	NingBo KLS ELECTRONIC CO.,L TD.
x.xx ±0.20	Draw:	Daniel	2024-07-03	
x.xxx ±0.03	Check:	Daniel	2024-07-03	

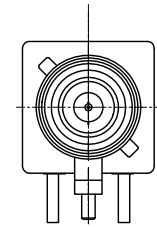
1
RoHS Compliance



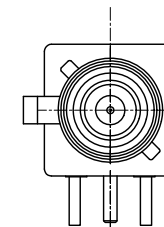
Recommended PCB Layout
Tolerance: ±0.05mm



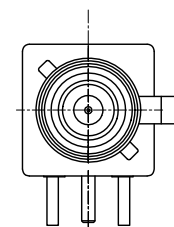
A=up



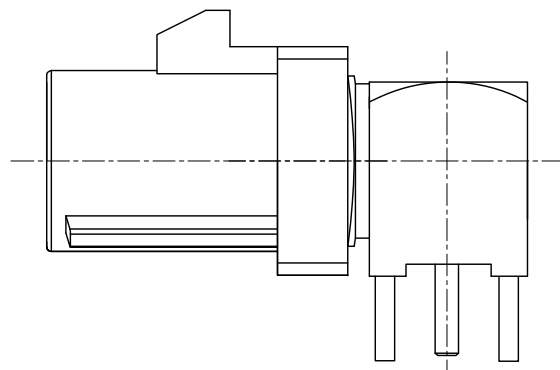
B=down



C=Left



D=Right



ANGLE TOLERANCE	PROJECTION	Description:		
±3°			Right Angle Plug Fakra Connector	
GENERAL TOLERANCE	UNITS	mm	KLS P/N:	L-KLS1-FAKRA03-X-XXXX-2-G
x.x ±0.30	SHEET SIZE	A4	XX	
x.xx ±0.20	Draw:	Daniel	2024-07-03	
x.xxx ±0.10	Check:	Daniel	2024-07-03	

NingBo KLS ELECTRONIC CO.,L TD.

1
RoHS Compliance

Card slot direction	Code	Color	RAL	Order Information
	A	Black	sim.9005	FAKRA03-A-9005-2-G
	B	White	sim.9001	FAKRA03-A-9001-2-G
	C	Blue	sim.5005	FAKRA03-A-5005-2-G
	D	Bordeaux Violet	sim.4004	FAKRA03-A-4004-2-G
	E	Green	sim.6002	FAKRA03-A-6002-2-G
	F	Brown	sim.8011	FAKRA03-A-8011-2-G
	G	Grey	sim.7031	FAKRA03-A-7031-2-G
	H	Violet	sim.4003	FAKRA03-A-4003-2-G
	I	Beige	sim.1001	FAKRA03-A-0303-2-G
	K	Curry	sim.1027	FAKRA03-A-0327-2-G
	L	Carmine Red	sim.3002	FAKRA03-A-3002-2-G
	M	Pastel orange	sim.2003	FAKRA03-A-2003-2-G
	N	Pastel Green	sim.6019	FAKRA03-A-6039-2-G
	Z	Water Blue	sim.5021	FAKRA03-A-5021-2-G

Material:
Housing:PA66+30%GF
Insulator:PTFE+LCP
Pin Contact:Phosphor Bronze,Gold Plating
Cover:Brass,Nickel Plating
Body:Brass,Nickel Plating(Front),Gold Plating(Back)

Electrical:
Frequency Range:DC~4 GHz
Nominal Impedance:50 ohms
Withstanding Voltage:335 V
Insulator Resistance:1000 MΩ
Contact Resistance:6 Milliohms Max(Center Contact)
1 Milliohms Max(Outer Contact)
Operating Temperature:-40°C~+85°C
Environmental:Lead Free, RoHS compliant

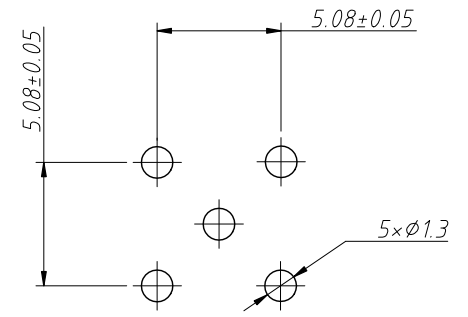
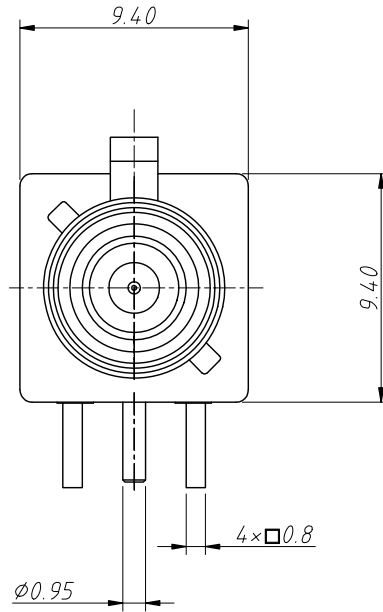
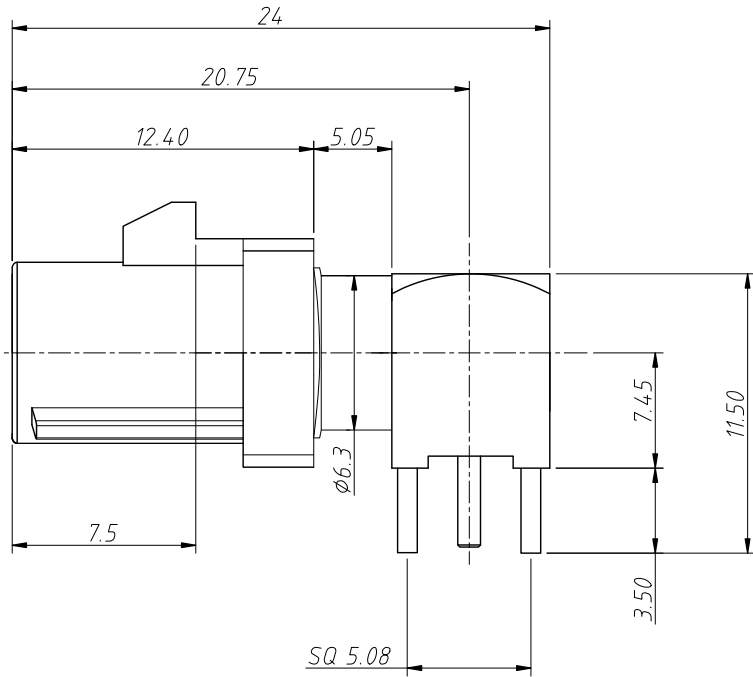
Order Information
L-KLS1-FAKRA03-A-9005-2-X

RoHS
Card Slot Direction: _____
A=up B=down C=Left D=Right
RAL: _____
9005 Or 9001,5005,4004,6002,8011,7031,
4003,1001,1027,3002,2003,6019,5021
Size-2 _____
Plating: _____
G-Gold Plated N-Nickel Plated

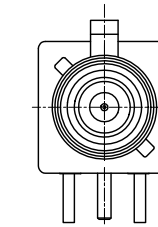
ANGLE TOLERANCE	PROJECTION	Description:	Right Angle Plug Fakra Connector	
±3°				
GENERAL TOLERANCE	UNITS	mm	KLS P/N:	L-KLS1-FAKRA03-X-XXXX-2-G
x.x ±0.30	SHEET SIZE	A4	2 Of 2	
x.xx ±0.20	Draw:	Daniel	2024-07-03	
x.xxx ±0.03	Check:	Daniel	2024-07-03	

NingBo KLS ELECTRONIC CO.,L TD.

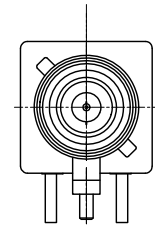
1
RoHS Compliance



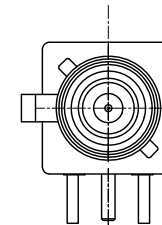
Recommended PCB Layout
Tolerance: ±0.05mm



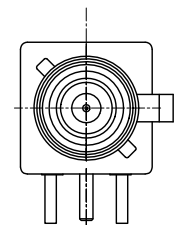
A=up



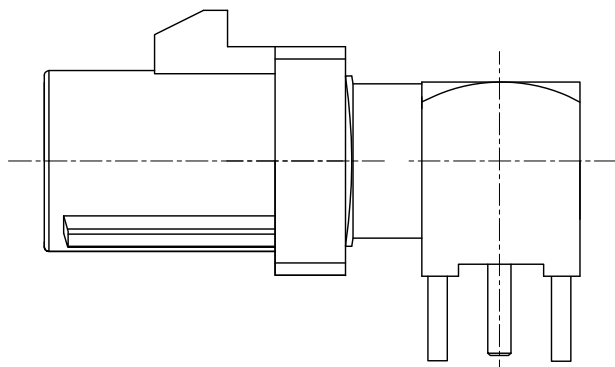
B=down



C=Left



D=Right



ANGLE TOLERANCE	PROJECTION	Description:		
±3°			Right Angle Plug Fakra Connector	
GENERAL TOLERANCE	UNITS	mm	KLS P/N:	L-KLS1-FAKRA03-X-XXXX-3-G
x.x ±0.30	SHEET SIZE	A4	XX	
x.xx ±0.20	Draw:	Daniel	2024-07-03	
x.xxx ±0.10	Check:	Daniel	2024-07-03	

NingBo KLS ELECTRONIC CO.,L TD.

1
RoHS Compliance

Card slot direction	Code	Color	RAL	Order Information
	A	Black	sim.9005	FAKRA03-A-9005-3-G
	B	White	sim.9001	FAKRA03-A-9001-3-G
	C	Blue	sim.5005	FAKRA03-A-5005-3-G
	D	Bordeaux Violet	sim.4004	FAKRA03-A-4004-3-G
	E	Green	sim.6002	FAKRA03-A-6002-3-G
	F	Brown	sim.8011	FAKRA03-A-8011-3-G
	G	Grey	sim.7031	FAKRA03-A-7031-3-G
	H	Violet	sim.4003	FAKRA03-A-4003-3-G
	I	Beige	sim.1001	FAKRA03-A-0303-3-G
	K	Curry	sim.1027	FAKRA03-A-0327-3-G
	L	Carmine Red	sim.3002	FAKRA03-A-3002-3-G
	M	Pastel orange	sim.2003	FAKRA03-A-2003-3-G
	N	Pastel Green	sim.6019	FAKRA03-A-6039-3-G
	Z	Water Blue	sim.5021	FAKRA03-A-5021-3-G

Material:

Housing:PA66+30%GF

Insulator:PTFE+LCP

Pin Contact:Phosphor Bronze,Gold Plating

Cover:Brass,Nickel Plating

Body:Brass,Nickel Plating(Front),Gold Plating(Back)

Electrical:

Frequency Range:DC~4 GHz

Nominal Impedance:50 ohms

Withstanding Voltage:335 V

Insulator Resistance:1000 MΩ

Contact Resistance:6 Milliohms Max(Center Contact)

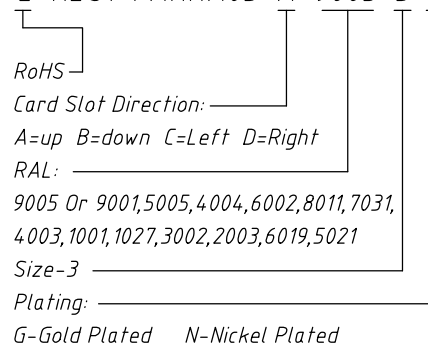
1 Milliohms Max(Outer Contact)

Operating Temperature:-40°C~+85°C

Environmental:Lead Free, RoHS compliant

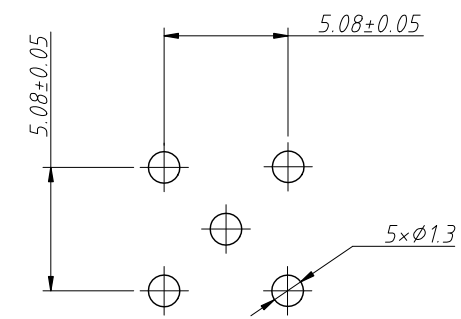
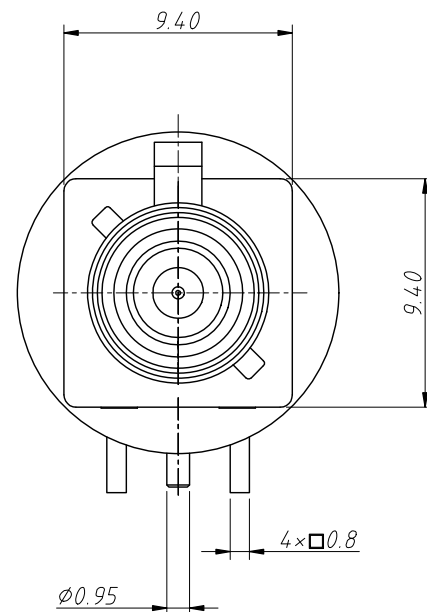
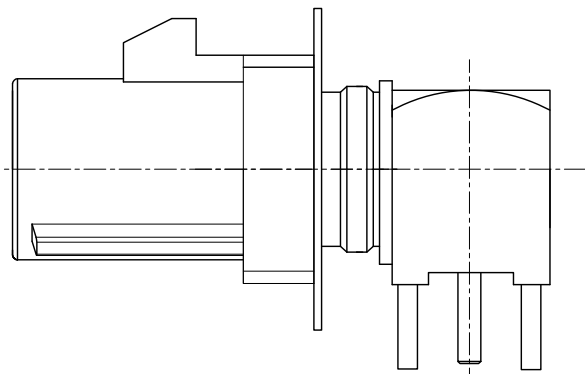
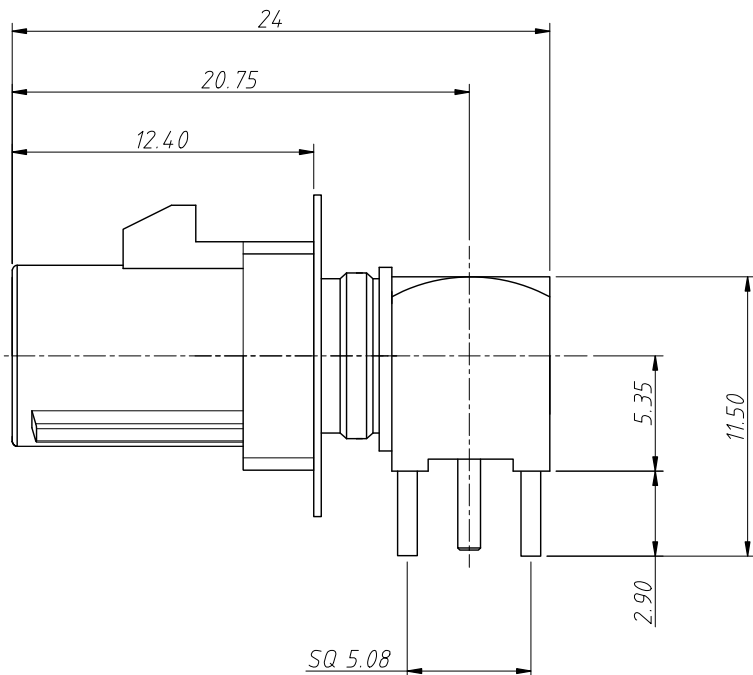
Order Information

L-KLS1-FAKRA03-A-9005-3-X

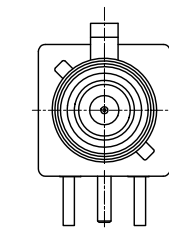


ANGLE TOLERANCE	PROJECTION	Description:	Right Angle Plug Fakra Connector	
±3°				
GENERAL TOLERANCE	UNITS	mm	KLS P/N:	L-KLS1-FAKRA03-X-XXXX-3-G
x.x ±0.30	SHEET SIZE	A4	2 Of 2	NingBo KLS ELECTRONIC CO.,L TD.
x.xx ±0.20	Draw:	Daniel	2024-07-03	
x.xxx ±0.03	Check:	Daniel	2024-07-03	

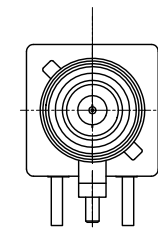
1
RoHS Compliance



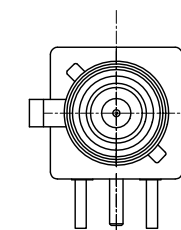
Recommended PCB Layout
Tolerance: ±0.05mm



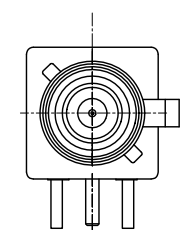
A=up



B=down



C=Left



D=Right

ANGLE TOLERANCE	PROJECTION		Description:	
±3°			Right Angle Plug Fakra Connector	
GENERAL TOLERANCE	UNITS	mm	KLS P/N:	L-KLS1-FAKRA03-X-XXXX-4-G
x.x ±0.30	SHEET SIZE	A4	XX	
x.xx ±0.20	Draw:	Daniel	2024-07-03	
x.xxx ±0.10	Check:	Daniel	2024-07-03	
NingBo KLS ELECTRONIC CO.,L TD.				

1
RoHS Compliance

Card slot direction	Code	Color	RAL	Order Information
	A	Black	sim.9005	FAKRA03-A-9005-4-G
	B	White	sim.9001	FAKRA03-A-9001-4-G
	C	Blue	sim.5005	FAKRA03-A-5005-4-G
	D	Bordeaux Violet	sim.4004	FAKRA03-A-4004-4-G
	E	Green	sim.6002	FAKRA03-A-6002-4-G
	F	Brown	sim.8011	FAKRA03-A-8011-4-G
	G	Grey	sim.7031	FAKRA03-A-7031-4-G
	H	Violet	sim.4003	FAKRA03-A-4003-4-G
	I	Beige	sim.1001	FAKRA03-A-0303-4-G
	K	Curry	sim.1027	FAKRA03-A-0327-4-G
	L	Carmine Red	sim.3002	FAKRA03-A-3002-4-G
	M	Pastel orange	sim.2003	FAKRA03-A-2003-4-G
	N	Pastel Green	sim.6019	FAKRA03-A-6039-4-G
	Z	Water Blue	sim.5021	FAKRA03-A-5021-4-G

Material:
 Housing:PA66+30%GF
 Insulator:PTFE+LCP
 Pin Contact:Phosphor Bronze,Gold Plating
 Cover:Brass,Nickel Plating
 Body:Brass,Nickel Plating(Front),Gold Plating(Back)

Electrical:
 Frequency Range:DC~4 GHz
 Nominal Impedance:50 ohms
 Withstanding Voltage:335 V
 Insulator Resistance:1000 MΩ
 Contact Resistance:6 Milliohms Max(Center Contact)
 1 Milliohms Max(Outer Contact)
 Operating Temperature:-40°C~+85°C
 Environmental:Lead Free, RoHS compliant

Order Information
 L-KLS1-FAKRA03-A-9005-4-X
 RoHS
 Card Slot Direction: _____
 A=up B=down C=Left D=Right
 RAL: _____
 9005 Or 9001,5005,4004,6002,8011,7031,
 4003,1001,1027,3002,2003,6019,5021
 Size-4 _____
 Plating: _____
 G-Gold Plated N-Nickel Plated

ANGLE TOLERANCE	PROJECTION	Description:	Right Angle Plug Fakra Connector	
±3°				
GENERAL TOLERANCE	UNITS	mm	KLS P/N:	L-KLS1-FAKRA03-X-XXXX-4-G
x.x ±0.30	SHEET SIZE	A4	2 Of 2	
x.xx ±0.20	Draw:	Daniel	2024-07-03	
x.xxx ±0.03	Check:	Daniel	2024-07-03	

NingBo KLS ELECTRONIC CO.,L TD.