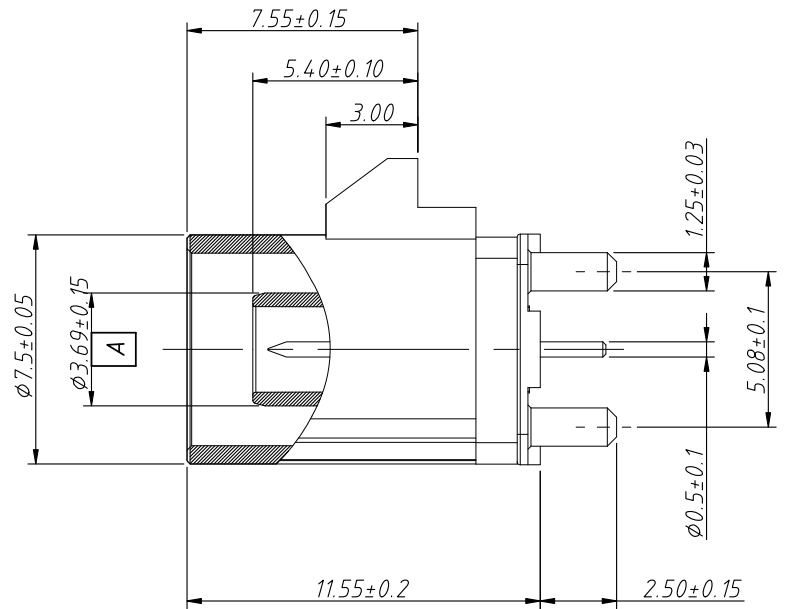
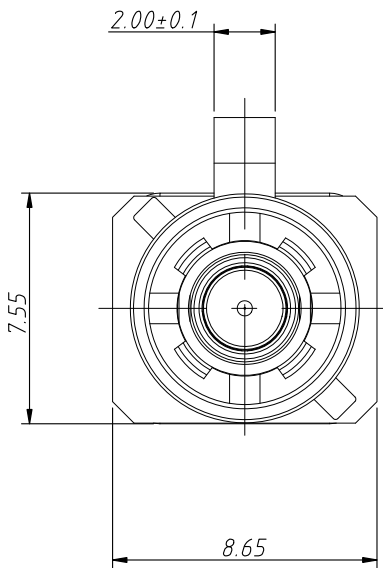
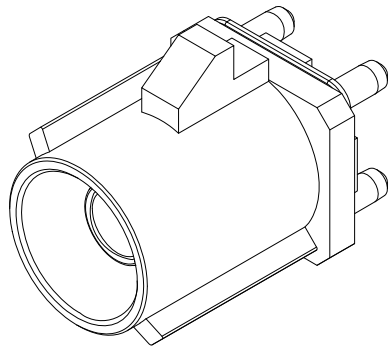
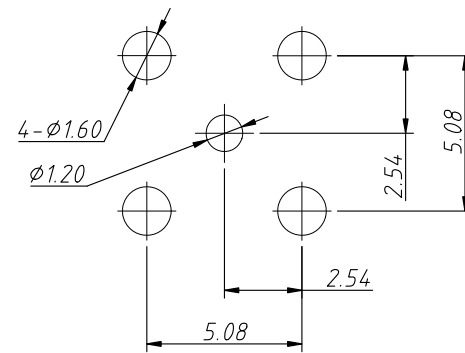
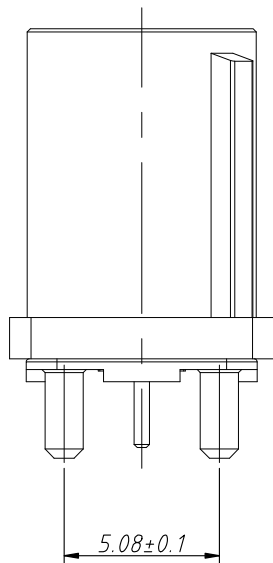
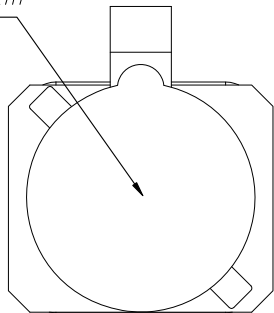


1
RoHS Compliance



Mylar Diagram



Recommended PCB Layout
Tolerance: ±0.1mm

ANGLE TOLERANCE	PROJECTION	Description:	Straight Plug FAKRA Connectors	
±3°				
GENERAL TOLERANCE	UNITS	mm	KLS P/N:	L-KLS1-FAKRA08-X-XXXX-1
x.x ±0.30	SHEET SIZE	A4	1 OF 2	
x.xx ±0.20	Draw:	Daniel	2024-06-06	NingBo KLS ELECTRONIC CO.,L TD.
x.xxx ±0.03	Check:	Daniel	2024-06-06	

1
RoHS Compliance

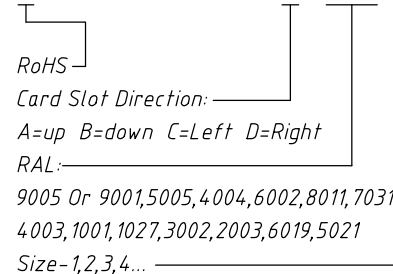
Card slot direction	Code	Color	RAL	Order Information
	A	Black	sim.9005	FAKRA08-A-9005-1
	B	White	sim.9001	FAKRA08-A-9001-1
	C	Blue	sim.5005	FAKRA08-A-5005-1
	D	Bordeaux Violet	sim.4004	FAKRA08-A-4004-1
	E	Green	sim.6002	FAKRA08-A-6002-1
	F	Brown	sim.8011	FAKRA08-A-8011-1
	G	Grey	sim.7031	FAKRA08-A-7031-1
	H	Violet	sim.4003	FAKRA08-A-4003-1
	I	Beige	sim.1001	FAKRA08-A-1001-1
	K	Curry	sim.1027	FAKRA08-A-1027-1
	L	Carmine Red	sim.3002	FAKRA08-A-3002-1
	M	Pastel orange	sim.2003	FAKRA08-A-2003-1
	N	Pastel Green	sim.6019	FAKRA08-A-6019-1
	Z	Water Blue	sim.5021	FAKRA08-A-5021-1

Material:
 Insulator:PA
 Contacts:Copper Alloy,
 Gold Plating On Contact Area
 Tin Plating On Solder Tails
 Shell:Zinc Alloy,Tin Plating

Electrical:
 Impedance:50Ω Max
 Frequency Range:DC to 6GHZ
 SWR:0-6GHz 1.58Max
 Rated Voltage:50V (AC/DC)
 Voltage Rating:1A/Pin
 Insulator Resistance:1000MΩ Min
 Operation Temp. Range:-40°C to +105°C
 Mating Cycles:25 insertions

Order Information

L-KLS1-FAKRA08-A-9005-1



ANGLE TOLERANCE	PROJECTION	Description:
±3°		Straight Plug FAKRA Connectors
GENERAL TOLERANCE	UNITS	mm
x.x ±0.30	SHEET SIZE	A4
x.xx ±0.20	Draw:	Daniel 2024-06-06
x.xxx ±0.03	Check:	Daniel 2024-06-06



NingBo KLS ELECTRONIC CO.,L TD.

L-KLS1-FAKRA08-X-XXXX-1