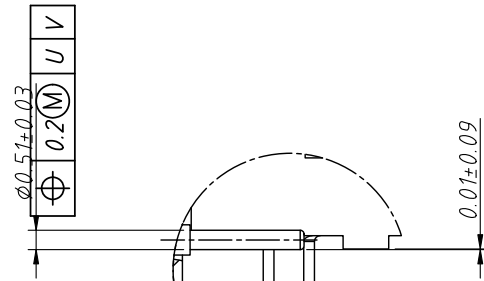
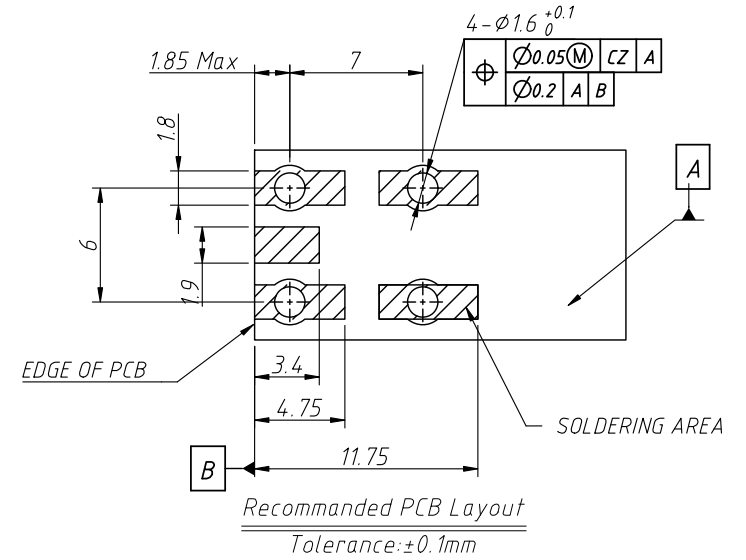
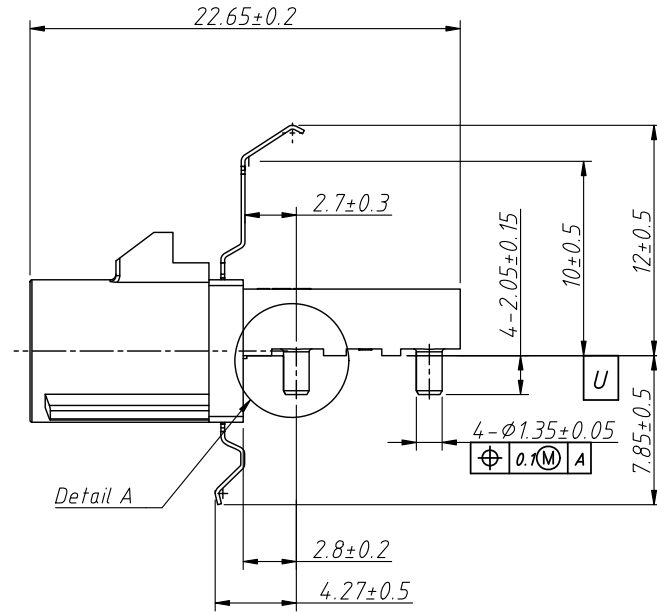
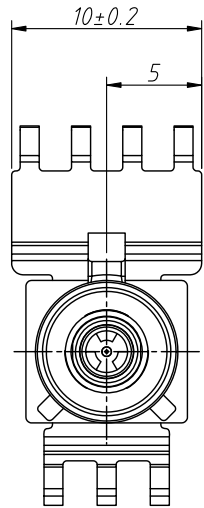
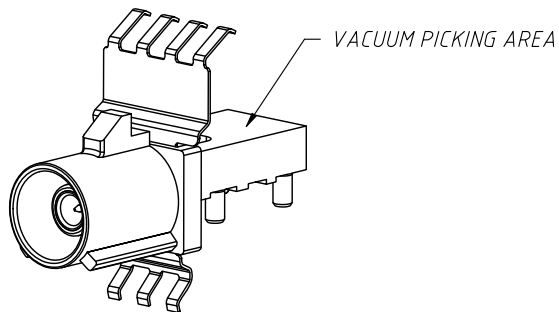
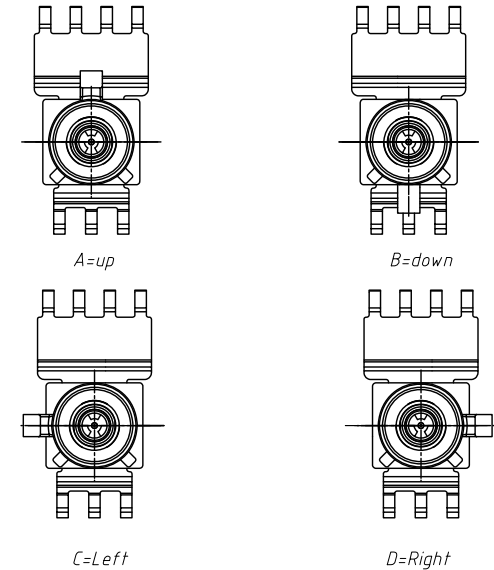
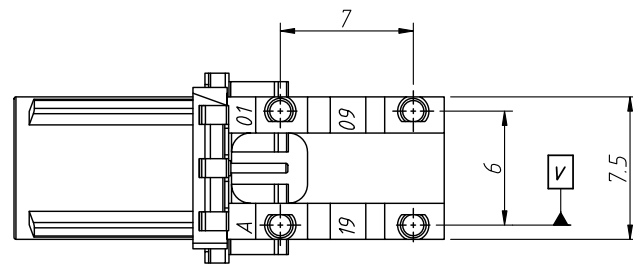


1 RoHS Compliance



0.2×30°
Detail A



ANGLE TOLERANCE	PROJECTION	Description:		
±3°		Right Angle Plug Fakra Connector		
GENERAL TOLERANCE	UNITS	mm	KLS P/N:	L-KLS1-FAKRA12-X-XXXX-1
x.x ±0.30	SHEET SIZE	A4	1 OF 2	NingBo KLS ELECTRONIC CO.,L TD.
x.xx ±0.20	Draw:	Daniel	2024-06-06	
x.xxx ±0.03	Check:	Daniel	2024-06-06	

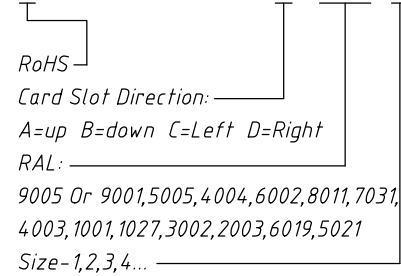
1
RoHS Compliance

Card slot direction	Code	Color	RAL	Order Information
	A	Black	sim.9005	FAKRA12-A-9005-1
	B	White	sim.9001	FAKRA12-A-9001-1
	C	Blue	sim.5005	FAKRA12-A-5005-1
	D	Bordeaux Violet	sim.4004	FAKRA12-A-4004-1
	E	Green	sim.6002	FAKRA12-A-6002-1
	F	Brown	sim.8011	FAKRA12-A-8011-1
	G	Grey	sim.7031	FAKRA12-A-7031-1
	H	Violet	sim.4003	FAKRA12-A-4003-1
	I	Beige	sim.1001	FAKRA12-A-1001-1
	K	Curry	sim.1027	FAKRA12-A-1027-1
	L	Carmine Red	sim.3002	FAKRA12-A-3002-1
	M	Pastel orange	sim.2003	FAKRA12-A-2003-1
	N	Pastel Green	sim.6019	FAKRA12-A-6019-1
	Z	Water Blue	sim.5021	FAKRA12-A-5021-1

Material:
 Core Pin:Brass,Gold Plating
 Core Pin Holder:PA6T,Black
 Interface Housing:PA6T
 Outer Housing:Zn Alloy,Tin Plating
 Contact Spring:Stainless Steel,Tin Plating

Electrical:
 Impedance:50Ω
 Frequency Range:DC to 6GHz
 Test Voltage:750 V rms
 Working Voltage:AC 335Vrms
 Power Current:1 A DC Max
 Mating Cycles:25 Cycles Min
 Engagement Force:65 N Max
 Disengagement Force:2 N Min
 Retention Force:110 N Min
 Coding Efficiency:40 N Min
 Temp. Range:-40°C to +105°C

Order Information
 L-KLS1-FAKRA12-A-9005-1



ANGLE TOLERANCE	PROJECTION	Description:	Right Angle Plug Fakra Connector
±3°			
GENERAL TOLERANCE	UNITS	mm	KLS P/N: L-KLS1-FAKRA12-X-XXXX-1
x.x ±0.30	SHEET SIZE	A4	2 Of 2
x.xx ±0.20	Draw:	Daniel	2024-06-06
x.xxx ±0.03	Check:	Daniel	2024-06-06

NingBo KLS ELECTRONIC CO.,L TD.