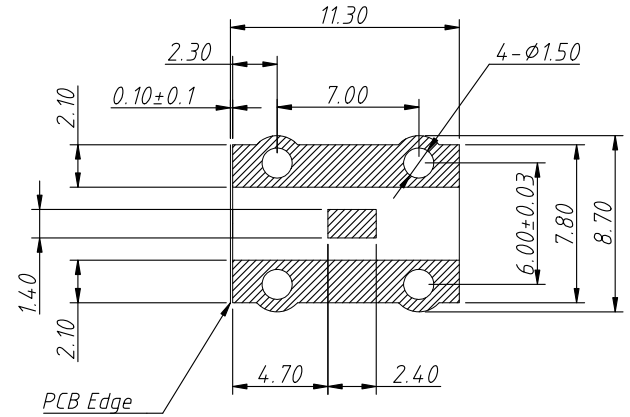
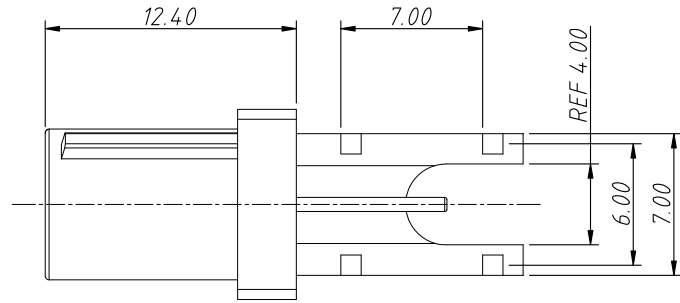
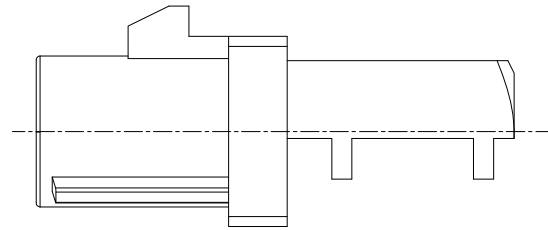
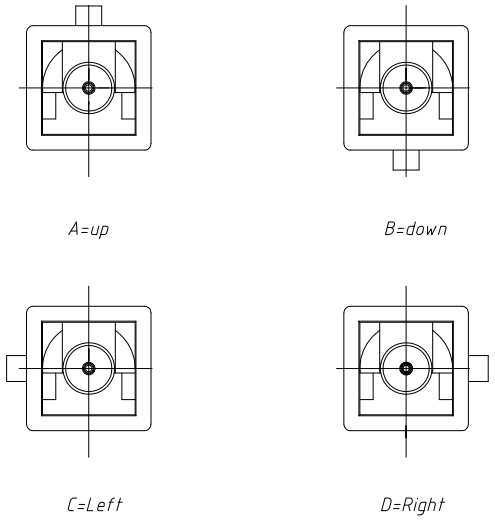
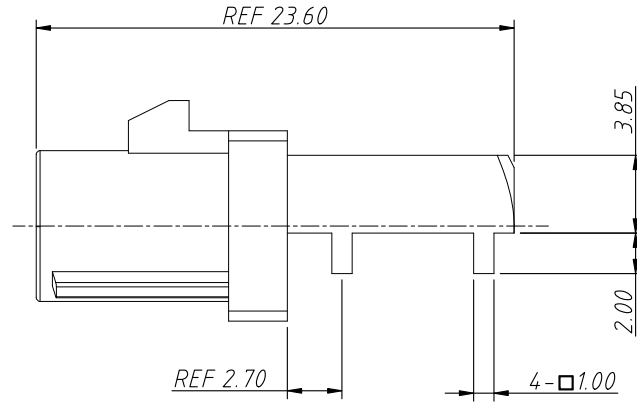
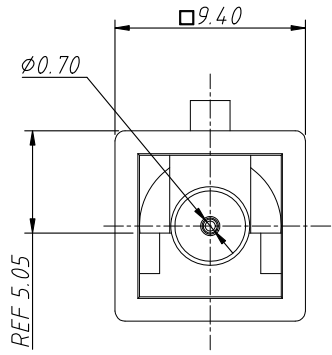


1
RoHS Compliance



Recommended PCB Layout
Tolerance: ±0.05mm



ANGLE TOLERANCE	PROJECTION	Description:		
±3°		Right Angle Plug Fakra Connector		
GENERAL TOLERANCE	UNITS	mm	KLS P/N:	L-KLS1-FAKRA09-X-XXXX-1-X
x.x ±0.30	SHEET SIZE	A4	1 Of 2	NingBo KLS ELECTRONIC CO.,L TD.
x.xx ±0.20	Draw:	Daniel	2023-09-25	
x.xxx ±0.03	Check:	Daniel	2023-09-25	

1
RoHS Compliance

Card slot direction	Code	Color	RAL	Order Information
	A	Black	sim.9005	FAKRA09-A-9005-1-G
	B	White	sim.9001	FAKRA09-A-9001-1-G
	C	Blue	sim.5005	FAKRA09-A-5005-1-G
	D	Bordeaux Violet	sim.4004	FAKRA09-A-4004-1-G
	E	Green	sim.6002	FAKRA09-A-6002-1-G
	F	Brown	sim.8011	FAKRA09-A-8011-1-G
	G	Grey	sim.7031	FAKRA09-A-7031-1-G
	H	Violet	sim.4003	FAKRA09-A-4003-1-G
	I	Beige	sim.1001	FAKRA09-A-1001-1-G
	K	Curry	sim.1027	FAKRA09-A-1027-1-G
	L	Carmine Red	sim.3002	FAKRA09-A-3002-1-G
	M	Pastel orange	sim.2003	FAKRA09-A-2003-1-G
	N	Pastel Green	sim.6019	FAKRA09-A-6019-1-G
	Z	Water Blue	sim.5021	FAKRA09-A-5021-1-G

Material:
Housing:PA4T
Insulator:PTFE
Pin:Brass,Gold Plating
Cover:Brass,Nickel Plating
Body:Brass,Gold Plating

Electrical:
Frequency Range:DC~4 GHz
Nominal Impedance:50 ohms
Withstanding Voltage:335 V
Insulator Resistance:1000 M Ω
Contact Resistance:6 Milliohms Max(Center Contact)
1 Milliohms Max(Outer Contact)
Operating Temperature:-40 $^{\circ}$ C~+85 $^{\circ}$ C
Environmental:Lead Free, RoHS compliant

Order Information
L-KLS1-FAKRA09-A-9005-1-G

RoHS
Card Slot Direction: A=up B=down C=Left D=Right
RAL: 9005 Or 9001,5005,4004,6002,8011,7031,4003,1001,1027,3002,2003,6019,5021
Size-1,2,3,4...
Plating: G=Gold Plated N=Nickel Plated

ANGLE TOLERANCE	PROJECTION	Description:	Right Angle Plug Fakra Connector	
$\pm 3^{\circ}$				
GENERAL TOLERANCE	UNITS	mm	KLS P/N:	L-KLS1-FAKRA09-X-XXXX-1-X
x.x ± 0.30	SHEET SIZE	A4	2 Of 2	NingBo KLS ELECTRONIC CO.,L TD.
x.xx ± 0.20	Draw:	Daniel	2023-07-12	
x.xxx ± 0.03	Check:	Daniel	2023-07-12	