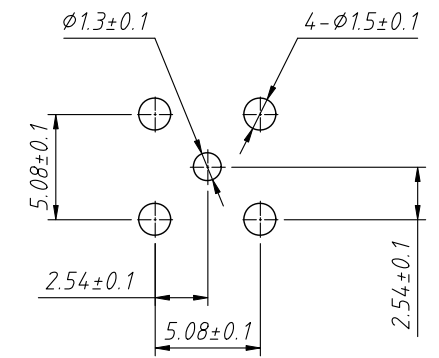
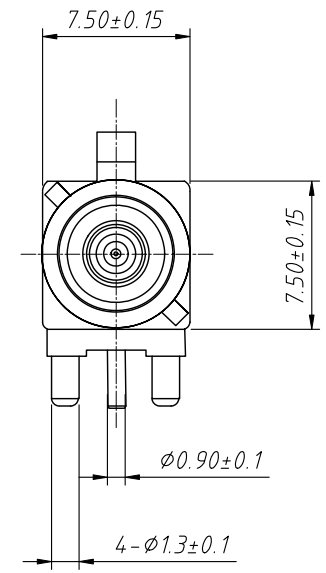
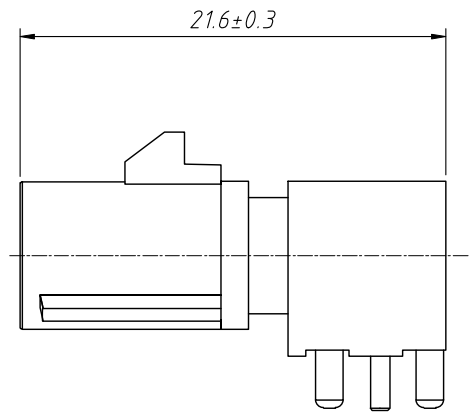
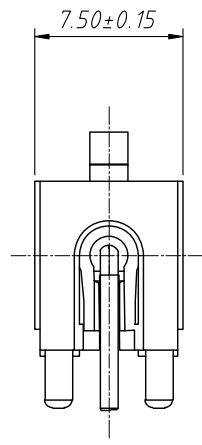
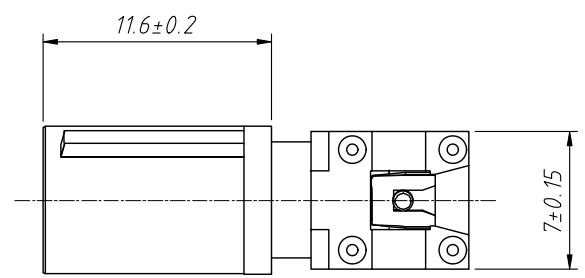
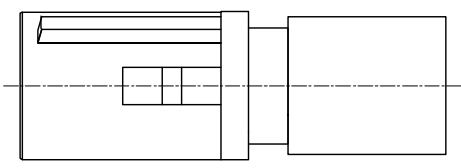


1
RoHS Compliance



Recommended PCB Layout



ANGLE TOLERANCE		PROJECTION		Description:	
±3°				Right angle plug Fakra connector	
GENERAL TOLERANCE		UNITS	mm	KLS P/N:	
x.x	±0.30	SHEET SIZE	A4	L-KLS1-FAKRA04-A-5005-1-Z	
x.xx	±0.20	Draw:	Daniel	2023-07-06	
x.xxx	±0.10	Check:	Daniel	2023-07-06	

KLS NingBo KLS ELECTRONIC CO.,L TD.

1
RoHS Compliance

Card slot direction	Color	RAL	Order Information
	Black	sim.9005	FAKRA04-A-9005-1-Z
	White	sim.9001	FAKRA04-A-9001-1-Z
	Blue	sim.5005	FAKRA04-A-5005-1-Z
	Purple	sim.4004	FAKRA04-A-4004-1-Z
	Green	sim.6002	FAKRA04-A-6002-1-Z
	Brown	sim.8011	FAKRA04-A-8011-1-Z
	Grey	sim.7031	FAKRA04-A-7031-1-Z
	Pink	sim.4003	FAKRA04-A-4003-1-Z
	Beige	sim.1001	FAKRA04-A-1001-1-Z
	Curry	sim.1027	FAKRA04-A-1027-1-Z
	Carmine	sim.3002	FAKRA04-A-3002-1-Z
	Pastelorange	sim.2003	FAKRA04-A-2003-1-Z
	Pastel Green	sim.6019	FAKRA04-A-6019-1-Z
	Waterblue	sim.5021	FAKRA04-A-5021-1-Z

Material:
 Insulator:PTFE
 Interface Housing:PA66+30%GF,Blue
 Core Pin:Brass,Gold Plating
 Outer Housing:Brass,Tin plating

Electrical:
 Impedance:50Ω
 vswr:≤1.5
 Tensile strength:≥98N

Environmental data:
 Temperature range:-40°C to +85°C

Notes:
 100% continuity, no short circuit, open circuit,
 instantaneous break, or misalignment;

Order Information
 L-KLS1-FAKRA04-A-5005-1-Z

RoHS
 Card Slot Direction:A=up
 B=down C=Left D=Right
 RAL:5005 Or
 9001,9005,4004,6002,8011,7031,
 4003,1001,1027,3002,2003,6019,5021
 Size-1,2,3,4...
 Internal code

ANGLE TOLERANCE	PROJECTION	Description:
±3°		Right angle plug Fakra connector
GENERAL TOLERANCE	UNITS	mm
x.x ±0.30	SHEET SIZE	A4
x.xx ±0.20	Draw:	Daniel
x.xxx ±0.10	Check:	Daniel
		KLS P/N: L-KLS1-FAKRA04-A-5005-1-Z
		2 Of 2
		2023-07-06
		2023-07-06

NingBo KLS ELECTRONIC CO.,L TD.