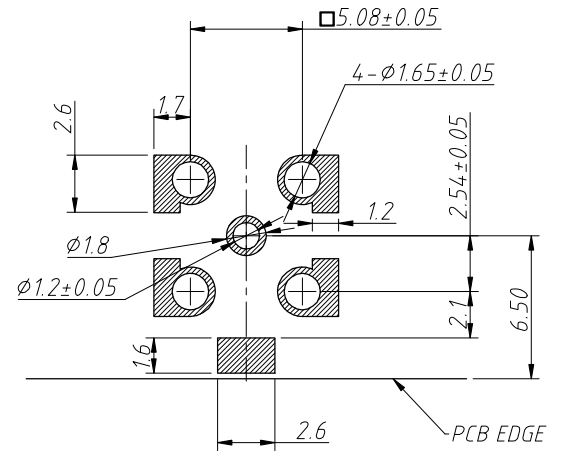
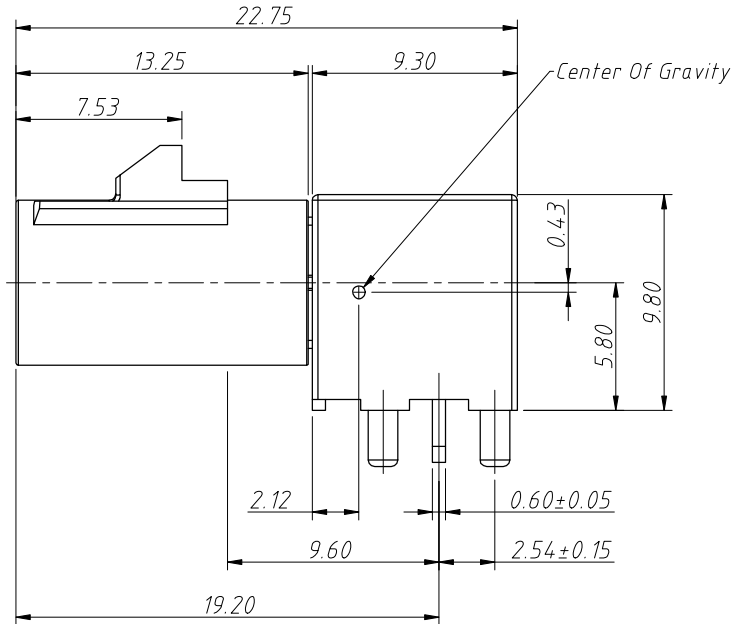
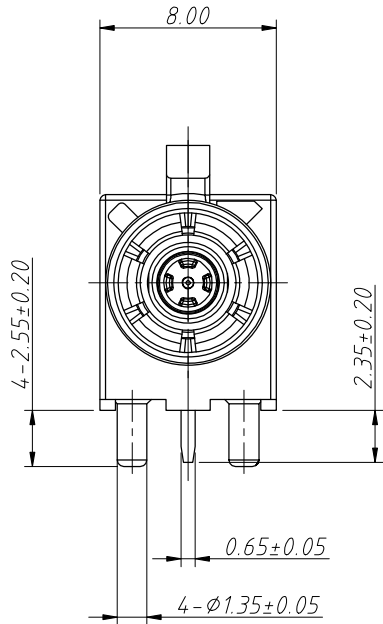
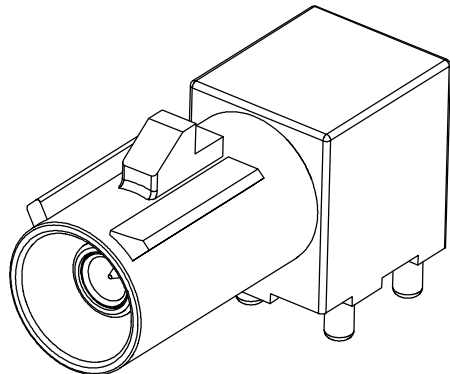
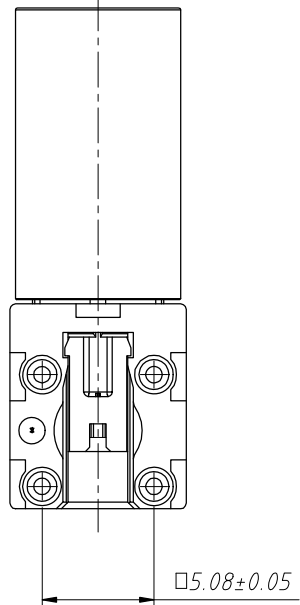


1  
RoHS Compliance



Recommended PCB Layout  
Tolerance: ±0.05mm



ANGLE TOLERANCE	PROJECTION	Description:		
±3°		Right Angle Plug Fakra Connector		
GENERAL TOLERANCE	UNITS	mm	KLS P/N:	L-KLS1-FAKRA05-X-XXXX-1
x.x ±0.30	SHEET SIZE	A4	1 OF 2	NingBo KLS ELECTRONIC CO.,L TD.
x.xx ±0.20	Draw:	Daniel	2023-05-04	
x.xxx ±0.10	Check:	Daniel	2023-05-04	

1  
RoHS Compliance

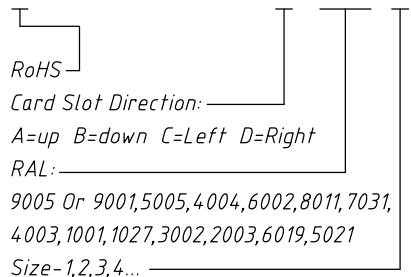
Card slot direction	Code	Color	RAL	Order Information
	A	Black	sim.9005	FAKRA05-A-9005-1-G
	B	White	sim.9001	FAKRA05-A-9001-1-G
	C	Blue	sim.5005	FAKRA05-A-5005-1-G
	D	Bordeaux Violet	sim.4004	FAKRA05-A-4004-1-G
	E	Green	sim.6002	FAKRA05-A-6002-1-G
	F	Brown	sim.8011	FAKRA05-A-8011-1-G
	G	Grey	sim.7031	FAKRA05-A-7031-1-G
	H	Violet	sim.4003	FAKRA05-A-4003-1-G
	I	Beige	sim.1001	FAKRA05-A-1001-1-G
	J	Curry	sim.1027	FAKRA05-A-1027-1-G
	K	Carmine Red	sim.3002	FAKRA05-A-3002-1-G
	L	Pastel orange	sim.2003	FAKRA05-A-2003-1-G
	M	Pastel Green	sim.6019	FAKRA05-A-6019-1-G
	N	Water Blue	sim.5021	FAKRA05-A-5021-1-G

Material:  
Core Pin:Brass,  
Gold Plating On Contact Area  
Tin Plating On Solder Tails  
Core Pin Holder:PA6T,Black  
Interface Housing:PA6T  
Outer Housing:Zn Alloy,Tin Plating

Electrical:  
Impedance:50 Ω  
Frequency Range:DC to 6GHz  
Test Voltage:750 V rms  
Working Voltage:AC 335Vrms  
Power Current:1 A DC  
Insulation Resitance:1000M Ω Initial  
Voltage Standing Wave Ratio(VSWR):SWR≤1.4,0~2GHz  
SWR≤1.5,2~3GHz

Mating Cycles:25 Cycles Min  
Engagement Force:40 N Max  
Disengagement Force:2 N Min  
Retention Force:110 N Min  
Coding Efficiency:80 N Min  
Temp. Range:-40°C to +105°C

Order Information  
L-KLS1-FAKRA05-A-9005-1



ANGLE TOLERANCE	PROJECTION	Description:	Right Angle Plug Fakra Connector	
±3°				
GENERAL TOLERANCE	UNITS	mm	KLS P/N:	L-KLS1-FAKRA05-X-XXXX-1
x.x ±0.30	SHEET SIZE	A4	2 Of 2	NingBo KLS ELECTRONIC CO.,L TD.
x.xx ±0.20	Draw:	Daniel	2023-07-12	
x.xxx ±0.03	Check:	Daniel	2023-07-12	