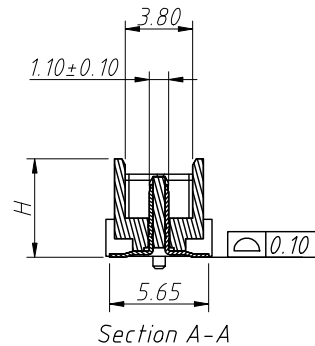
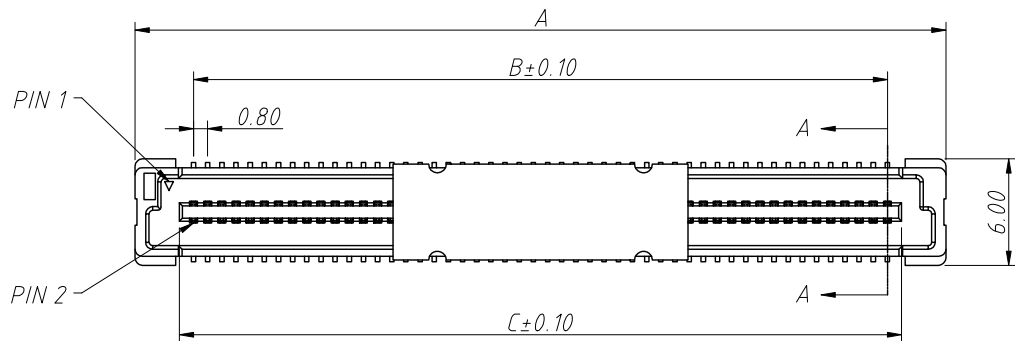


1 RoHS Compliance

REV	SYM	Revision Record	Appr.	Date
V0	KLS01629	New Version Release	Jenny	2024-05-17

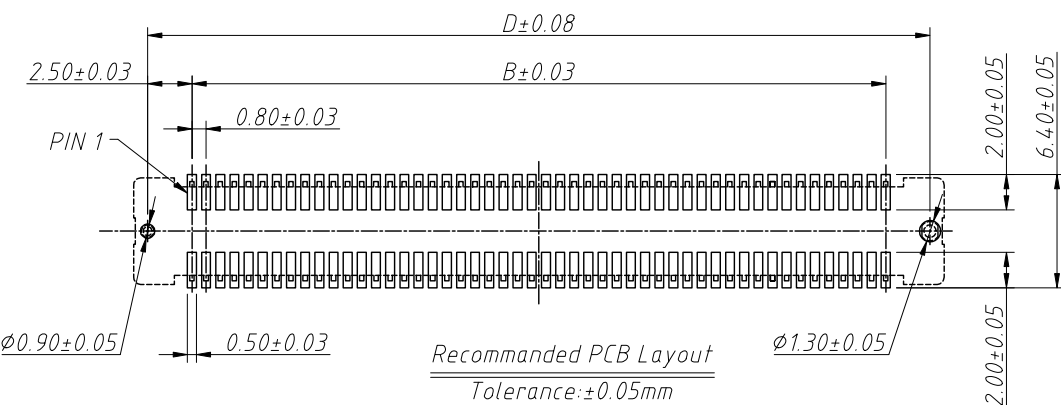
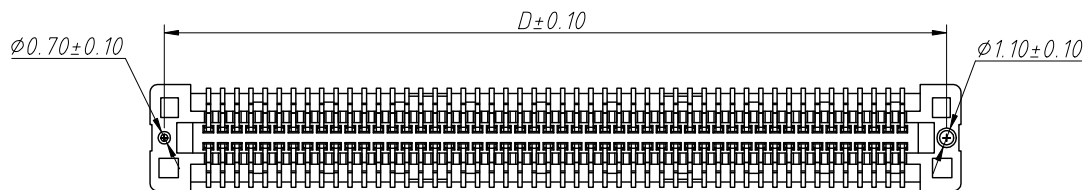
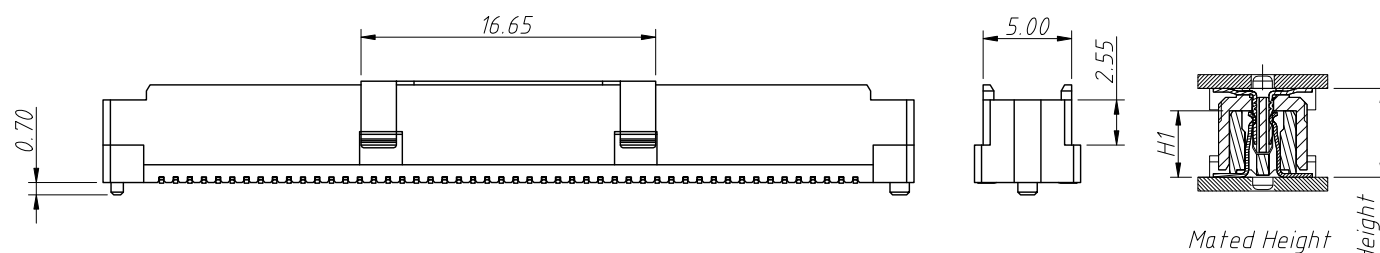


Socket	Mated Height			
	Plug H			
H1	4.65	5.70	6.70	7.70
3.75	5.00	6.00	7.00	8.00
7.70	9.00	10.00	11.00	12.00
11.70	13.00	14.00	15.00	16.00
15.70	17.00	18.00	19.00	20.00

Order Information

L-KLS1-B0208-XX M XX-T3 R-G1

- L:RoHS
- Board To Board
- Pitch=0.80mm
- Height See table
- Type:M=Male
- XX=No. Of Contact
- Installation Mode:T=SMD
- T3=SMD With Post
- Packing:R=Reel
- Plating:G1=1u" Gold Plating G10=10u" Gold
- G15=15u" Gold G18=8u" Gold Over Tin



- Notes:
- Housing:LCP High-Temp Thermoplastic UL94V-0,White
  - Terminal:Copper Alloy,1u" Gold Plated On Contact Area Tin Plated Overall

Pins	Dimension				Pins	Dimension			
	A	B	C	D		A	B	C	D
40	21.80	15.20	16.80	20.20	120	53.80	47.20	48.80	52.20
50	25.80	19.20	20.80	24.20	140	61.80	55.20	46.80	60.20
60	29.80	23.20	24.80	28.20	160	69.80	63.20	64.80	68.20
80	37.80	31.20	32.80	36.20	180	77.80	71.20	72.80	76.20
100	45.80	39.20	40.80	44.20	200	85.80	79.20	80.80	84.20

ANGLE TOLERANCE	PROJECTION	Description:	0.80mm Pitch Male	
±3°			Board to Board Connector	
GENERAL TOLERANCE	UNITS	mm	KLS P/N:	L-KLS1-B0208-XXMXX-T3R-G1
.x ±0.30	SHEET SIZE	A4		
.xx ±0.20	Draw:	Jenny	2024-05-17	
.xxx ±0.10	Check:	Daniel	2024-05-17	

NingBo KLS ELECTRONIC CO.,L.TD.

RoHS Compliance

REV	SYM	Revision Record	Appr.	Date
V0	KLS01629	New Version Release	Jenny	2024-05-17

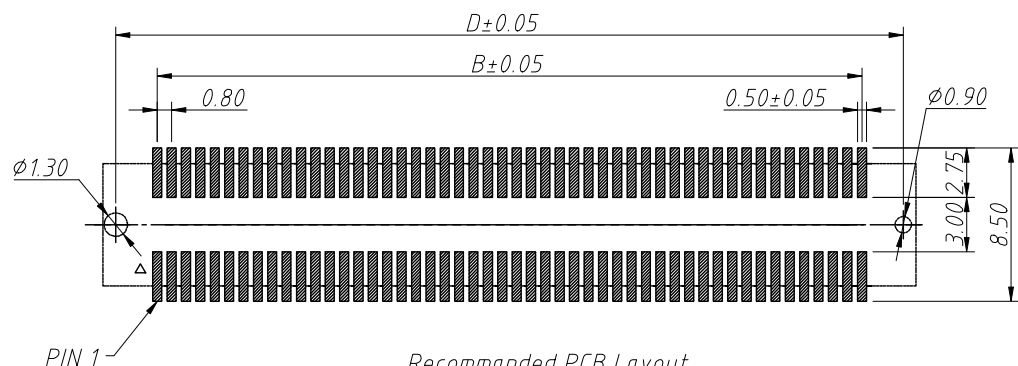
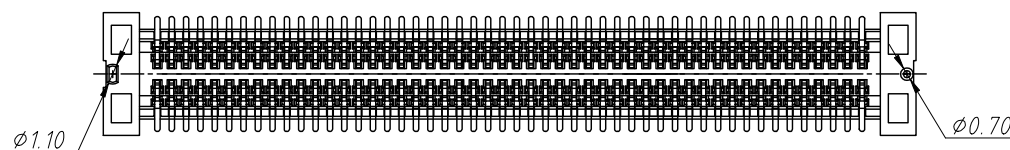
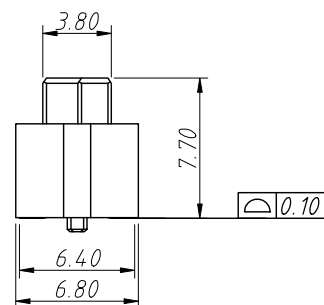
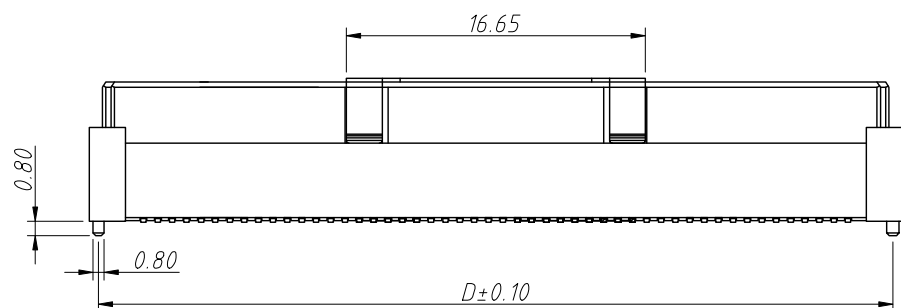
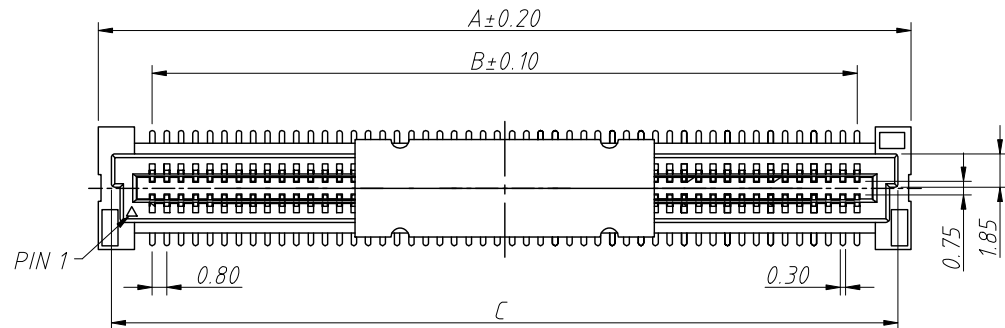
Notes:

- Huosing:LCP High-Temp Thermoplastic UL 94 V-0,Beige
- Terminal:Copper Alloy,  
1u" Gold Plated On Contact Area  
Tin Plated Overall

Order Information

L-KLS1-B0208-XX F XX-T3 R-G1

- L:RoHS
- Board To Board
- Pitch=0.80mm
- Height See table
- Type:F=Female
- XX=No. Of Contact
- Installation Mode:T=SMD
- T3=SMD With Post
- Paching:R=Reel
- Plating:G1=1u"Gold Plating
- G10=10u"Gold    G15=15u" Gold    G30=30u"Gold
- GF8=8u" Gold Over Tin



Recommended PCB Layout  
Tolerance:±0.05mm

Pins	Dimension				Pins	Dimension			
	A	B	C	D		A	B	C	D
40	21.20	15.20	19.80	20.20	120	53.20	47.20	51.80	52.20
50	25.20	19.20	23.80	24.20	140	61.20	55.20	59.80	60.20
60	29.20	23.20	27.80	28.20	160	69.20	63.20	67.80	68.20
80	37.20	31.20	35.80	36.20	180	77.20	71.20	75.80	76.20
100	45.20	39.20	43.80	44.20	200	85.20	79.20	83.80	84.20

ANGLE TOLERANCE	PROJECTION	Description:	
±3°		0.80mm Pitch,Female Board to Board Connector	
GENERAL TOLERANCE	UNITS	mm	KLS P/N:
.x ±0.30	SHEET SIZE	A4	L-KLS1-B0208-XXFXX-T3R-G1
.xx ±0.20	Draw:	Jenny	2024-05-17
.xxx ±0.10	Check:	Daniel	2024-05-17



NingBo KLS ELECTRONIC CO.,L TD.