

Material

Housing:Hing Temperature Thermoplastic,UL 94V-0
PBT/LCP,Black/White.

Contact:Copper Alloy C2680.

Shell:Copper Alloy C2680/SPCC.

Finish:

Contact:Plated Gold In Mating Area;Tin On Solder Tall.

Shell:Nickel Plating.

Electrical:

Current Rating:1.5A/Contact Terminal.

Voltage Rating:30V DC

Contact Resistance:30mΩ Max.

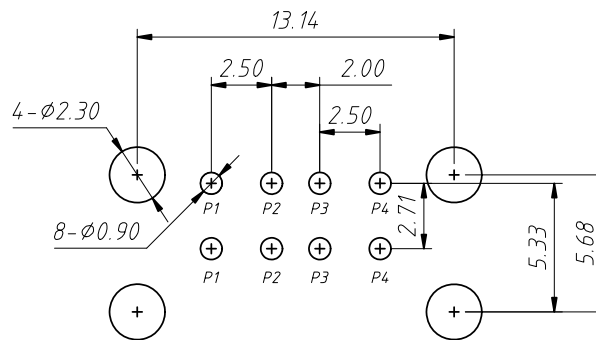
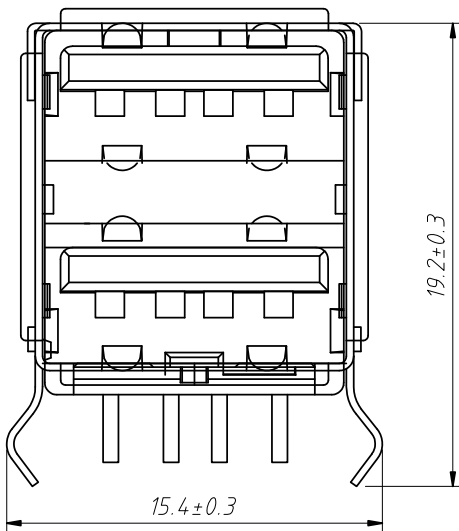
Dielectric Withstanding Voltage:500 V AC AT Sea Level.

Insulation Resistance:1000MΩ Min.

Connector Mate and Unmated Force

Mate Force:3.75kgf Max.

Unmated Force:1.02kgf Min.



RECOMMENDED PCB PATTERN LAYOUT

Order Information

L-KLS1- 153 - B

Color:W=White B=Black L=Blue

CONN USB 2.0

RoHS

GENERAL TOLERANCE	ANGLE TOLERANCE	PROJECTION	Description:
X. ±0.60	X. ±5°	UNITS	CONN USB 2.0 A TYPE Female R/A
.X ±0.38	.X ±3°	SHEET SIZE	
.XX ±0.25	.XX ±2°	KLS P/N:	

Draw by: Date 2023-04-24

Check by: Date 2023-04-24

SCALE SHEET OF



NingBo KLS ELECTRONIC CO.,L TD.