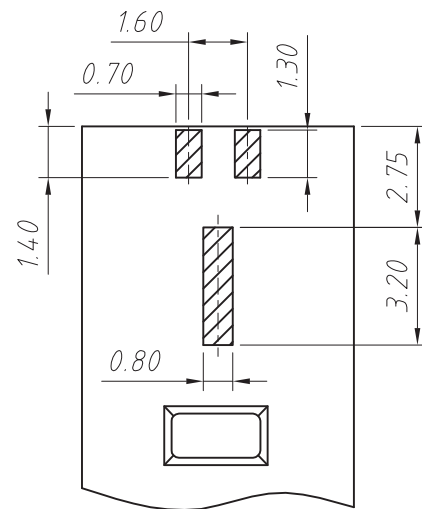
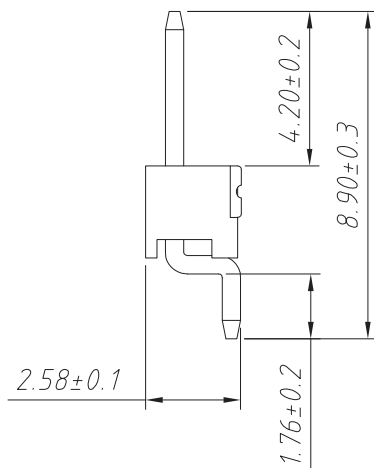
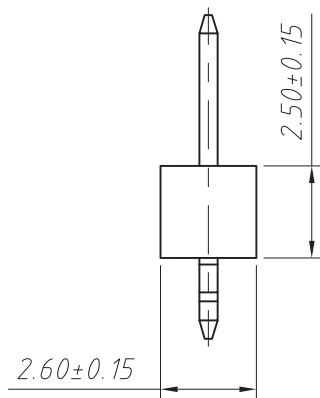


1 RoHS Compliant



Mating Aluminum plate detail

MATERIAL

Insulator:LCP,UL94V-0,Beige

Contacts:Brass,Tin-plated

Solder Tab:Phosphor Bronze,Tin-plated

Main Specifications

Contact Resistance: $\leq 20m\Omega$

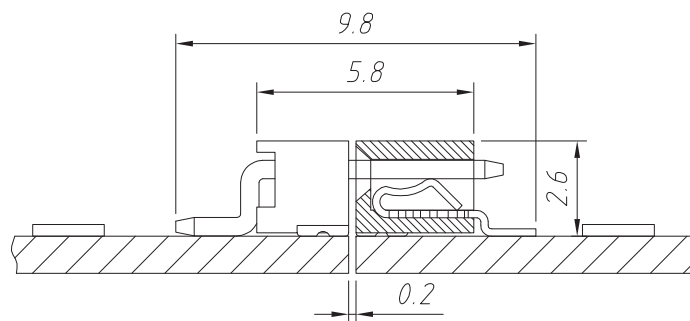
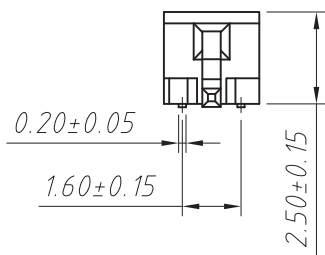
Insulation Resistance: $\geq 800M\Omega$

Rated Voltage:125V AC DC

Rated Current:1.0A AC DC

Withstanding Voltage:800V AC/minute

Temperature Range: $-25^{\circ}C \sim +105^{\circ}C$



Assembly Layout

Order Information

L-KLS2- L35A-01P

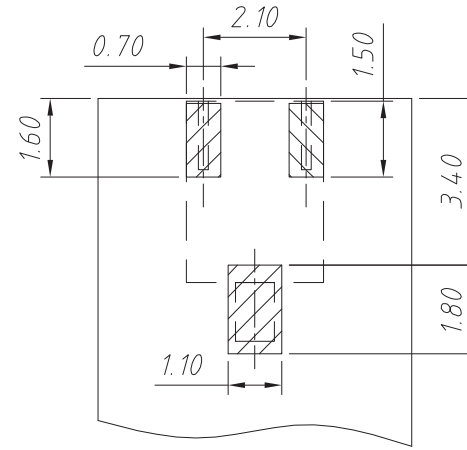
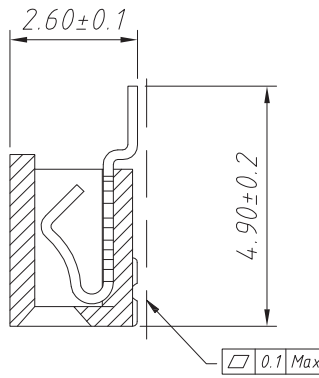
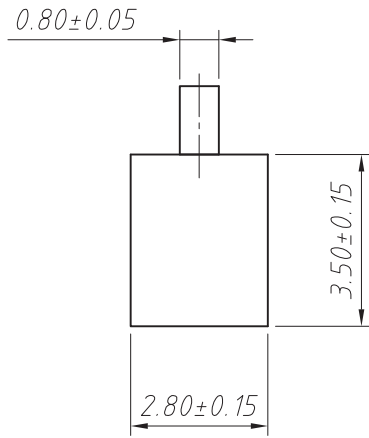
Number of Poles:01P

Series No.

RoHS

GENERAL TOLERANCE		ANGLE TOLERANCE		PROJECTION	Description:
X. ± 0.15		X. $\pm 5^{\circ}$		UNITS	Board to Board Link, for LED Lighting,Pitch 1.8mm L-KLS2-L35A-XXP
.X ± 0.03		.X $\pm 3^{\circ}$		SHEET SIZE	
.XX ± 0.05		.XX $\pm 2^{\circ}$		KLS P/N:	
Draw by:	Jenny	Date:	2018-03-10	 NingBo KLS ELECTRONIC CO.,L TD.	
Check by:	Daniel	Date:	2018-03-10		
SCALE	1:1	SHEET	1 OF 1		

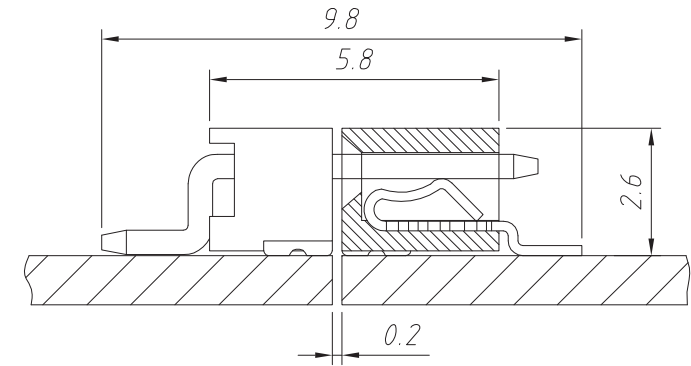
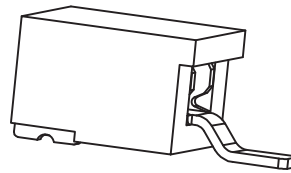
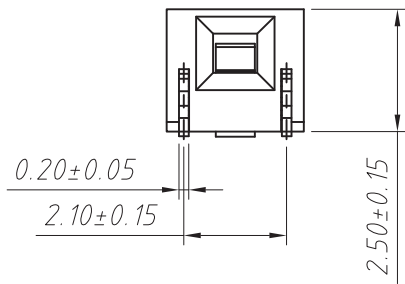
1 RoHS Compliant



Mating Aluminum plate detail

MATERIAL
 Insulator:LCP,UL 94V-0,Beige
 Contacts:Phosphor Bronze,Tin-plated
 Solder Tab:Phosphor Bronze,Tin-plated

Main Specifications
 Contact Resistance: $\leq 20m\Omega$
 Insulation Resistance: $\geq 800M\Omega$
 Rated Voltage:125V AC DC
 Rated Current:1.0A AC DC
 Withstanding Voltage:800V AC/minute
 Temperature Range: $-25^{\circ}C \sim +105^{\circ}C$



Assembly Layout

Order Information

L-KLS2- L35Y-01P

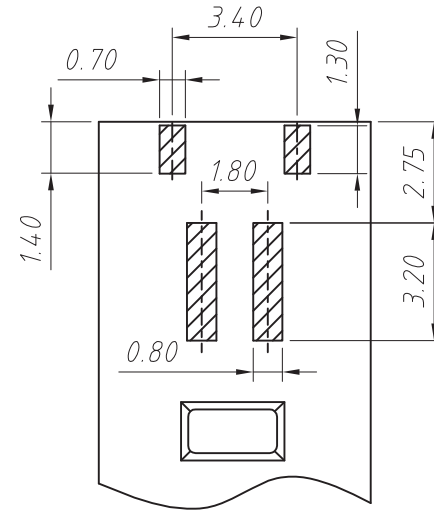
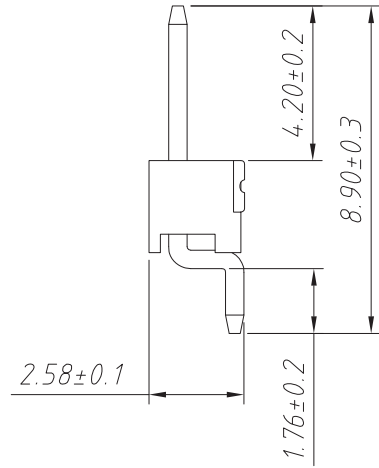
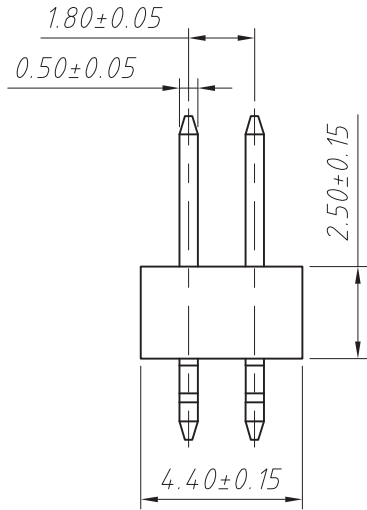
Number of Poles:01P

Series No.

RoHS

GENERAL TOLERANCE		ANGLE TOLERANCE		PROJECTION		Description:	
X.	± 0.15	X.	$\pm 5^{\circ}$	UNITS		Board to Board Link, for LED Lighting,Pitch 1.8mm L-KLS2-L35Y-XXP	
.X	± 0.03	.X	$\pm 3^{\circ}$	SHEET SIZE	A4		
.XX	± 0.05	.XX	$\pm 2^{\circ}$	KLS P/N:			
Draw by:	Jenny	Date:	2018-03-10			NingBo KLS ELECTRONIC CO.,L TD.	
Check by:		Date:	2018-03-10				
SCALE		SHEET	1 OF 1				

1 RoHS Compliant



Mating Aluminum plate detail

MATERIAL

Insulator:LCP,UL94V-0,Beige

Contacts:Brass,Tin-plated

Solder Tab:Phosphor Bronze,Tin-plated

Main Specifications

Contact Resistance:≤20mΩ

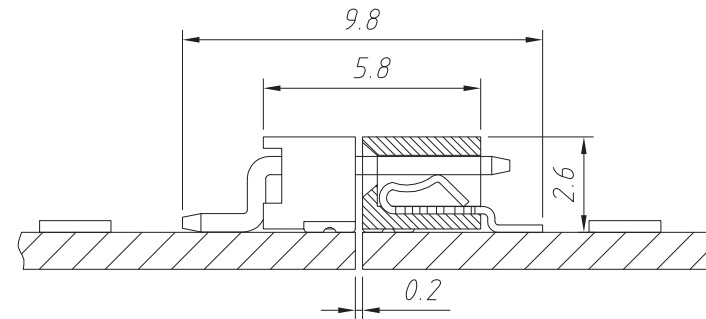
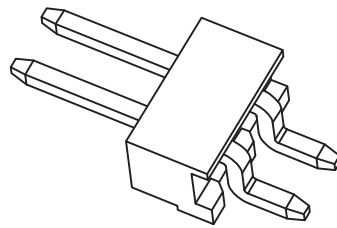
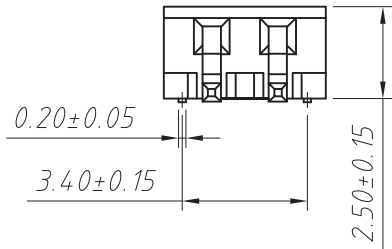
Insulation Resistance:≥800MΩ

Rated Voltage:125V AC DC

Rated Current:1.0A AC DC

Withstanding Voltage:800V AC/minute

Temperature Range: -25 °C ~ +105° C



Assembly Layout

Order Information

L-KLS2- L35A-02P

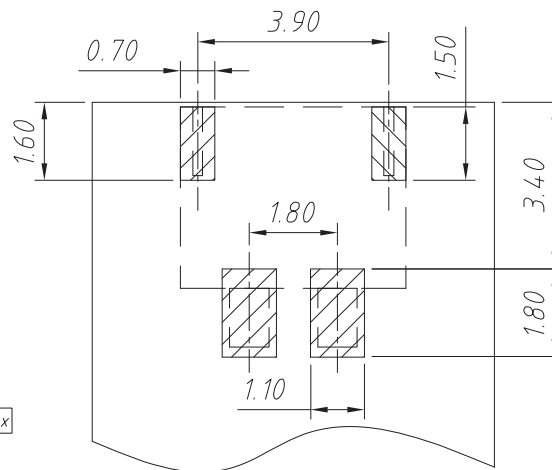
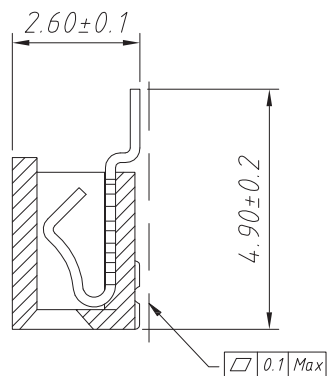
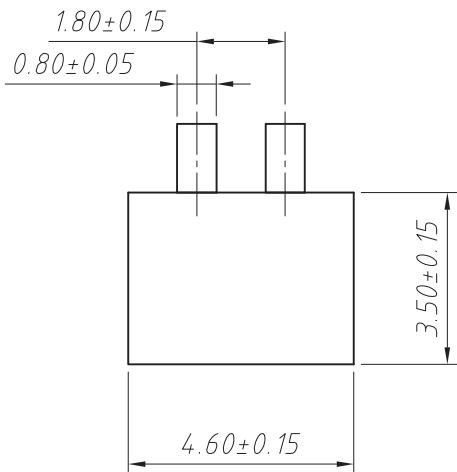
Number of Poles:02P

Series No.

RoHS

GENERAL TOLERANCE		ANGLE TOLERANCE		PROJECTION	Description:
X	±0.15	X	±5°	UNITS	Board to Board Link, for LED Lighting,Pitch 1.8mm L-KLS2-L35A-XXP
.X	±0.03	.X	±3°	SHEET SIZE	
.XX	±0.05	.XX	±2°	KLS P/N:	
Draw by:	Jenny	Date:	2018-03-10	 NingBo KLS ELECTRONIC CO.,L TD.	
Check by:		Date:	2018-03-10		
SCALE		SHEET	1 OF 1		

1 RoHS Compliant



Mating Aluminum plate detail

MATERIAL

Insulator:LCP,UL 94V-0,Beige

Contacts:Phosphor Bronze,Tin-plated

Solder Tab:Phosphor Bronze,Tin-plated

Main Specifications

Contact Resistance: $\leq 20m\Omega$

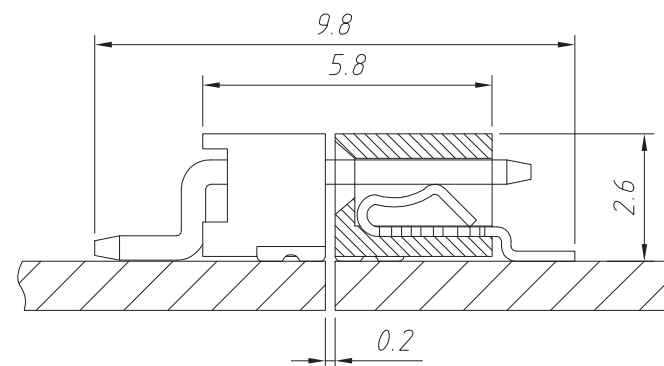
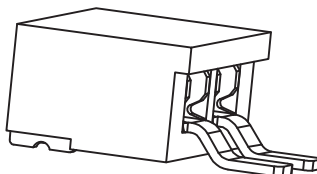
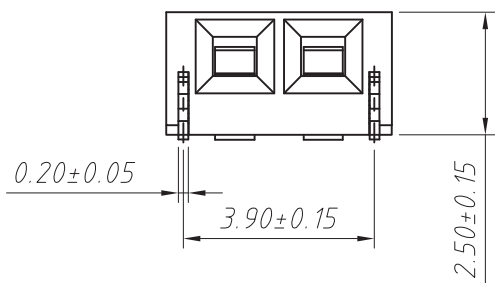
Insulation Resistance: $\geq 800M\Omega$

Rated Voltage:125V AC DC

Rated Current:1.0A AC DC

Withstanding Voltage:800V AC/minute

Temperature Range: $-25^{\circ}C \sim +105^{\circ}C$



Assembly Layout

Order Information

L-KLS2- L35Y-02P

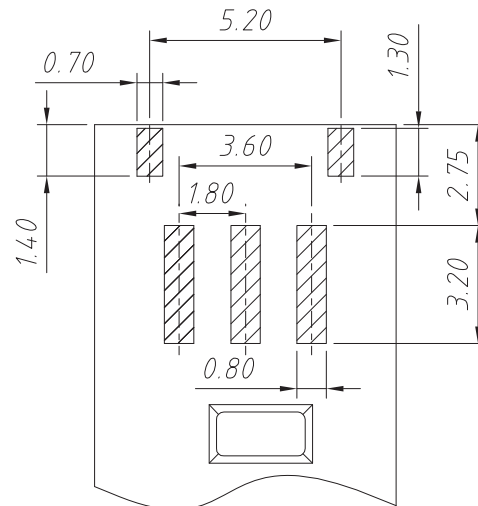
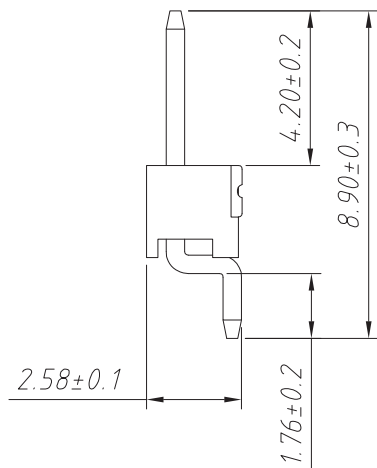
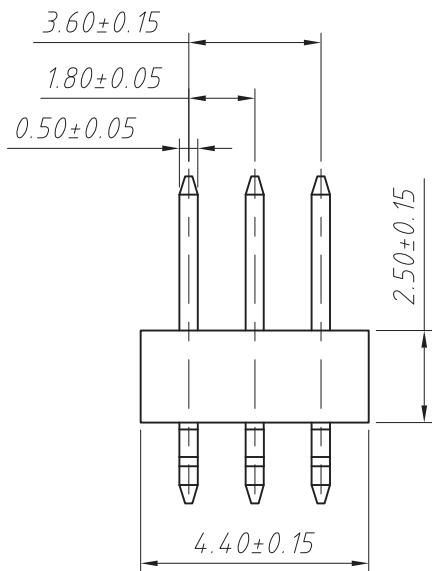
Number of Poles:02P

Series No.

RoHS

GENERAL TOLERANCE		ANGLE TOLERANCE		PROJECTION	Description:	
X.	± 0.15	X.	$\pm 5^{\circ}$	UNITS		Board to Board Link, for LED Lighting,Pitch 1.8mm L-KLS2-L35Y-XXP
.X	± 0.03	.X	$\pm 3^{\circ}$	SHEET SIZE	A4	
.XX	± 0.05	.XX	$\pm 2^{\circ}$	KLS P/N:		
Draw by:	Jenny	Date:	2018-03-10	 NingBo KLS ELECTRONIC CO.,L TD.		
Check by:		Date:	2018-03-10			
SCALE		SHEET	1 OF 1			

RoHS Compliant



Mating Aluminum plate detail

MATERIAL

Insulator:LCP,UL 94V-0,Beige

Contacts:Brass,Tin-plated

Solder Tab:Phosphor Bronze,Tin-plated

Main Specifications

Contact Resistance: $\leq 20m\Omega$

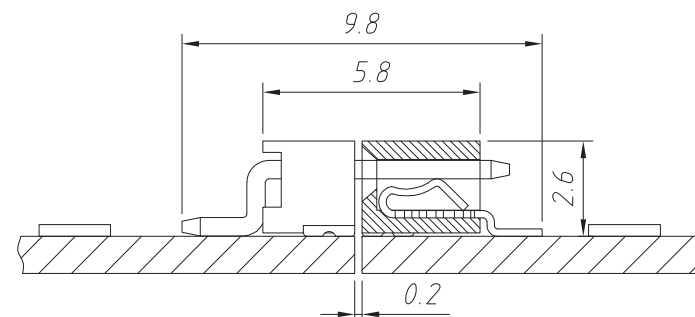
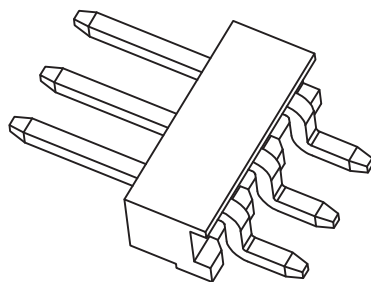
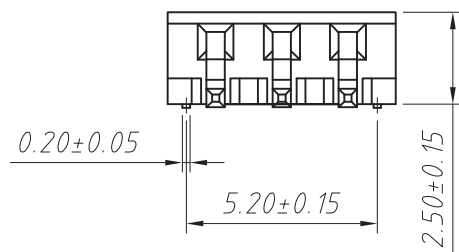
Insulation Resistance: $\geq 800M\Omega$

Rated Voltage:125V AC DC

Rated Current:1.0A AC DC

Withstanding Voltage:800V AC/minute

Temperature Range: $-25^{\circ}C \sim +105^{\circ}C$



Assembly Layout


Order Information

L-KLS2-L35A-03P

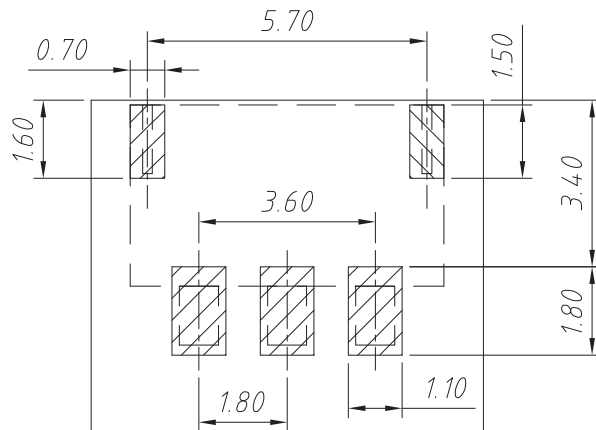
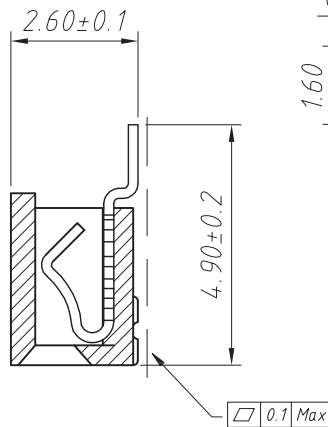
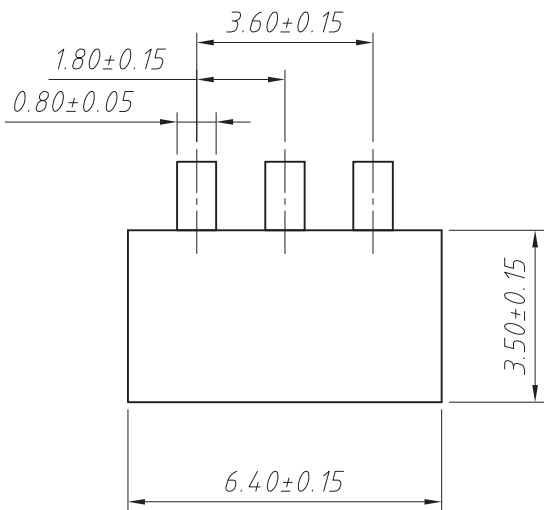
Number of Poles:03P

Series No.

RoHS

GENERAL TOLERANCE		ANGLE TOLERANCE		PROJECTION	Description:
X. ± 0.15		X. $\pm 5^{\circ}$		UNITS	Board to Board Link, for LED Lighting,Pitch 1.8mm L-KLS2-L35A-XXP
.X ± 0.03		.X $\pm 3^{\circ}$		SHEET SIZE	
.XX ± 0.05		.XX $\pm 2^{\circ}$		KLS P/N:	
Draw by:	Jenny	Date:	2018-03-10	 NingBo KLS ELECTRONIC CO.,L TD.	
Check by:		Date:	2018-03-10		
SCALE		SHEET	1 OF 1		

RoHS Compliant



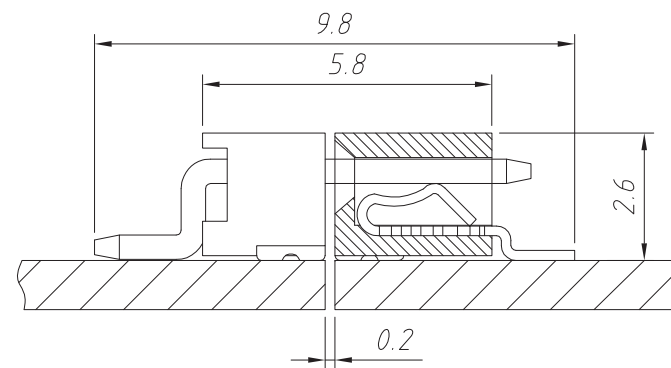
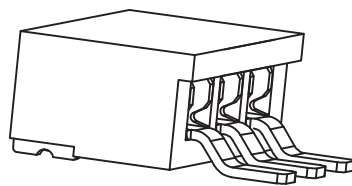
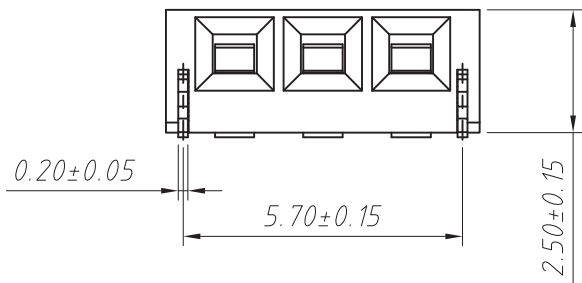
Mating Aluminum plate detail

MATERIAL

Insulator: LCP, UL 94 V-0, Beige
 Contacts: Phosphor Bronze, Tin-plated
 Solder Tab: Phosphor Bronze, Tin-plated

Main Specifications

Contact Resistance: $\leq 20m\Omega$
 Insulation Resistance: $\geq 800M\Omega$
 Rated Voltage: 125V AC DC
 Rated Current: 1.0A AC DC
 Withstanding Voltage: 800V AC/minute
 Temperature Range: $-25^{\circ}C \sim +105^{\circ}C$



Assembly Layout


Order Information

L-KLS2-L35Y-03P

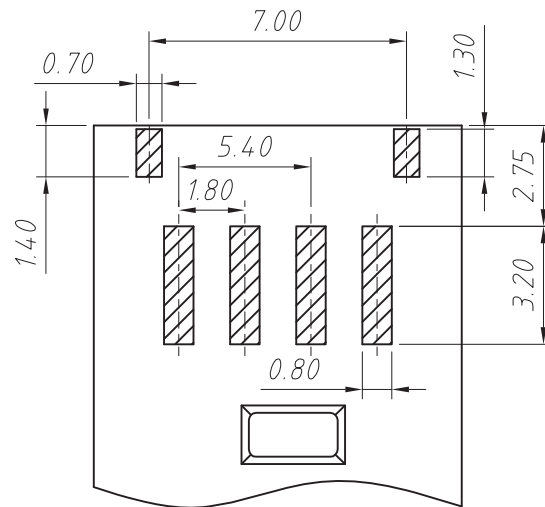
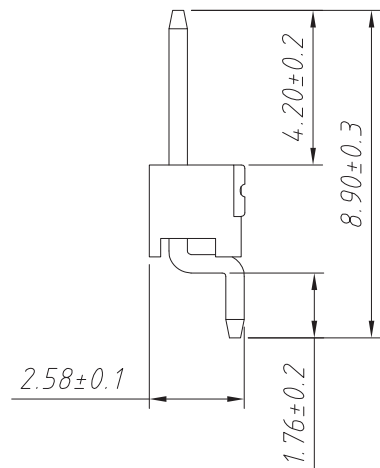
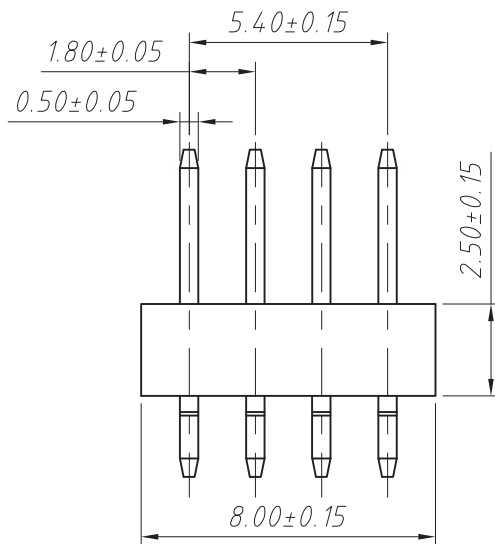
Number of Poles: 03P

Series No.

RoHS

GENERAL TOLERANCE		ANGLE TOLERANCE		PROJECTION	Description:	
X	± 0.15	X	$\pm 5^{\circ}$	UNITS		Board to Board Link, for LED Lighting, Pitch 1.8mm
.X	± 0.03	.X	$\pm 3^{\circ}$	SHEET SIZE	A4	
.XX	± 0.05	.XX	$\pm 2^{\circ}$	KLS P/N:	L-KLS2-L35Y-XXP	
Draw by:	Jenny	Date:	2018-03-10	 NingBo KLS ELECTRONIC CO.,L TD.		
Check by:		Date:	2018-03-10			
SCALE		SHEET	1 OF 1			

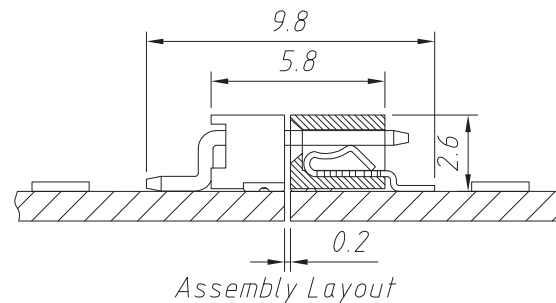
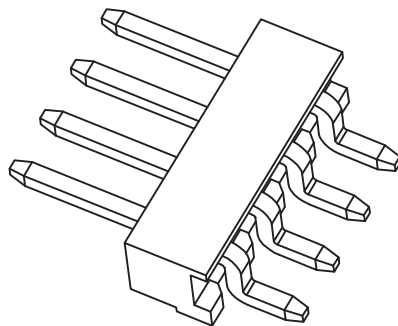
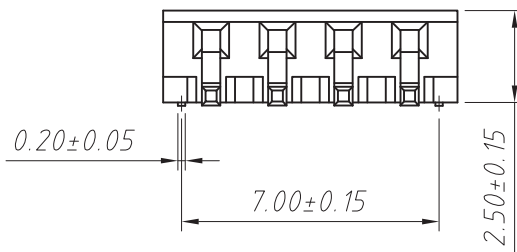
1 RoHS Compliant



Mating Aluminum plate detail

MATERIAL
 Insulator: LCP, UL 94V-0, Beige
 Contacts: Brass, Tin-plated
 Solder Tab: Phosphor Bronze, Tin-plated

Main Specifications
 Contact Resistance: $\leq 20m\Omega$
 Insulation Resistance: $\geq 800M\Omega$
 Rated Voltage: 125V AC DC
 Rated Current: 1.0A AC DC
 Withstanding Voltage: 800V AC/minute
 Temperature Range: $-25^{\circ}C \sim +105^{\circ}C$



Assembly Layout

Order Information

L-KLS2- L35A-04P

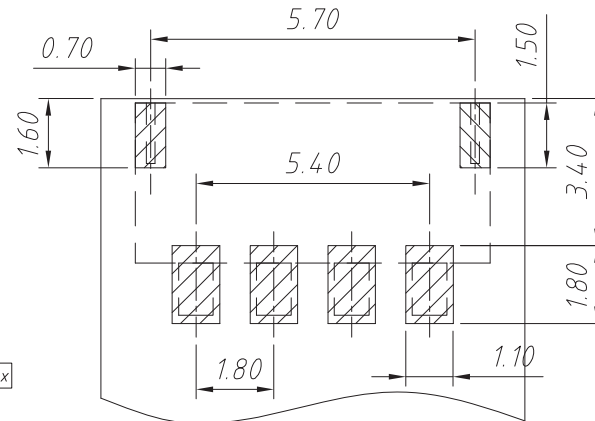
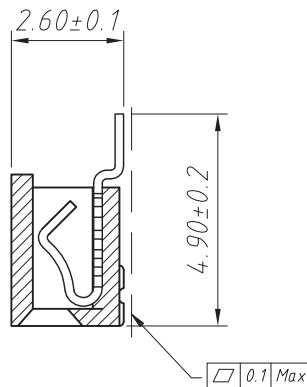
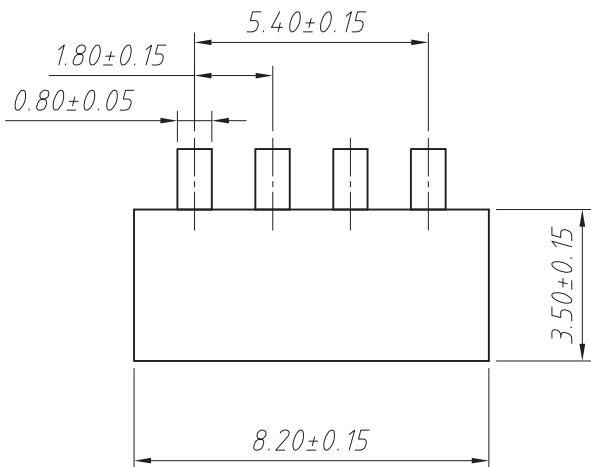
Number of Poles: 04P

Series No.

RoHS

GENERAL TOLERANCE		ANGLE TOLERANCE		PROJECTION		Description:	
X	± 0.15	X	$\pm 5^{\circ}$	UNITS	mm	Board to Board Link, for LED Lighting, Pitch 1.8mm L-KLS2-L35A-XXP	
.X	± 0.03	.X	$\pm 3^{\circ}$	SHEET SIZE	A4		
.XX	± 0.05	.XX	$\pm 2^{\circ}$	KLS P/N:			
Draw by:	Jenny	Date:	2018-03-10	 NingBo KLS ELECTRONIC CO.,L TD.			
Check by:		Date:	2018-03-10				
SCALE		SHEET	1 OF 1				

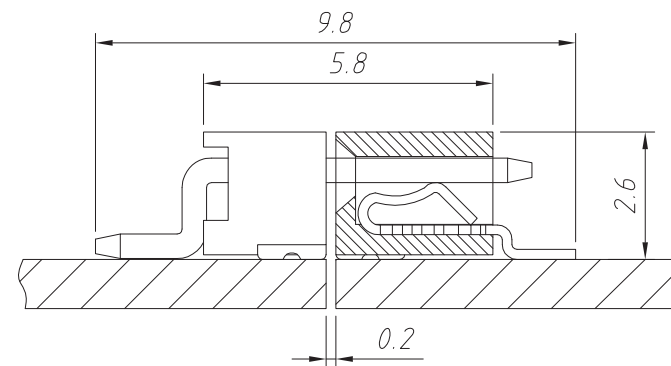
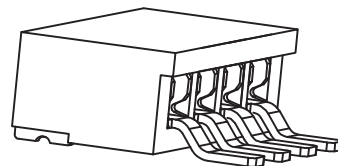
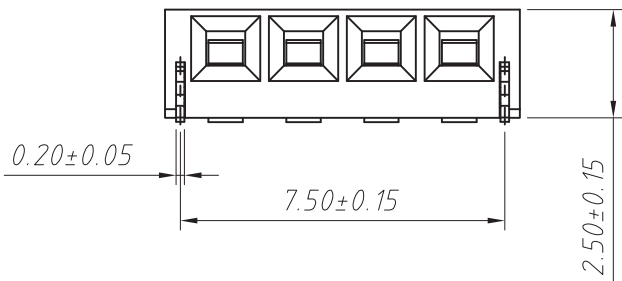
1 RoHS Compliant



Mating Aluminum plate detail

MATERIAL
 Insulator:LCP,UL 94V-0,Beige
 Contacts:Phosphor Bronze,Tin-plated
 Solder Tab:Phosphor Bronze,Tin-plated

Main Specifications
 Contact Resistance: $\leq 20m\Omega$
 Insulation Resistance: $\geq 800M\Omega$
 Rated Voltage:125V AC DC
 Rated Current:1.0A AC DC
 Withstanding Voltage:800V AC/minute
 Temperature Range: $-25^{\circ}C \sim +105^{\circ}C$



Assembly Layout

Order Information

L-KLS2- L35Y-04P

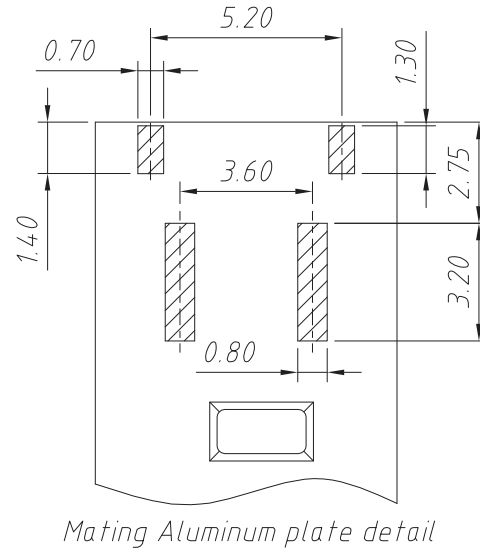
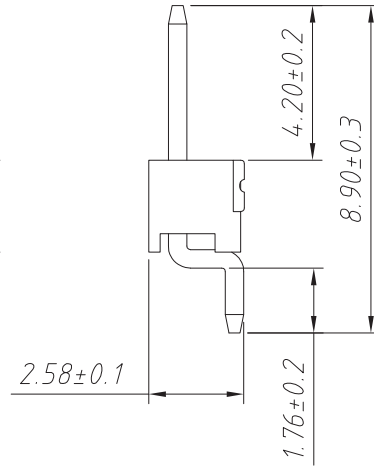
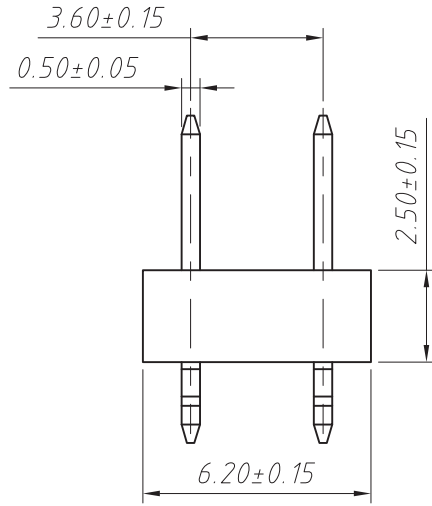
Number of Poles:04P

Series No.

RoHS

GENERAL TOLERANCE		ANGLE TOLERANCE		PROJECTION	Description:
X.	± 0.15	X.	$\pm 5^{\circ}$	UNITS	Board to Board Link, for LED Lighting,Pitch 1.8mm L-KLS2-L35Y-XXP
.X	± 0.03	.X	$\pm 3^{\circ}$	SHEET SIZE	
.XX	± 0.05	.XX	$\pm 2^{\circ}$	KLS P/N:	
Draw by:	Jenny	Date:	2018-03-10	 NingBo KLS ELECTRONIC CO.,L TD.	
Check by:		Date:	2018-03-10		
SCALE		SHEET	1 OF 1		

1 RoHS Compliant



MATERIAL

Insulator:LCP,UL 94V-0,Beige

Contacts:Brass,Tin-plated

Solder Tab:Phosphor Bronze,Tin-plated

Main Specifications

Contact Resistance: $\leq 20m\Omega$

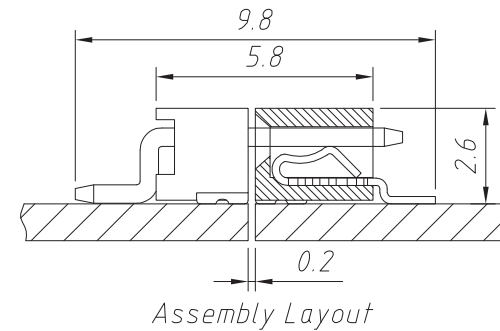
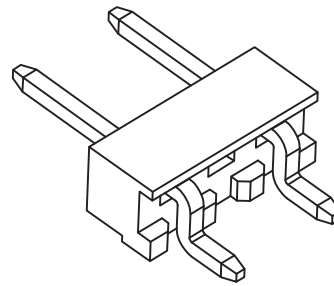
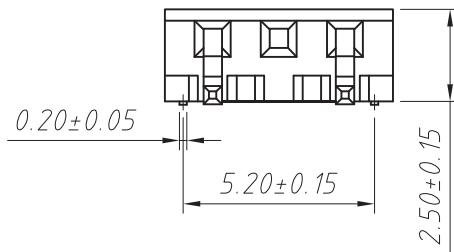
Insulation Resistance: $\geq 800M\Omega$

Rated Voltage:125V AC DC

Rated Current:1.0A AC DC

Withstanding Voltage:800V AC/minute

Temperature Range: $-25^{\circ}C \sim +105^{\circ}C$



Order Information

L-KLS2- L35A- 02K

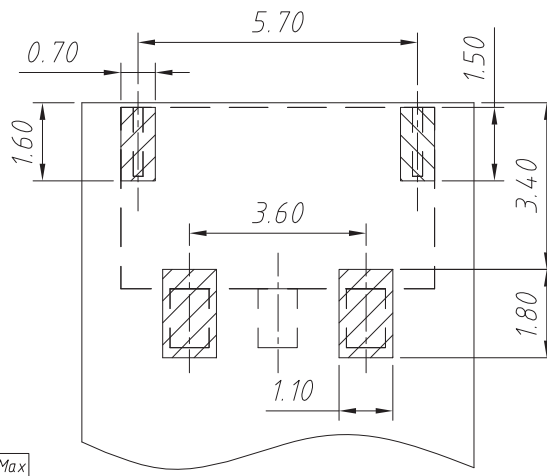
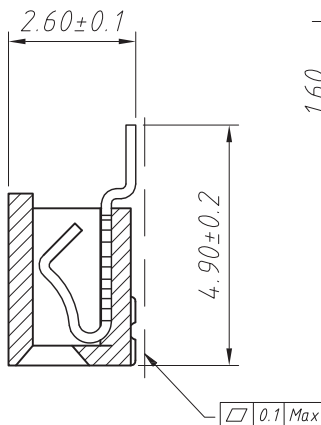
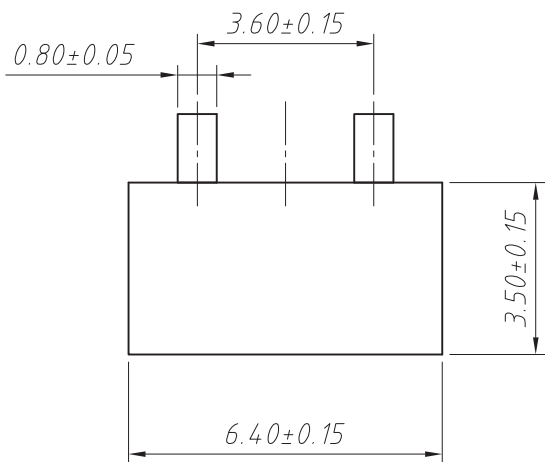
Number of Poles:3Pin Key 1Pin

Series No.

RoHS

GENERAL TOLERANCE		ANGLE TOLERANCE		PROJECTION		Description:	
X	± 0.15	X	$\pm 5^{\circ}$	UNITS	mm	Board to Board Link, for LED Lighting,Pitch 3.6mm	
.X	± 0.03	.X	$\pm 3^{\circ}$	SHEET SIZE	A4		
.XX	± 0.05	.XX	$\pm 2^{\circ}$		KLS P/N:		
Draw by:	Jenny	Date:	2018-03-10			NingBo KLS ELECTRONIC CO.,L TD.	
Check by:		Date:	2018-03-10				
SCALE		SHEET	1 OF 1				

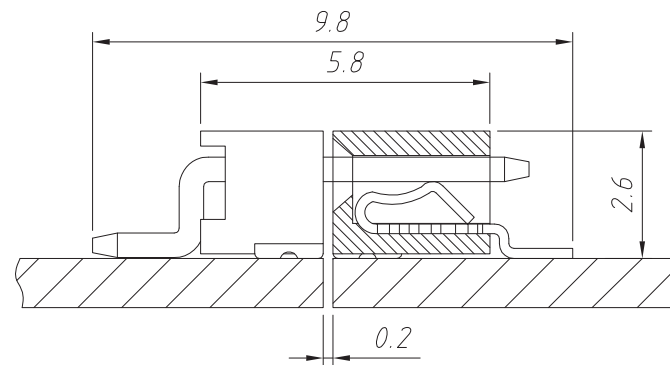
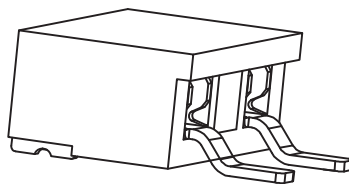
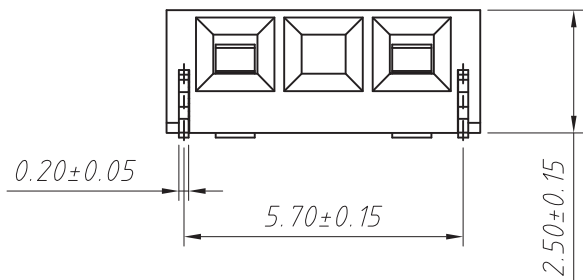
1 RoHS Compliant



Mating Aluminum plate detail

MATERIAL
 Insulator: LCP, UL 94V-0, Beige
 Contacts: Phosphor Bronze, Tin-plated
 Solder Tab: Phosphor Bronze, Tin-plated

Main Specifications
 Contact Resistance: $\leq 20m\Omega$
 Insulation Resistance: $\geq 800M\Omega$
 Rated Voltage: 125V AC DC
 Rated Current: 1.0A AC DC
 Withstanding Voltage: 800V AC/minute
 Temperature Range: $-25^{\circ}C \sim +105^{\circ}C$



Assembly Layout

Order Information

L-KLS2- L35Y- 02K

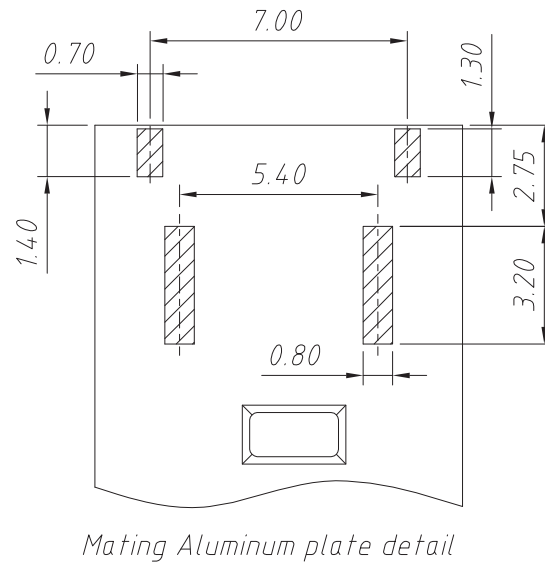
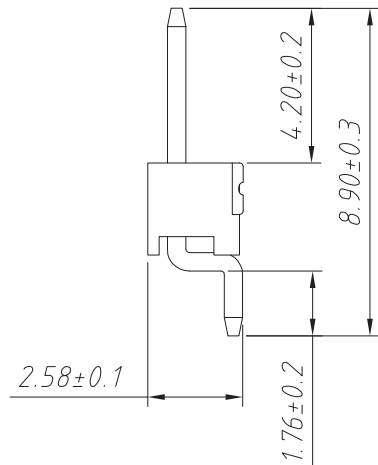
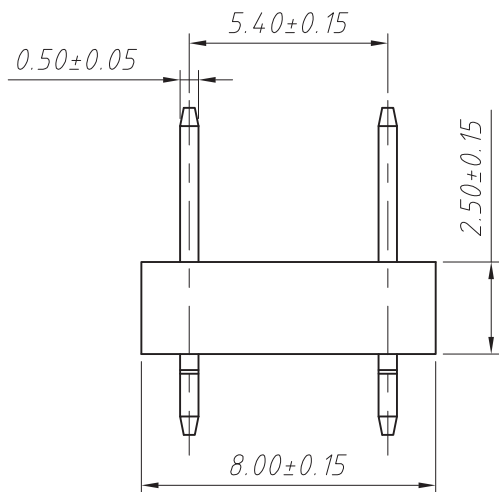
Number of Poles: 3Pin Key 1Pin

Series No.

RoHS

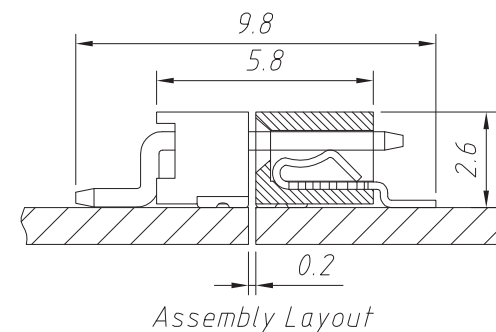
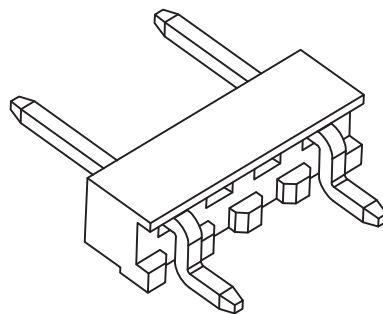
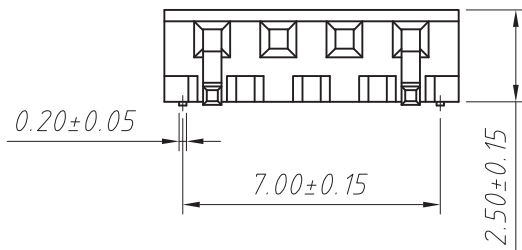
GENERAL TOLERANCE		ANGLE TOLERANCE		PROJECTION	Description:	
X	± 0.15	X	$\pm 5^{\circ}$	UNITS		Board to Board Link, for LED Lighting, Pitch 3.6mm
.X	± 0.03	.X	$\pm 3^{\circ}$	SHEET SIZE	A4	
.XX	± 0.05	.XX	$\pm 2^{\circ}$	KLS P/N:	L-KLS2-L35Y-02K	
Draw by:	Jenny	Date:	2018-03-10	 NingBo KLS ELECTRONIC CO.,L TD.		
Check by:		Date:	2018-03-10			
SCALE		SHEET	1 OF 1			

1 RoHS Compliant



MATERIAL
 Insulator: LCP, UL 94 V-0, Beige
 Contacts: Brass, Tin-plated
 Solder Tab: Phosphor Bronze, Tin-plated

Main Specifications
 Contact Resistance: $\leq 20m\Omega$
 Insulation Resistance: $\geq 800M\Omega$
 Rated Voltage: 125V AC DC
 Rated Current: 1.0A AC DC
 Withstanding Voltage: 800V AC/minute
 Temperature Range: $-25^{\circ}C \sim +105^{\circ}C$



Order Information

L-KLS2- L35A- 02N

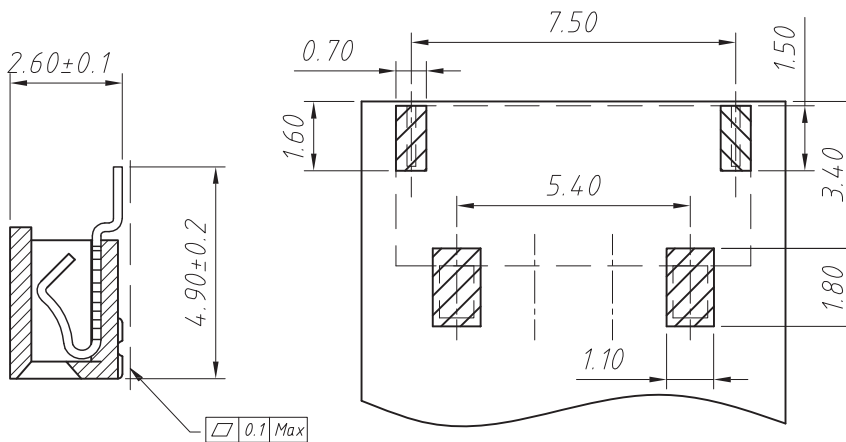
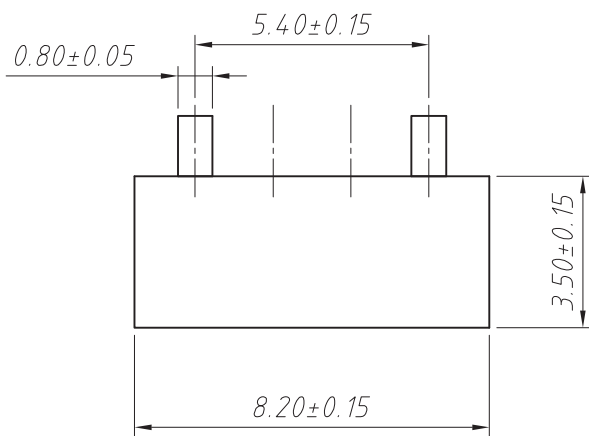
Number of Poles: 4Pin Key 2Pin

Series No.

RoHS

GENERAL TOLERANCE		ANGLE TOLERANCE		PROJECTION	Description: Board to Board Link, for LED Lighting, Pitch 5.4mm L-KLS2-L35A-02N	
X	± 0.15	X	$\pm 5^{\circ}$	UNITS		mm
.X	± 0.03	.X	$\pm 3^{\circ}$	SHEET SIZE		A4
.XX	± 0.05	.XX	$\pm 2^{\circ}$		KLS P/N:	
Draw by:	Jenny	Date:	2018-03-10	 NingBo KLS ELECTRONIC CO.,L TD.		
Check by:		Date:	2018-03-10			
SCALE		SHEET	1 OF 1			

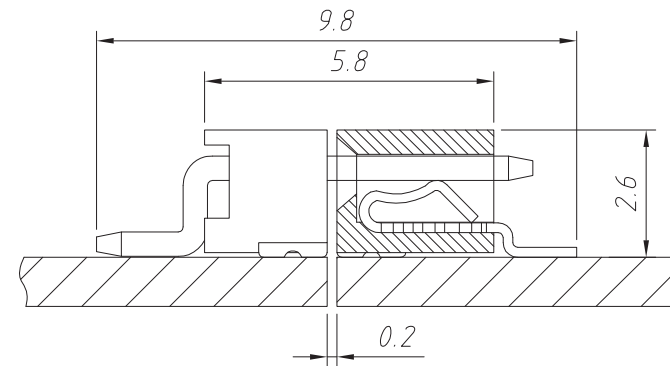
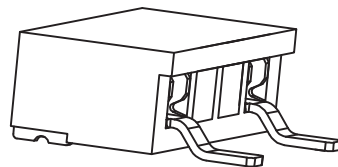
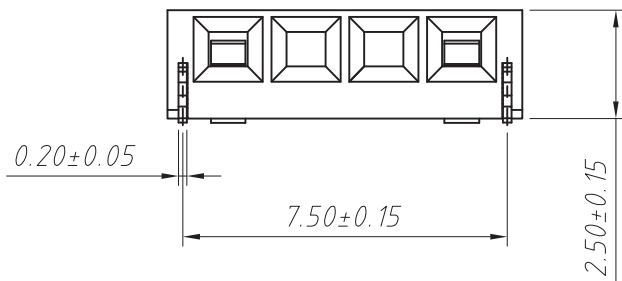
1 RoHS Compliant



Mating Aluminum plate detail

MATERIAL
 Insulator: LCP, UL 94 V-0, Beige
 Contacts: Phosphor Bronze, Tin-plated
 Solder Tab: Phosphor Bronze, Tin-plated

Main Specifications
 Contact Resistance: $\leq 20m\Omega$
 Insulation Resistance: $\geq 800M\Omega$
 Rated Voltage: 125V AC DC
 Rated Current: 1.0A AC DC
 Withstanding Voltage: 800V AC/minute
 Temperature Range: $-25^{\circ}C \sim +105^{\circ}C$



Assembly Layout


Order Information

L-KLS2- L35Y- 02N

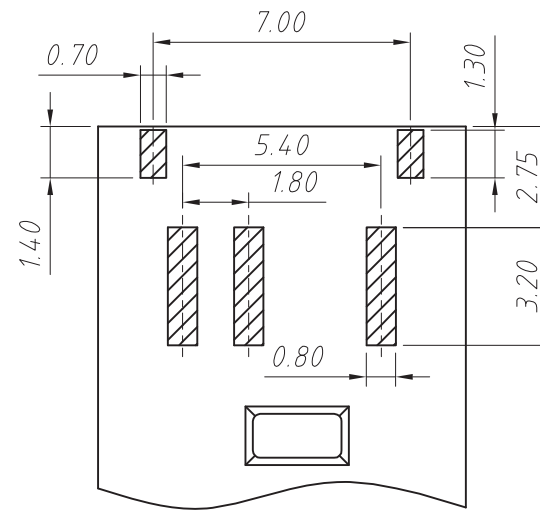
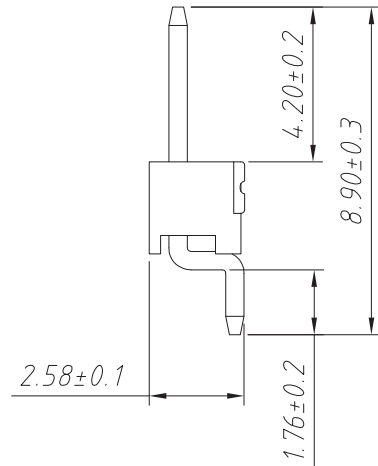
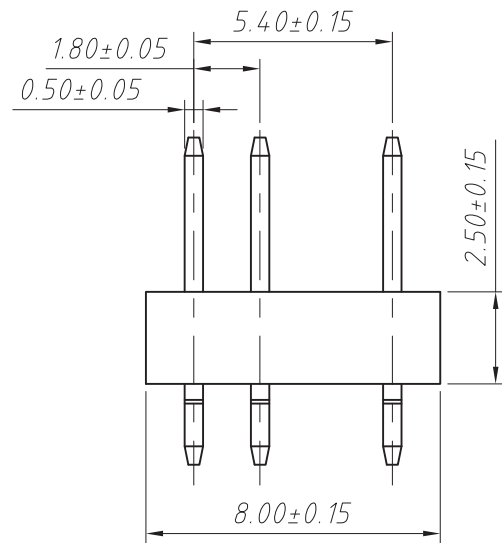
Number of Poles: 4Pin Key 2Pin

Series No.

RoHS

GENERAL TOLERANCE		ANGLE TOLERANCE		PROJECTION	Description:	
X	± 0.15	X	$\pm 5^{\circ}$	UNITS		Board to Board Link, for LED Lighting, Pitch 5.4mm
.X	± 0.03	.X	$\pm 3^{\circ}$	SHEET SIZE	A4	
.XX	± 0.05	.XX	$\pm 2^{\circ}$	KLS P/N:	L-KLS2-L35Y-02N	
Draw by:	Jenny	Date:	2018-03-10	 NingBo KLS ELECTRONIC CO.,L TD.		
Check by:		Date:	2018-03-10			
SCALE		SHEET	1 OF 1			

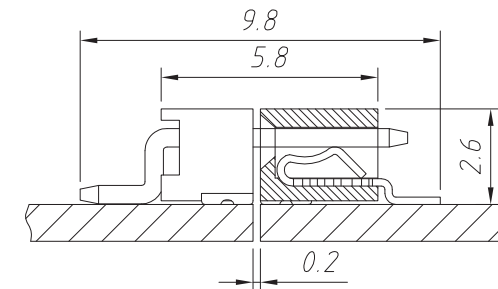
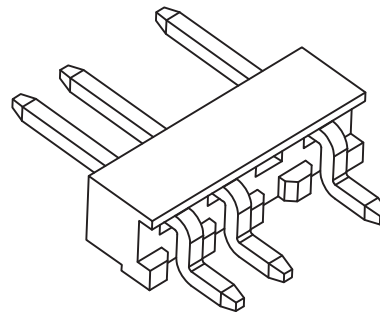
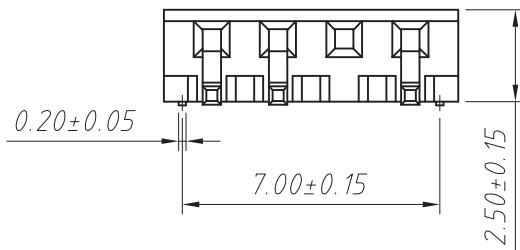
1 RoHS Compliant



Mating Aluminum plate detail

MATERIAL
 Insulator: LCP, UL 94V-0, Beige
 Contacts: Brass, Tin-plated
 Solder Tab: Phosphor Bronze, Tin-plated

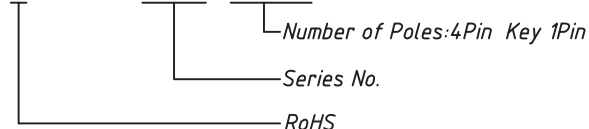
Main Specifications
 Contact Resistance: $\leq 20m\Omega$
 Insulation Resistance: $\geq 800M\Omega$
 Rated Voltage: 125V AC DC
 Rated Current: 1.0A AC DC
 Withstanding Voltage: 800V AC/minute
 Temperature Range: $-25^{\circ}C \sim +105^{\circ}C$



Assembly Layout

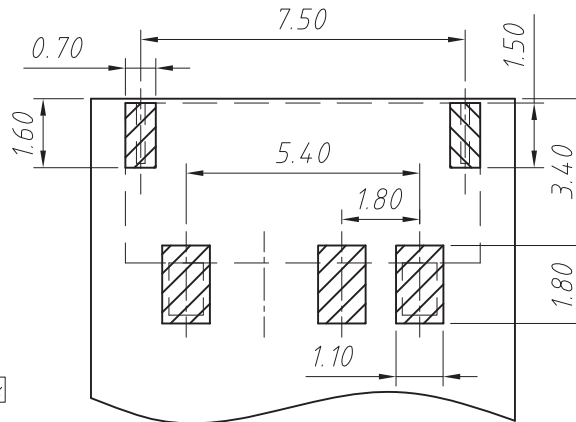
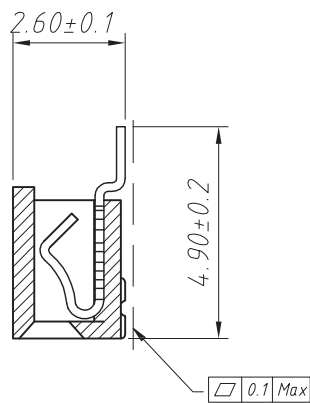
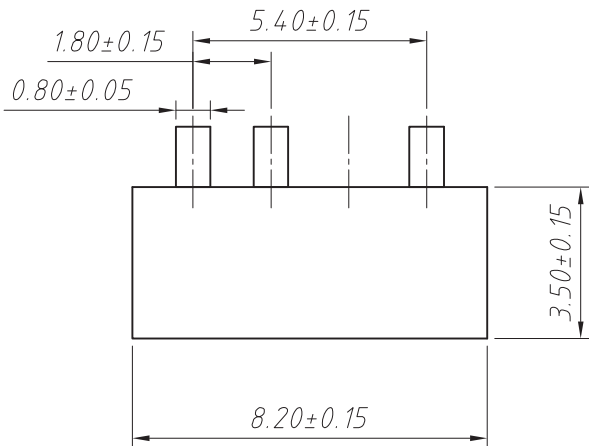
Order Information

L-KLS2- L35A- 03K



GENERAL TOLERANCE		ANGLE TOLERANCE		PROJECTION	Description:
X	± 0.15	X	$\pm 5^{\circ}$	UNITS	Board to Board Link, for LED Lighting, Pitch 1.8+3.6mm L-KLS2-L35A-03K
.X	± 0.03	.X	$\pm 3^{\circ}$	SHEET SIZE	
.XX	± 0.05	.XX	$\pm 2^{\circ}$	KLS P/N:	
Draw by:	Jenny	Date:	2018-03-10	 NingBo KLS ELECTRONIC CO.,L TD.	
Check by:		Date:	2018-03-10		
SCALE		SHEET	1 OF 1		

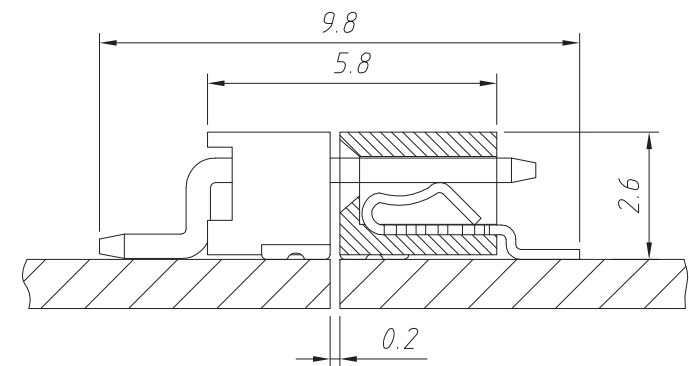
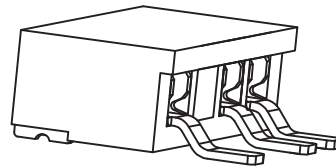
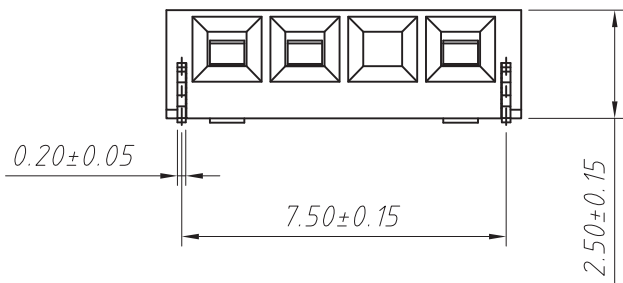
1 RoHS Compliant



Mating Aluminum plate detail

MATERIAL
 Insulator:LCP,UL 94V-0,Beige
 Contacts:Phosphor Bronze,Tin-plated
 Solder Tab:Phosphor Bronze,Tin-plated

Main Specifications
 Contact Resistance: $\leq 20m\Omega$
 Insulation Resistance: $\geq 800M\Omega$
 Rated Voltage:125V AC DC
 Rated Current:1.0A AC DC
 Withstanding Voltage:800V AC/minute
 Temperature Range: $-25^{\circ}C \sim +105^{\circ}C$



Assembly Layout

Order Information

L-KLS2- L35Y- 03K

Number of Poles:4Pin Key 1Pin

Series No.

RoHS

GENERAL TOLERANCE		ANGLE TOLERANCE		PROJECTION		Description:	
X.	± 0.15	X.	$\pm 5^{\circ}$	UNITS		Board to Board Link, for LED Lighting,Pitch 1.8+3.6mm L-KLS2-L35Y-03K	
.X	± 0.03	.X	$\pm 3^{\circ}$	SHEET SIZE	A4		
.XX	± 0.05	.XX	$\pm 2^{\circ}$	KLS P/N:			
Draw by:	Jenny	Date:	2018-03-10			NingBo KLS ELECTRONIC CO.,L TD.	
Check by:		Date:	2018-03-10				
SCALE		SHEET	1 OF 1				