

Material:
Housing: PC
Flammability Rating : UL94V-2
Contacts: Phosphor Bronze T=0.50mm
Plating: TIN Plating

Electrical:
Voltage Rating: 125VAC
Current Rating: 1.5A
Contact Resistance: 30mΩ Max.
Insulation Resistance: 500MΩ Min. at 500V dc
Dielectric Strength: 1000VAC Rms 50Hz, 1 Min.
Durability: 750 cycles Min.
Operation Temperature: -40°C ~ +85°C

Order Information

L-KLS12-CM110-03 -XX

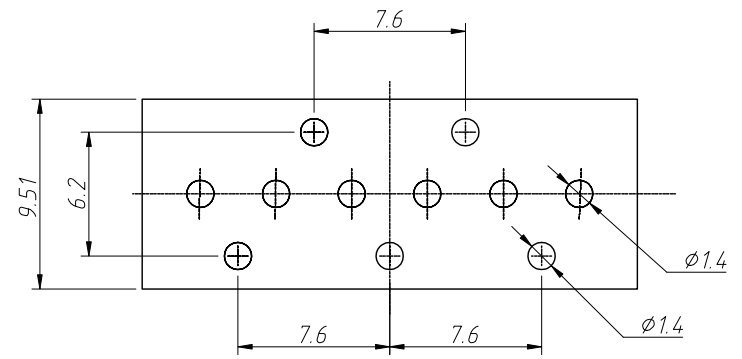
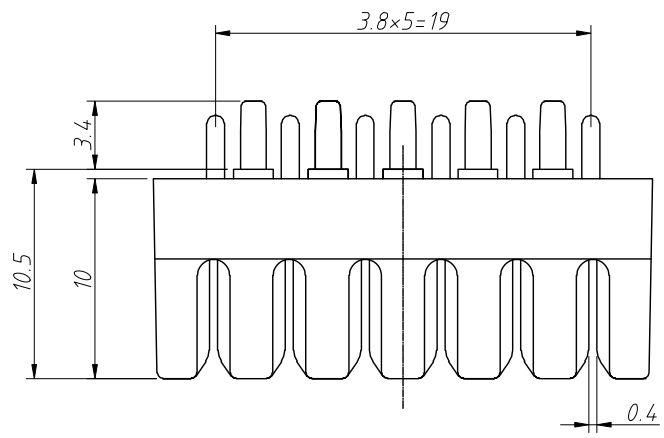
RoHS
Contacts:
04- 2 Pair IDC Connector
08- 4 Pair IDC Connector

PCB LAYOUT
Tol: ±0.05mm

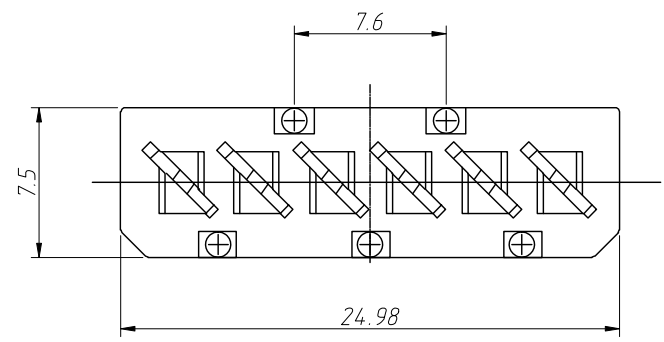
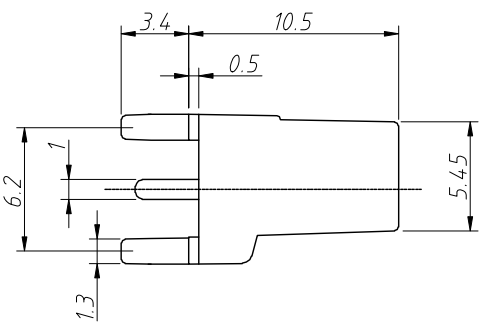
GENERAL TOLERANCE	PROJECTION		Description:
.X ±0.30	UNITS	mm	Krone IDC Block PCB-PLUS
.X ±0.20	SCALE	1:1	
.XX ±0.15	Draw by:	Daniel	
ANGLE TOLERANCE	Check by:	Daniel	KLS P/N: L-KLS12-CM110-03-04
±1°	Date	2020-04-20	NingBo KLS ELECTRONIC CO.,LTD.
	SHEET	1 OF 1	

1
RoHS Compliance

6	7	8
REV	SYM	Revision Record
V0	KLS12039	New Version Release
		Appr. Song
		Date 2024-04-24



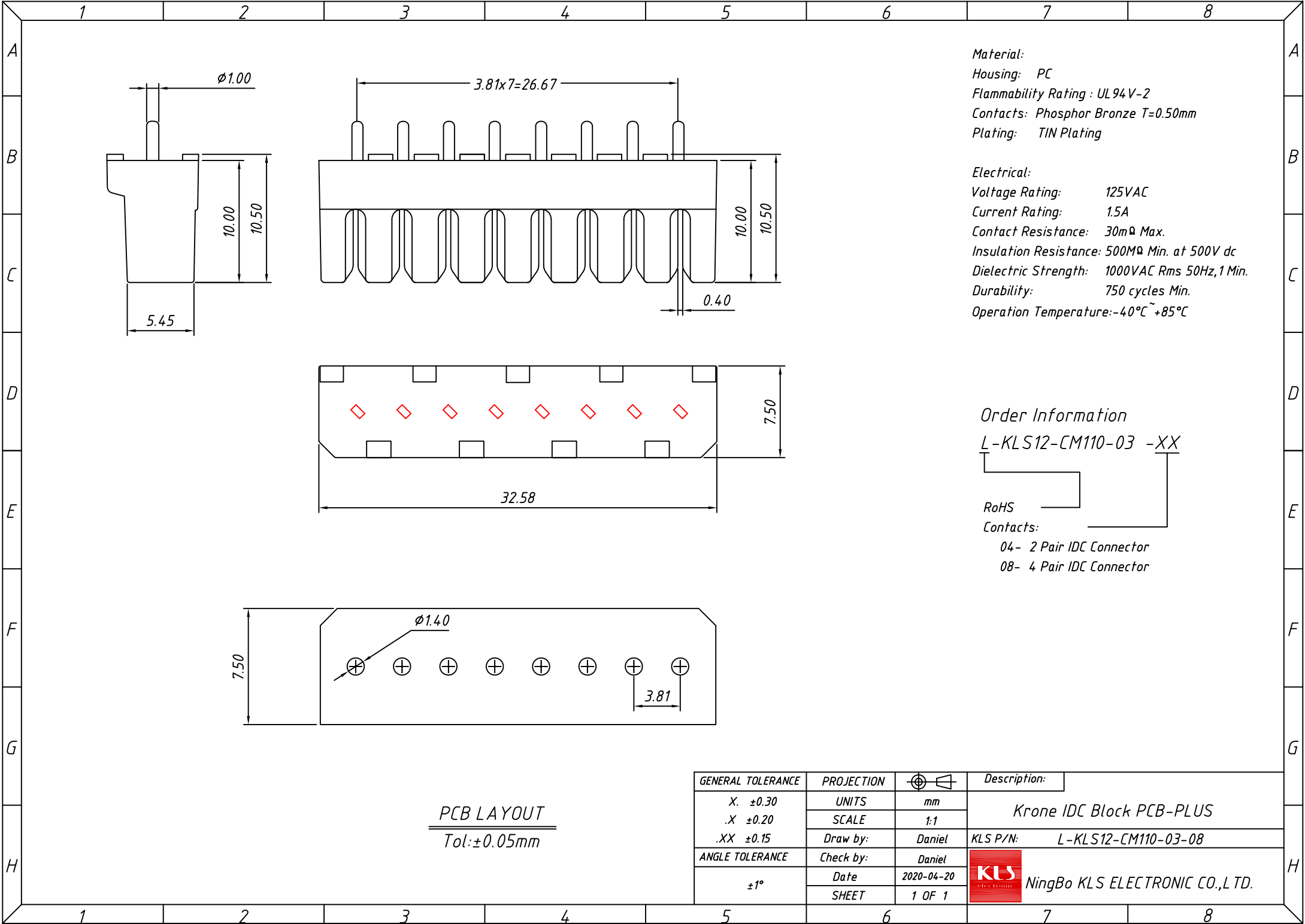
Recommended PCB Layout
Tolerance: ±0.05mm



Notes:
1.Material:
Base:Polycarbonate
Terminal:Phosphor Bronze,T=0.50mm,Tin plating

2.Electric:
Rated Voltage:125V AC RMS
Rated Current:1.5 AMP
Contact Resistance:30mΩ Max
Insulation Resistance:500MΩ Min @ 500V DC
Voltage Withstand:1000V (AC50Hz RMS) for 1 minute
Test life:750 cycles Min
PCB solder joint retention force:1LB Min
Operating temperature:-40°C ~ +85°C
Operating humidity:90-95% (40± 2°C)

ANGLE TOLERANCE	PROJECTION	Description:	Krone 3.8mm IDC Block PCB-PLUG	
±1°				
GENERAL TOLERANCE	UNITS	mm	L-KLS12-CM110-03-06	
x. ±0.3	SHEET SIZE	A4		
.x ±0.2	Draw:	Song	2024-04-24	NingBo KLS ELECTRONIC CO.,L TD.
.xx ±0.15	Check:	Daniel	2024-04-24	



Material:
Housing: PC
Flammability Rating : UL94V-2
Contacts: Phosphor Bronze T=0.50mm
Plating: TIN Plating

Electrical:
Voltage Rating: 125VAC
Current Rating: 1.5A
Contact Resistance: 30mΩ Max.
Insulation Resistance: 500MΩ Min. at 500V dc
Dielectric Strength: 1000VAC Rms 50Hz, 1 Min.
Durability: 750 cycles Min.
Operation Temperature: -40°C ~ +85°C

Order Information
L-KLS12-CM110-03 -XX

RoHS

Contacts:
04- 2 Pair IDC Connector
08- 4 Pair IDC Connector

PCB LAYOUT
Tol: ±0.05mm

GENERAL TOLERANCE	PROJECTION		Description:
.X ±0.30	UNITS	mm	Krone IDC Block PCB-PLUS
.X ±0.20	SCALE	1:1	
.XX ±0.15	Draw by:	Daniel	
ANGLE TOLERANCE	Check by:	Daniel	KLS P/N: L-KLS12-CM110-03-08
±1°	Date	2020-04-20	NingBo KLS ELECTRONIC CO.,LTD.
	SHEET	1 OF 1	