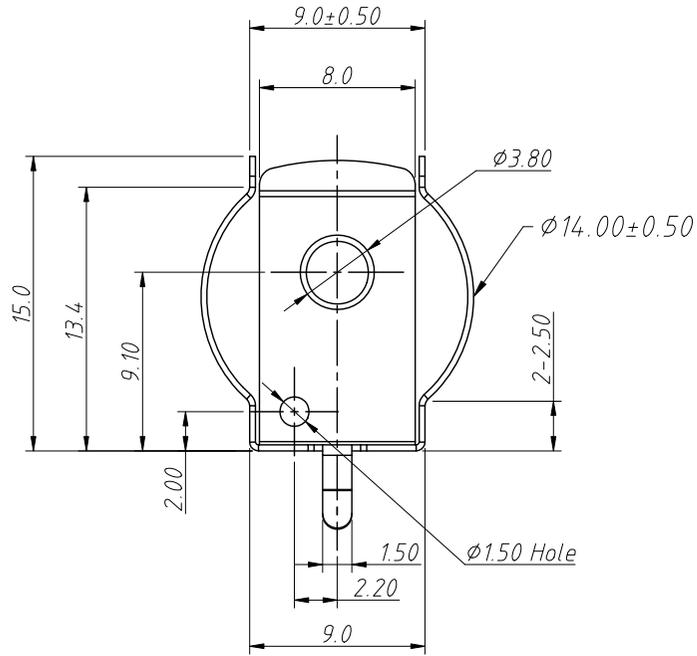


1 RoHS Compliance

7		8		
REV	SYM	Revision Record	Appr.	Date
V0	KLS05087	New Version Release	Song	2024-04-25



Notes:

1. Material: 0.30mm Spring Steel, Nickel Plated

2. Electric:

Current Rating: 3A (AC/DC)

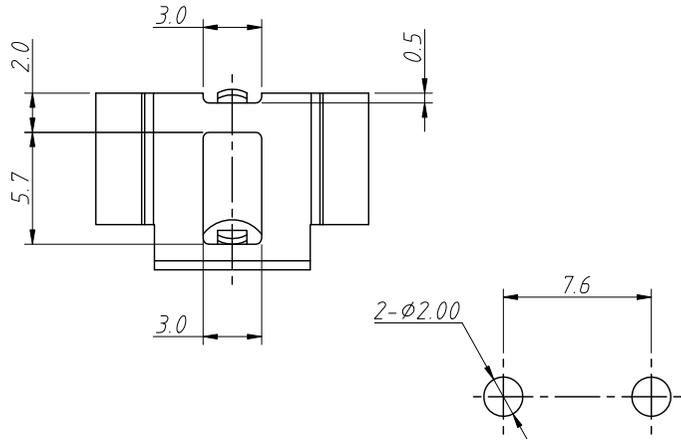
Dielectric Voltage: 500V AC One Sec Level

Contact Resistance: 30 Milliohms Max

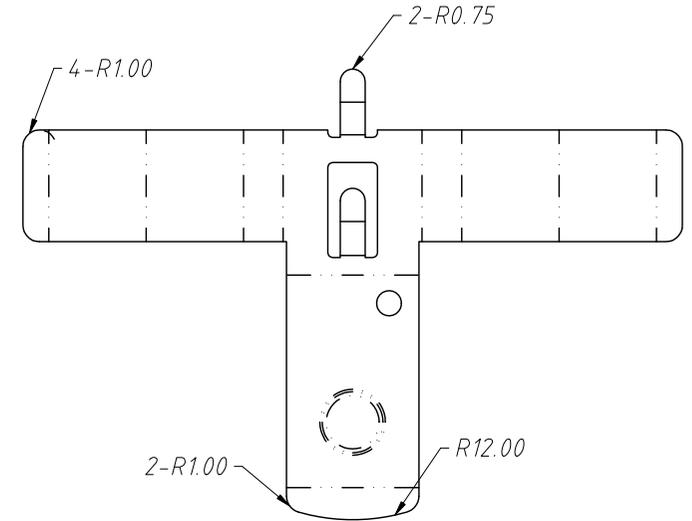
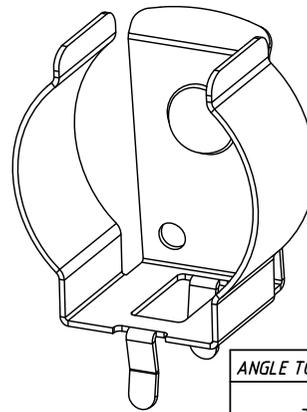
Insulation Resistance: 100 Milliohms Min

Operating Temperature: -40°C +105°C

Humidity: 40°C And 90-95% RH For 48 Hours



PCB Mounting Layout



UNBEND VIEW

ANGLE TOLERANCE	PROJECTION	Description:		
±3°		Battery Clip		
GENERAL TOLERANCE	UNITS	mm	KLS P/N:	
.x ±0.25	SHEET SIZE	A4	L-KLS5-2915-B	
.xx ±0.20	Draw:	Song	2024-04-25	
.xxx ±0.10	Check:	Daniel	2024-04-25	

NingBo KLS ELECTRONIC CO.,LTD.