

### BN604 P/N

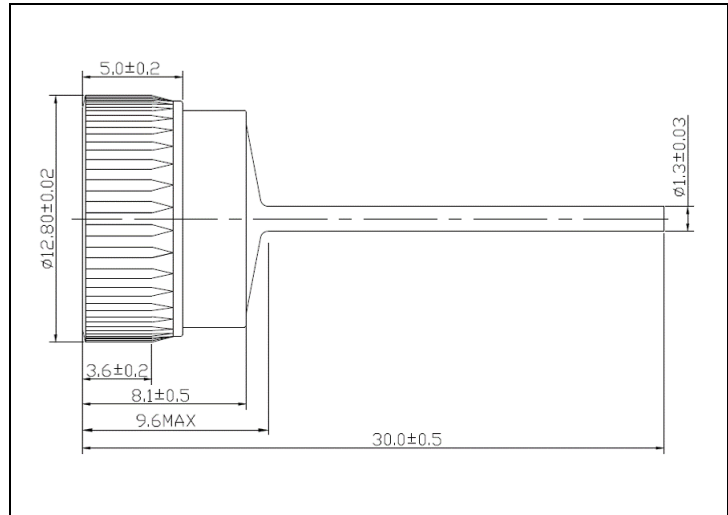
Pressfit Diode for Automotive Application  
60A High Voltage Diode

#### Features

- ▣ High Power Capability
- ▣ High Temperature Application
- ▣ Low Leakage
- ▣ Open Junction Technic

#### Polarity

BN604P - Cathode Toward to Case  
BN604N - Anode Toward to Case



#### Maximum Ratings (Ta=25°C)

CHARACTERISTIC	SYMBOL	RATING	UNIT
Average Forward Current	$I_{F(AV)}$	60	A
Non-repeative Forward Peak Surge Current (Half Sine Wave,50Hz,1 Cycle)	$I_{FSM}$	720	A
Maximum Repeative Peak Reverse Voltage	$V_{RRM}$	300	V
Junction Temperature	$T_j$	-40~215	°C
Thermal Resistance Junction to Case	$R_{\theta JC}$	0.5	°C/W

#### Electrical Characteristics (Ta=25°C)

CHARACTERISTIC	SYMBOL	TEST CONDITION	VALUE	UNIT
Maximum Forward Voltage	$V_{FM}$	$I_{FM}=100A, PW=0.3mS$	1.05	V
Maximum Reverse Current	$I_{RRM1}$	$V_{RRM}=300V$	1	uA
Maximum Reverse Current Under High Temperature	$I_{RRM2}$	$T_a=150^{\circ}C, V_{RRM}=300V$	300	uA
Minimum Breakdown Voltage	$V_{BR}$	$I_B=10uA, T=10mS$	350	V



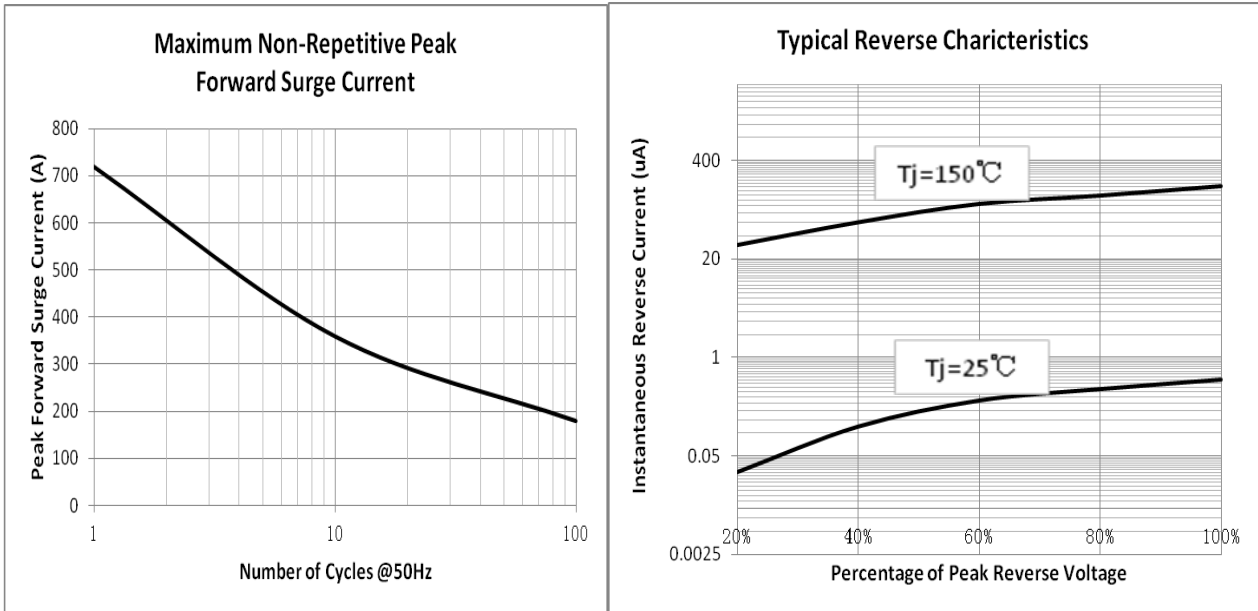
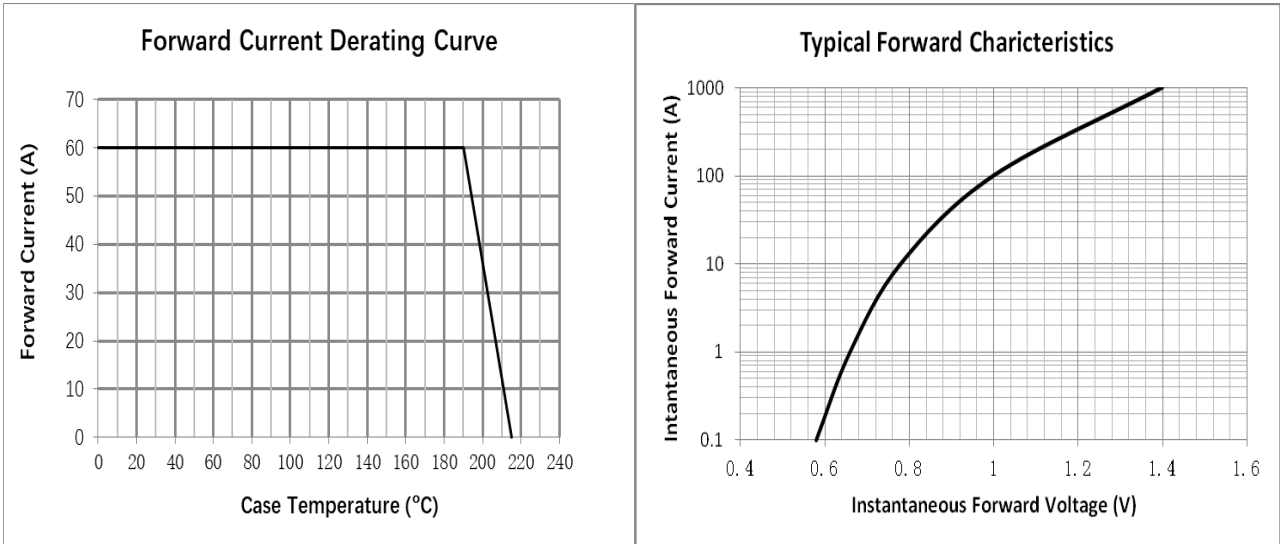
# NINGBO KLS ELECTRONIC CO; LTD

## TECHNICAL DATA SHEET

WWW.KLSELE.COM

<b>BN604 P/N</b>	Pressfit Diode for Automotive Application 60A High Voltage Diode
------------------	---

### Rating And Characteristic Curves



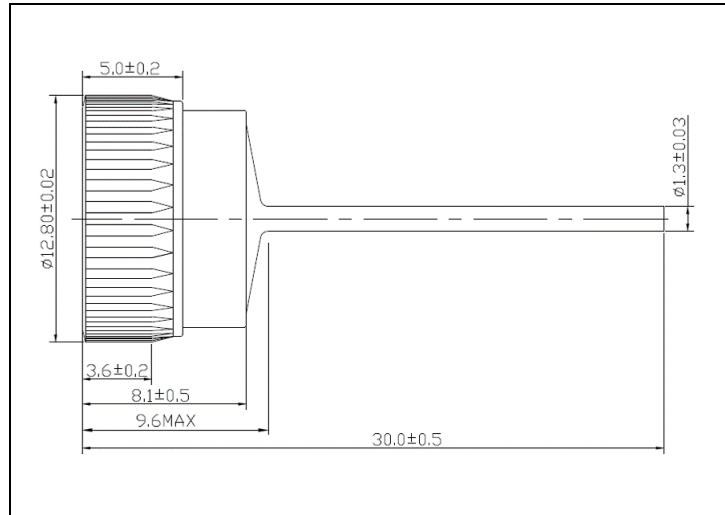
<h3>BN60H P/N</h3>	Pressfit Diode for Automotive Application 60A TVS 34-40V Diode
--------------------	---

### Features

- ▣ High Power Capability
- ▣ High Temperature Application
- ▣ Low Leakage
- ▣ Open Junction Technic

### Polarity

BN60HP - Cathode Toward to Case  
BN60HN - Anode Toward to Case



### Maximum Ratings (Ta=25°C)

CHARACTERISTIC	SYMBOL	RATING	UNIT
Average Forward Current	$I_{F(AV)}$	60	A
Non-Repetive Forward Peak Surge Current (Half Sine Wave, 50Hz, 1 Cycle)	$I_{FSM}$	720	A
Maximum Repeative Peak Reverse Voltage	$V_{RRM}$	32	V
Junction Temperature	$T_j$	-40~215	°C
Thermal Resistance Junction to Case	$R_{\theta JC}$	0.5	°C/W

### Electrical Characteristics (Ta=25°C)

CHARACTERISTIC	SYMBOL	TEST CONDITION	VALUE	UNIT
Maximum Forward Voltage	$V_{FM}$	$I_{FM}=100A, PW=0.3mS$	1.05	V
Maximum Reverse Current	$I_{RRM1}$	$V_{RRM}=32V$	0.2	uA
Maximum Reverse Current Under High Temperature	$I_{RRM2}$	$T_a=150^{\circ}C, V_{RRM}=32V$	100	uA
Reverse Breakdown Voltage	$V_{BR}$	$I_B=10mA, T=10mS$	34~40	V



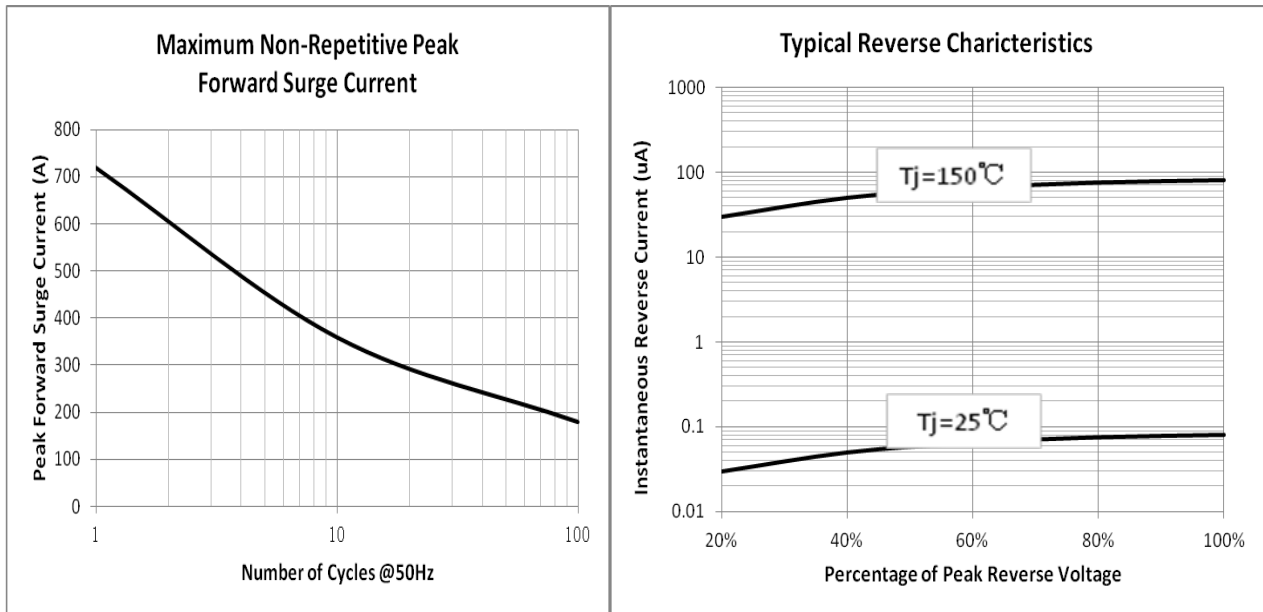
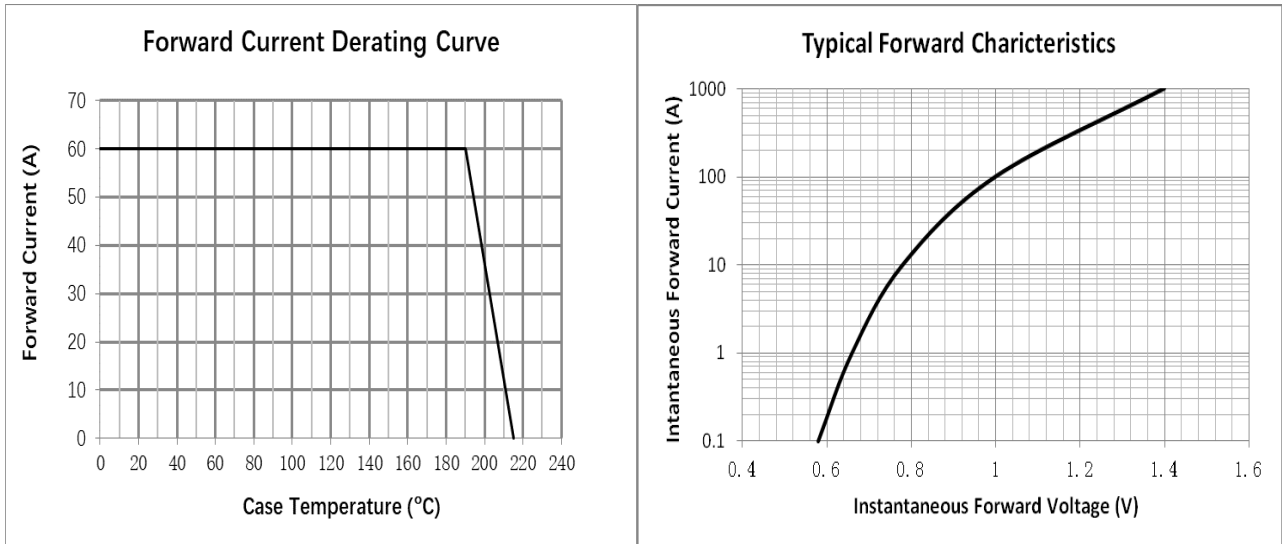
# NINGBO KLS ELECTRONIC CO; LTD

## TECHNICAL DATA SHEET

WWW.KLSELE.COM

<b>BN60H P/N</b>	Pressfit Diode for Automotive Application 60A TVS 34-40V Diode
------------------	---

### Rating And Characteristic Curves



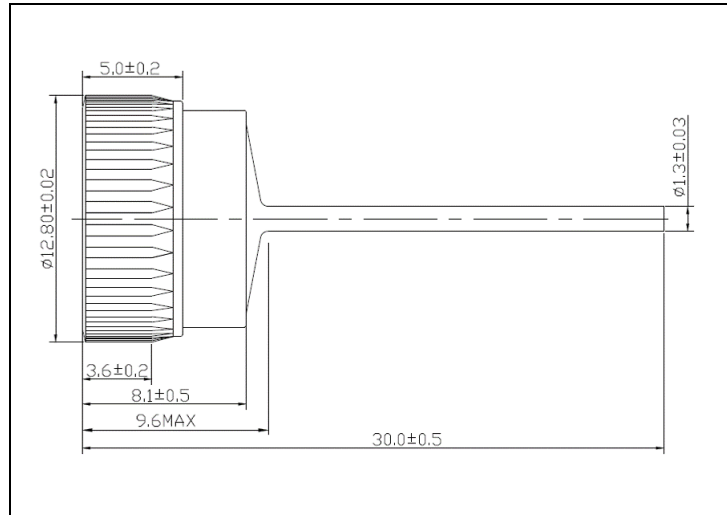
<h3>BN60L P/N</h3>	Pressfit Diode for Automotive Application 60A TVS 20-24V Diode
--------------------	---

### Features

- ▣ High Power Capability
- ▣ High Temperature Application
- ▣ Low Leakage
- ▣ Open Junction Technic

### Polarity

BN60LP - Cathode Toward to Case  
BN60LN - Anode Toward to Case



### Maximum Ratings (Ta=25°C)

CHARACTERISTIC	SYMBOL	RATING	UNIT
Average Forward Current	$I_{F(AV)}$	60	A
Non-Repetive Forward Peak Surge Current (Half Sine Wave, 50Hz, 1 Cycle)	$I_{FSM}$	720	A
Maximum Repeative Peak Reverse Voltage	$V_{RRM}$	16	V
Junction Temperature	$T_j$	-40~215	°C
Thermal Resistance Junction to Case	$R_{\theta JC}$	0.5	°C/W

### Electrical Characteristics (Ta=25°C)

CHARACTERISTIC	SYMBOL	TEST CONDITION	VALUE	UNIT
Maximum Forward Voltage	$V_{FM}$	$I_{FM}=100A, PW=0.3mS$	1.05	V
Maximum Reverse Current	$I_{RRM1}$	$V_{RRM}=16V$	0.2	uA
Maximum Reverse Current Under High Temperature	$I_{RRM2}$	$T_a=150^{\circ}C, V_{RRM}=16V$	100	uA
Reverse Breakdown Voltage	$V_{BR}$	$I_B=10mA, T=10mS$	20~24	V



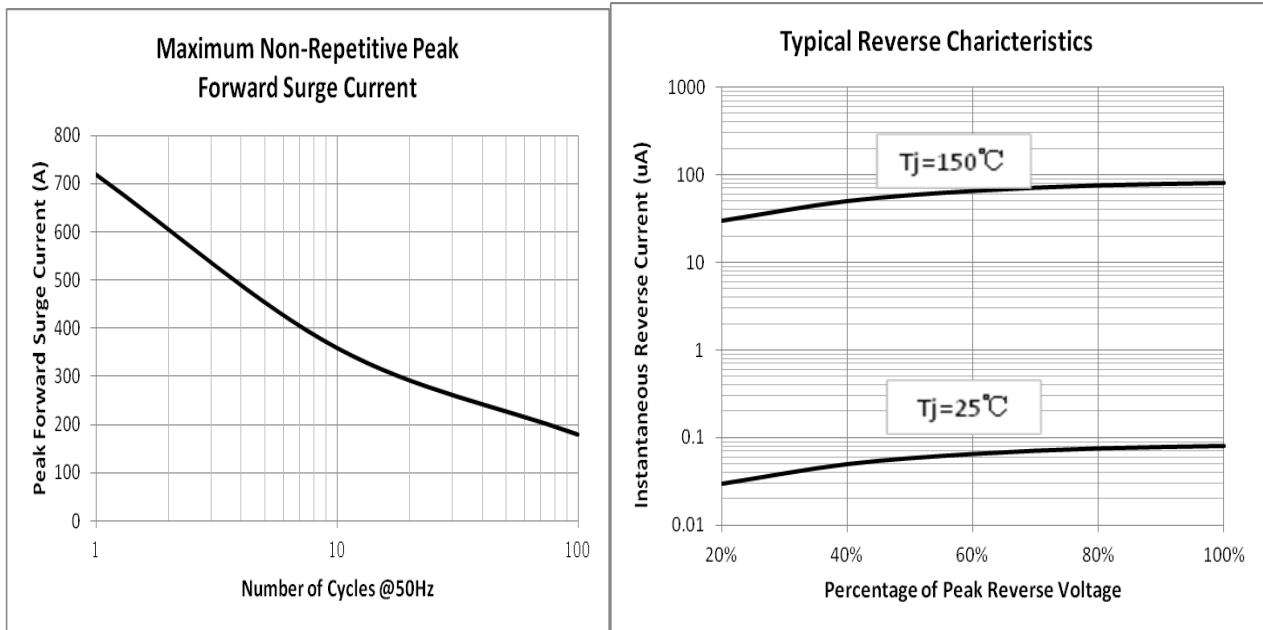
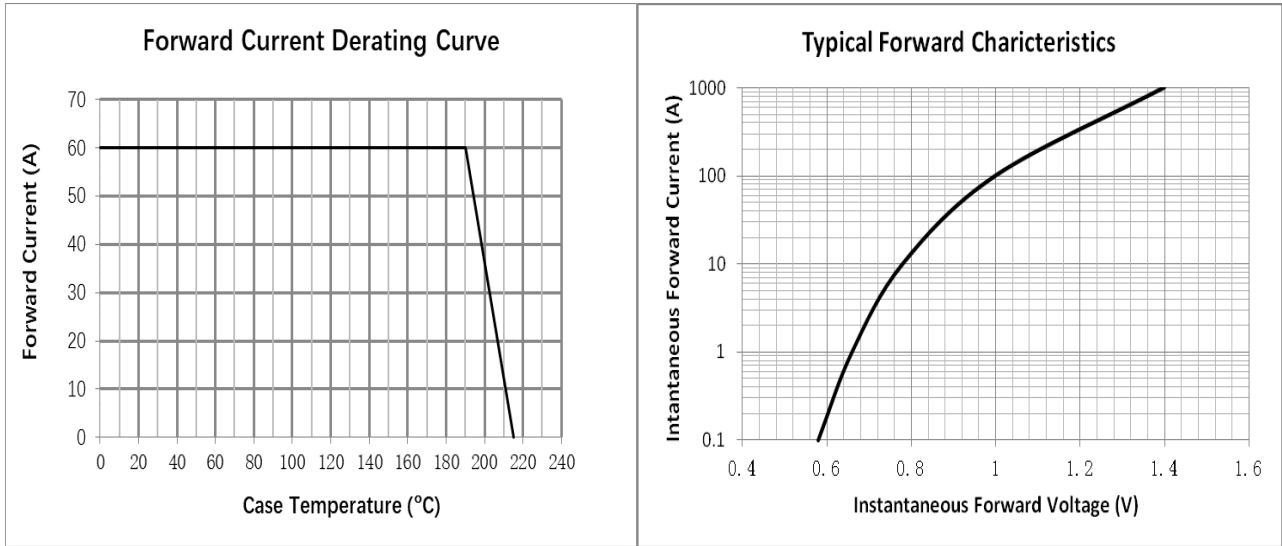
# NINGBO KLS ELECTRONIC CO; LTD

## TECHNICAL DATA SHEET

WWW.KLSELE.COM

<b>BN60L P/N</b>	Pressfit Diode for Automotive Application 60A TVS 20-24V Diode
------------------	---

### Rating And Characteristic Curves



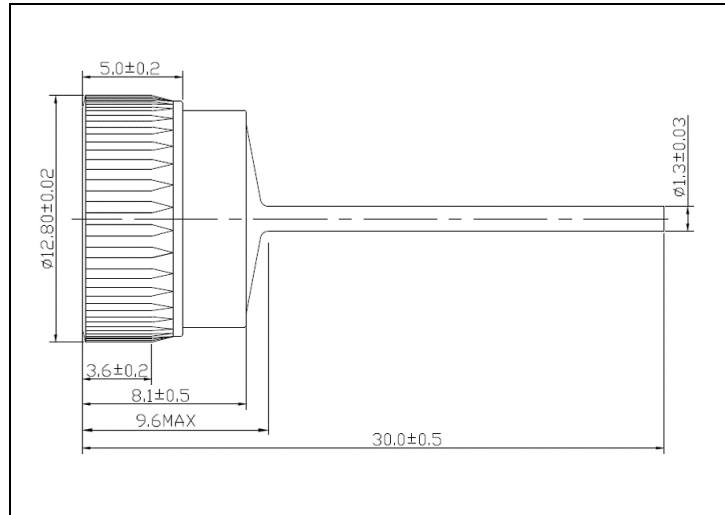
<h3>BN60M P/N</h3>	Pressfit Diode for Automotive Application 60A TVS 24-29V Diode
--------------------	---

### Features

- High Power Capability
- High Temperature Application
- Low Leakage
- Open Junction Technic

### Polarity

BN60MP - Cathode Toward to Case  
BN60MN - Anode Toward to Case



### Maximum Ratings (Ta=25°C)

CHARACTERISTIC	SYMBOL	RATING	UNIT
Average Forward Current	$I_{F(AV)}$	60	A
Non-Repetive Forward Peak Surge Current (Half Sine Wave, 50Hz, 1 Cycle)	$I_{FSM}$	720	A
Maximum Repeative Peak Reverse Voltage	$V_{RRM}$	20	V
Junction Temperature	$T_j$	-40~215	°C
Thermal Resistance Junction to Case	$R_{\theta JC}$	0.5	°C/W

### Electrical Characteristics (Ta=25°C)

CHARACTERISTIC	SYMBOL	TEST CONDITION	VALUE	UNIT
Maximum Forward Voltage	$V_{FM}$	$I_{FM}=100A, PW=0.3mS$	1.05	V
Maximum Reverse Current	$I_{RRM1}$	$V_{RRM}=20V$	0.2	uA
Maximum Reverse Current Under High Temperature	$I_{RRM2}$	$T_a=150^{\circ}C, V_{RRM}=20V$	100	uA
Reverse Breakdown Voltage	$V_{BR}$	$I_B=100mA, T=10mS$	24~29	V



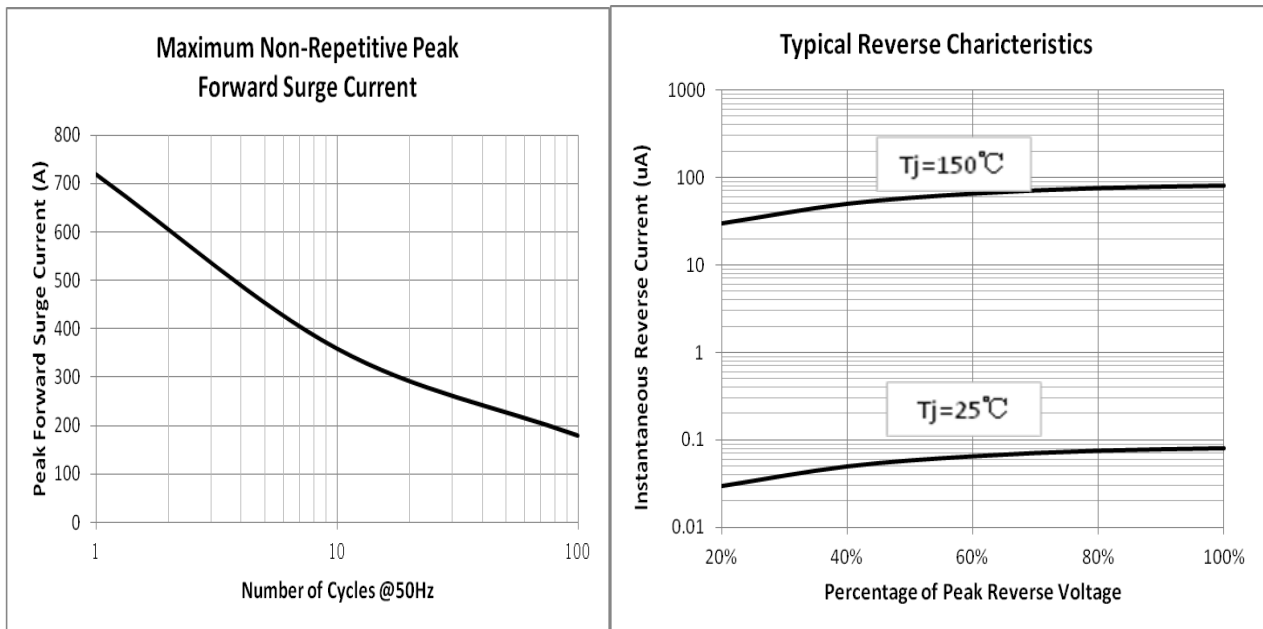
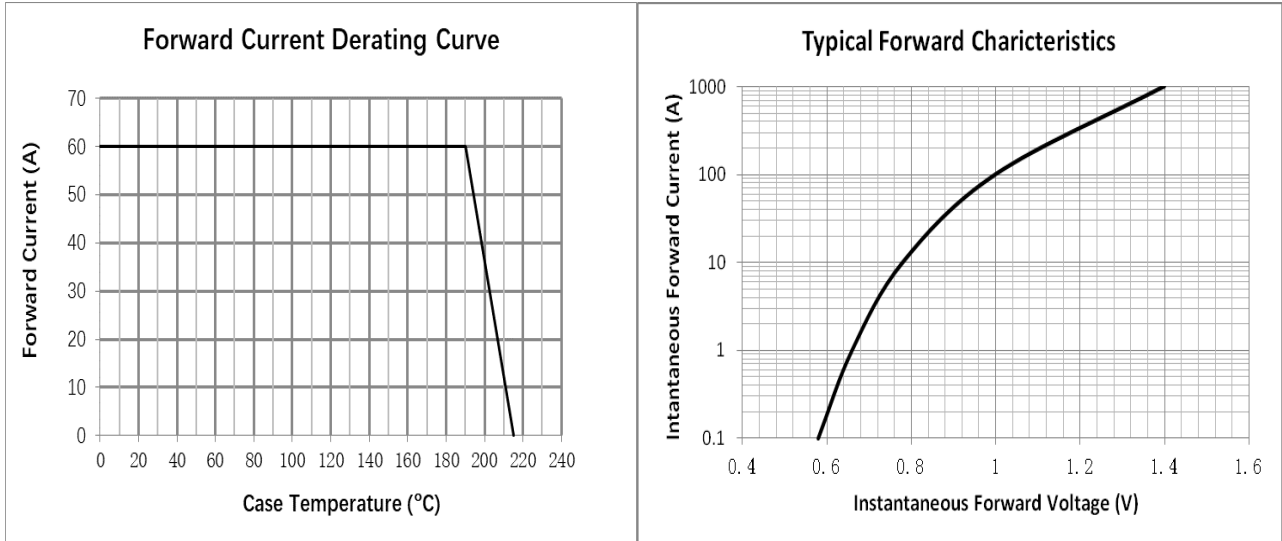
# NINGBO KLS ELECTRONIC CO; LTD

## TECHNICAL DATA SHEET

WWW.KLSELE.COM

<b>BN60M P/N</b>	Pressfit Diode for Automotive Application 60A TVS 24-29V Diode
------------------	---

### Rating And Characteristic Curves





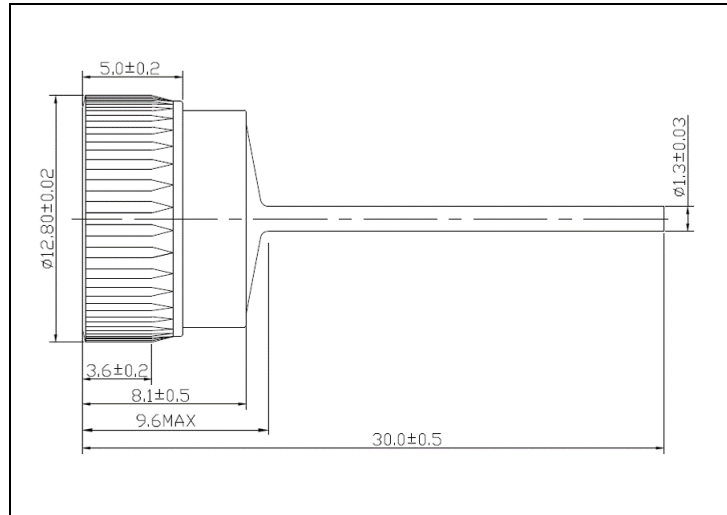
<h3>BN60U P/N</h3>	Pressfit Diode for Automotive Application 60A TVS 38-43V Diode
--------------------	---

### Features

- High Power Capability
- High Temperature Application
- Low Leakage
- Open Junction Technic

### Polarity

BN60HP - Cathode Toward to Case  
BN60HN - Anode Toward to Case



### Maximum Ratings (Ta=25°C)

CHARACTERISTIC	SYMBOL	RATING	UNIT
Average Forward Current	$I_{F(AV)}$	60	A
Non-Repetive Forward Peak Surge Current (Half Sine Wave, 50Hz, 1 Cycle)	$I_{FSM}$	720	A
Maximum Repeative Peak Reverse Voltage	$V_{RRM}$	32	V
Junction Temperature	$T_j$	-40~215	°C
Thermal Resistance Junction to Case	$R_{\theta JC}$	0.5	°C/W

### Electrical Characteristics (Ta=25°C)

CHARACTERISTIC	SYMBOL	TEST CONDITION	VALUE	UNIT
Maximum Forward Voltage	$V_{FM}$	$I_{FM}=100A, PW=0.3mS$	1.05	V
Maximum Reverse Current	$I_{RRM1}$	$V_{RRM}=32V$	0.2	uA
Maximum Reverse Current Under High Temperature	$I_{RRM2}$	$T_a=150^{\circ}C, V_{RRM}=32V$	100	uA
Reverse Breakdown Voltage	$V_{BR}$	$I_B=100mA, T=10mS$	38~43	V



# NINGBO KLS ELECTRONIC CO; LTD

## TECHNICAL DATA SHEET

WWW.KLSELE.COM

### BN60U P/N

Pressfit Diode for Automotive Application  
60A TVS 38-43V Diode

### Rating And Characteristic Curves

