

BN504 P/N

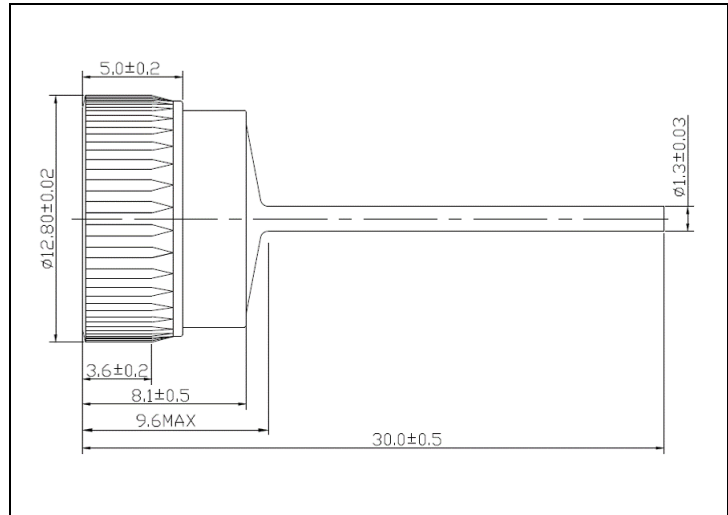
Pressfit Diode for Automotive Application
50A High Voltage Diode

Features

- High Power Capability
- High Temperature Application
- Low Leakage
- Open Junction Technic

Polarity

BN504P - Cathode Toward to Case
BN504N - Anode Toward to Case



Maximum Ratings (Ta=25°C)

CHARACTERISTIC	SYMBOL	RATING	UNIT
Average Forward Current	$I_{F(AV)}$	50	A
Non-repeative Forward Peak Surge Current (Half Sine Wave,50Hz,1 Cycle)	I_{FSM}	600	A
Maximum Repeative Peak Reverse Voltage	V_{RRM}	300	V
Junction Temperature	T_j	-40~215	°C
Thermal Resistance Junction to Case	$R_{\theta JC}$	0.6	°C/W

Electrical Characteristics (Ta=25°C)

CHARACTERISTIC	SYMBOL	TEST CONDITION	VALUE	UNIT
Maximum Forward Voltage	V_{FM}	$I_{FM}=100A, PW=0.3mS$	1.08	V
Maximum Reverse Current	I_{RRM1}	$V_{RRM}=300V$	1	uA
Maximum Reverse Current Under High Temperature	I_{RRM2}	$T_a=150^{\circ}C, V_{RRM}=300V$	300	uA
Minimum Breakdown Voltage	V_{BR}	$I_B=10uA, T=10mS$	350	V



NINGBO KLS ELECTRONIC CO; LTD

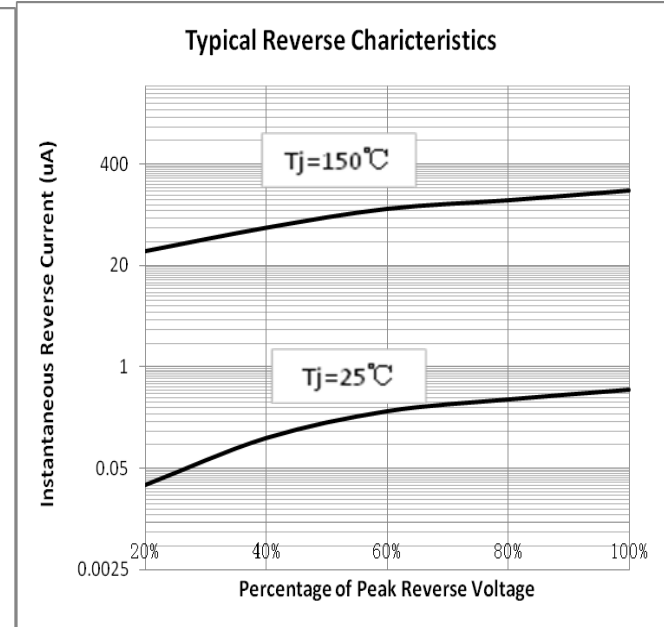
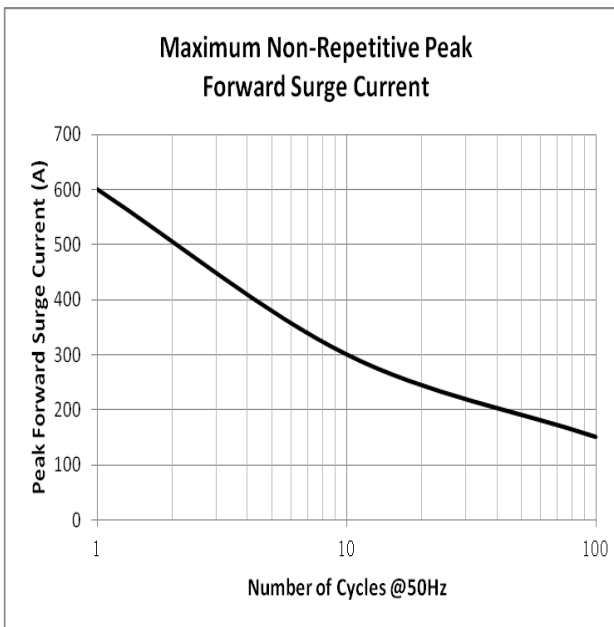
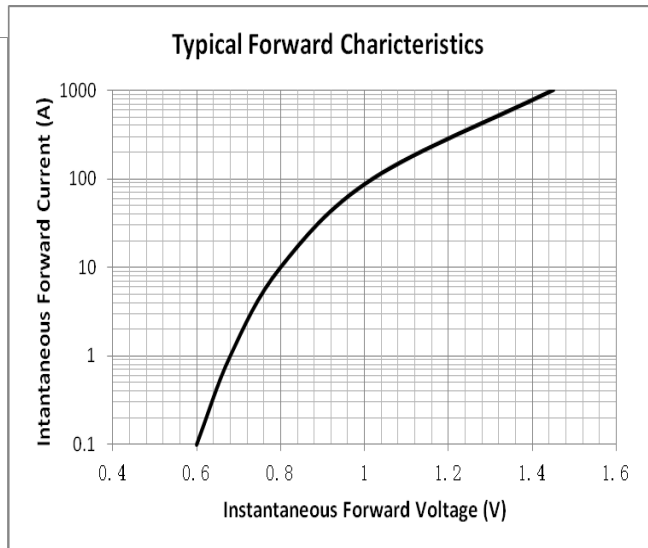
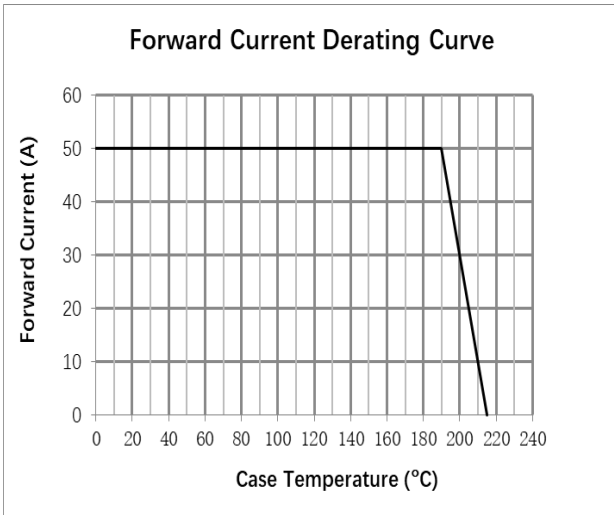
TECHNICAL DATA SHEET

WWW.KLSELE.COM

BN504 P/N

Pressfit Diode for Automotive Application
50A High Voltage Diode

Rating And Characteristic Curves



BN50H P/N

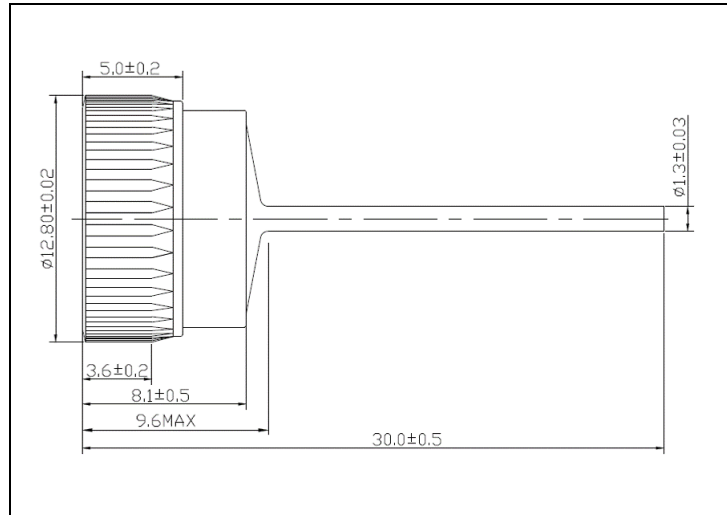
Pressfit Diode for Automotive Application
50A TVS 34-40V Diode

Features

- ▣ High Power Capability
- ▣ High Temperature Application
- ▣ Low Leakage
- ▣ Open Junction Technic

Polarity

BN50HP - Cathode Toward to Case
BN50HN - Anode Toward to Case



Maximum Ratings (Ta=25°C)

CHARACTERISTIC	SYMBOL	RATING	UNIT
Average Forward Current	$I_{F(AV)}$	50	A
Non-Repetive Forward Peak Surge Current (Half Sine Wave, 50Hz, 1 Cycle)	I_{FSM}	600	A
Maximum Repeative Peak Reverse Voltage	V_{RRM}	32	V
Junction Temperature	T_j	-40~215	°C
Thermal Resistance Junction to Case	$R_{\theta JC}$	0.6	°C/W

Electrical Characteristics (Ta=25°C)

CHARACTERISTIC	SYMBOL	TEST CONDITION	VALUE	UNIT
Maximum Forward Voltage	V_{FM}	$I_{FM}=100A, PW=10mS$	1.08	V
Maximum Reverse Current	I_{RRM1}	$V_{RRM}=32V$	0.2	uA
Maximum Reverse Current Under High Temperature	I_{RRM2}	$T_a=150^{\circ}C, V_{RRM}=32V$	100	uA
Reverse Breakdown Voltage	V_{BR}	$I_B=10mA, T=10mS$	34~40	V



NINGBO KLS ELECTRONIC CO; LTD

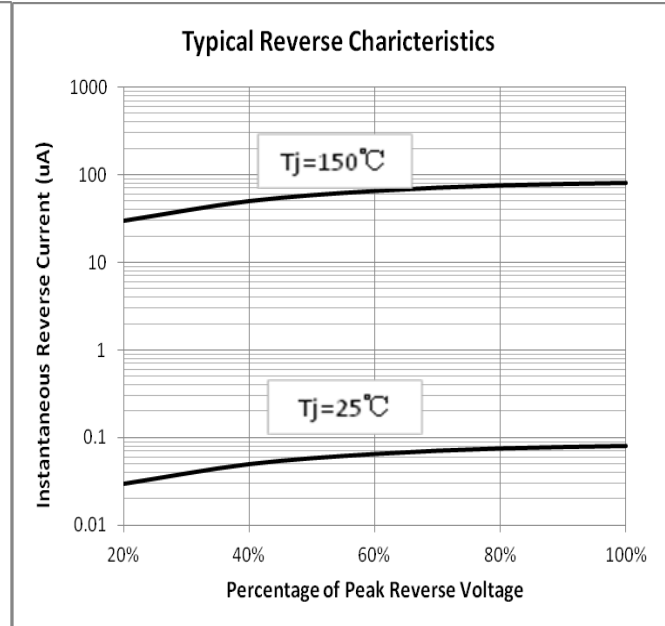
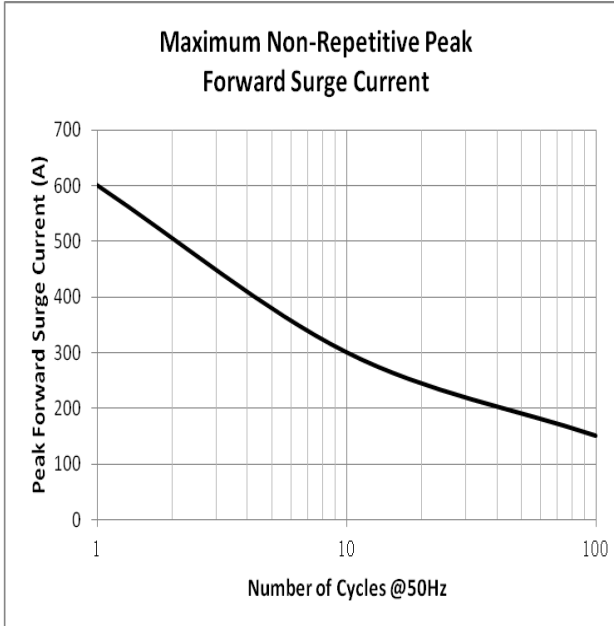
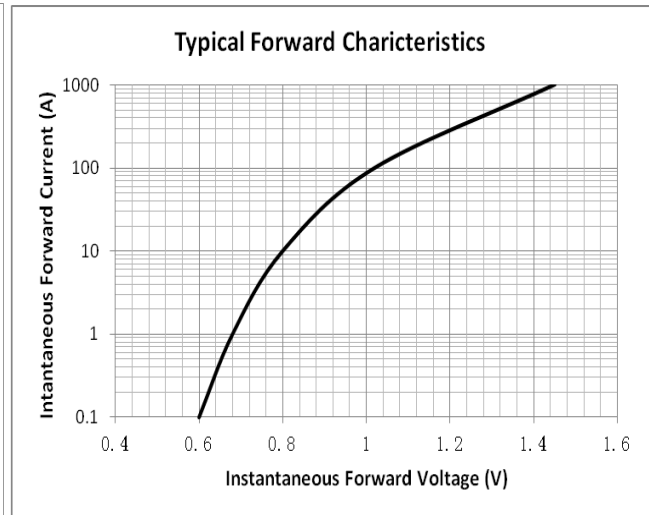
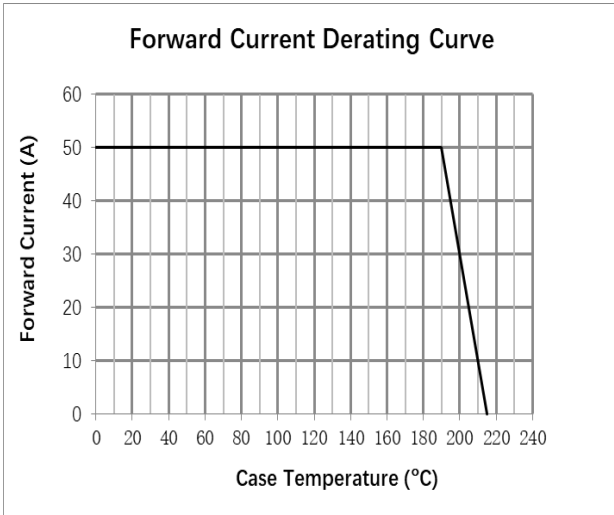
TECHNICAL DATA SHEET

WWW.KLSELE.COM

BN50H P/N

Pressfit Diode for Automotive Application
50A TVS 34-40V Diode

Rating And Characteristic Curves



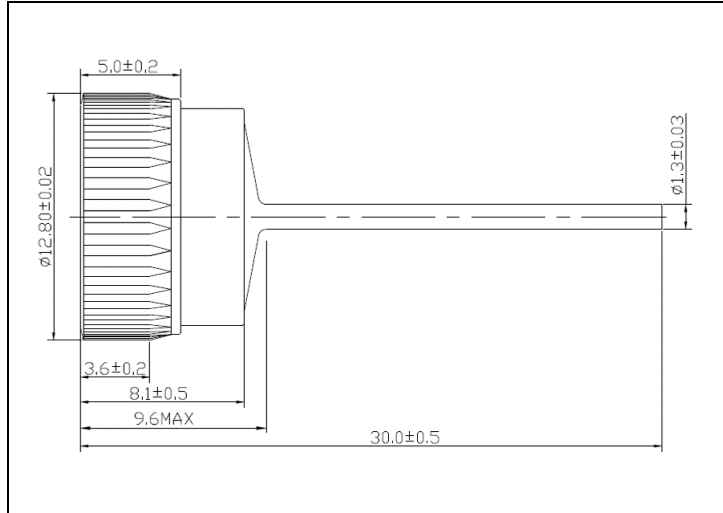
<h3>BN50L P/N</h3>	Pressfit Diode for Automotive Application 50A TVS 20-24V Diode
--------------------	-------------------------------------------------------------------

Features

- High Power Capability
- High Temperature Application
- Low Leakage
- Open Junction Technic

Polarity

BN50LP - Cathode Toward to Case
BN50LN - Anode Toward to Case



Maximum Ratings (Ta=25°C)

CHARACTERISTIC	SYMBOL	RATING	UNIT
Average Forward Current	$I_{F(AV)}$	50	A
Non-Repetive Forward Peak Surge Current (Half Sine Wave, 50Hz, 1 Cycle)	I_{FSM}	600	A
Maximum Repeative Peak Reverse Voltage	V_{RRM}	16	V
Junction Temperature	T_j	-40~215	°C
Thermal Resistance Junction to Case	$R_{\theta JC}$	0.6	°C/W

Electrical Characteristics (Ta=25°C)

CHARACTERISTIC	SYMBOL	TEST CONDITION	VALUE	UNIT
Maximum Forward Voltage	V_{FM}	$I_{FM}=100A, PW=0.3mS$	1.08	V
Maximum Reverse Current	I_{RRM1}	$V_{RRM}=16V$	0.2	uA
Maximum Reverse Current Under High Temperature	I_{RRM2}	$T_a=150^{\circ}C, V_{RRM}=16V$	100	uA
Reverse Breakdown Voltage	V_{BR}	$I_B=10mA, T=10mS$	20~24	V



NINGBO KLS ELECTRONIC CO; LTD

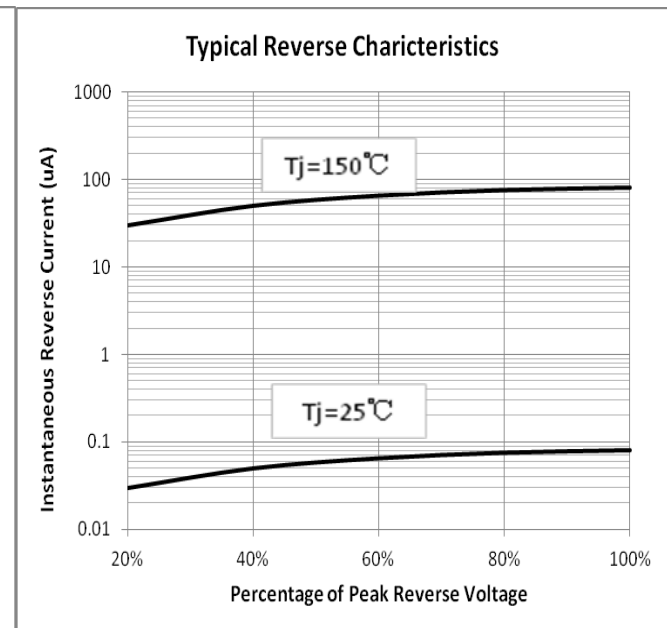
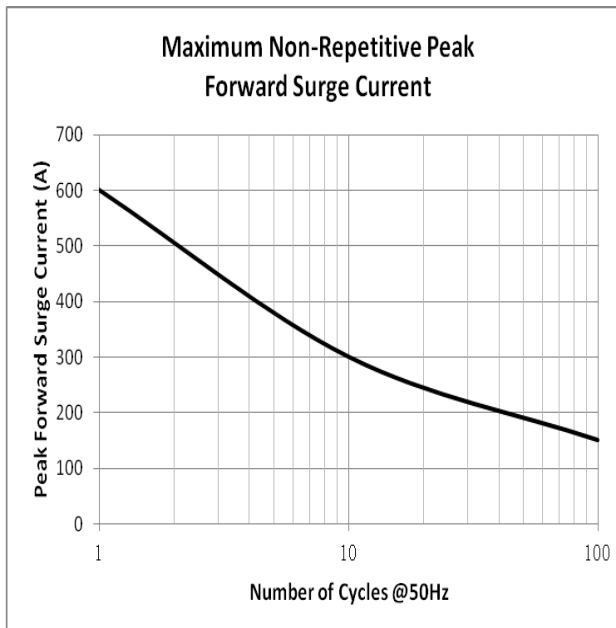
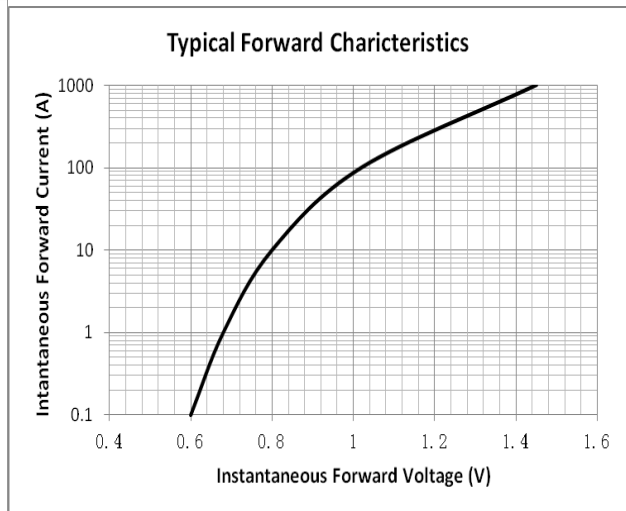
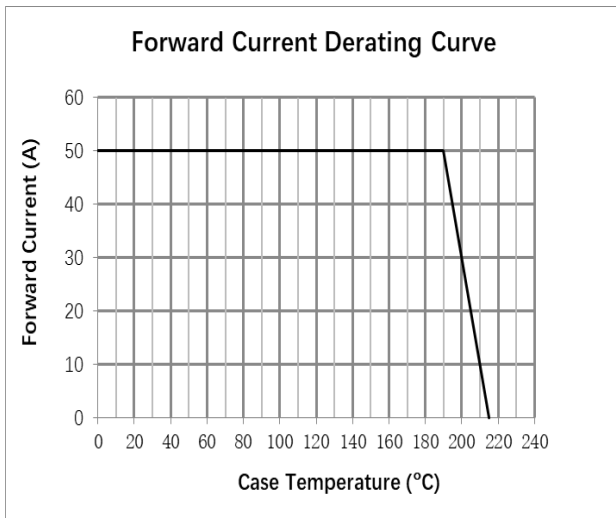
TECHNICAL DATA SHEET

WWW.KLSELE.COM

BN50L P/N

Pressfit Diode for Automotive Application
50A TVS 20-24V Diode

Rating And Characteristic Curves



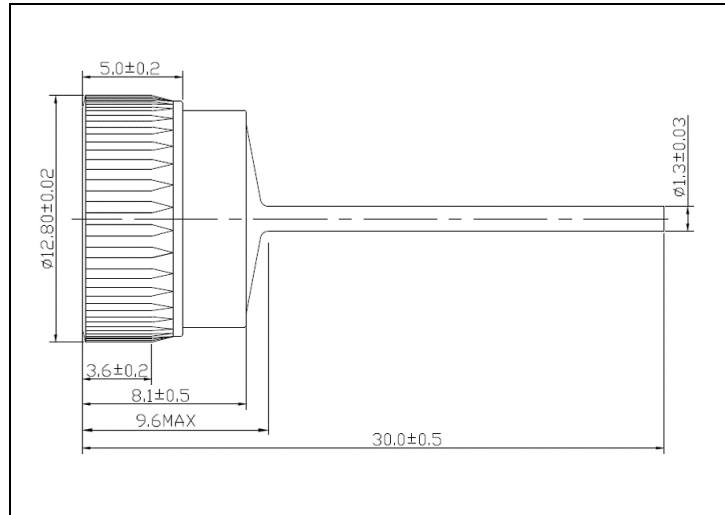
<h3>BN50M P/N</h3>	Pressfit Diode for Automotive Application 50A TVS 24-29V Diode
--------------------	-------------------------------------------------------------------

Features

- High Power Capability
- High Temperature Application
- Low Leakage
- Open Junction Technic

Polarity

BN50MP - Cathode Toward to Case
BN50MN - Anode Toward to Case



Maximum Ratings (Ta=25°C)

CHARACTERISTIC	SYMBOL	RATING	UNIT
Average Forward Current	$I_{F(AV)}$	50	A
Non-Repetive Forward Peak Surge Current (Half Sine Wave, 50Hz, 1 Cycle)	I_{FSM}	600	A
Maximum Repeative Peak Reverse Voltage	V_{RRM}	20	V
Junction Temperature	T_j	-40~215	°C
Thermal Resistance Junction to Case	$R_{\theta JC}$	0.6	°C/W

Electrical Characteristics (Ta=25°C)

CHARACTERISTIC	SYMBOL	TEST CONDITION	VALUE	UNIT
Maximum Forward Voltage	V_{FM}	$I_{FM}=100A, PW=0.3mS$	1.08	V
Maximum Reverse Current	I_{RRM1}	$V_{RRM}=20V$	0.2	uA
Maximum Reverse Current Under High Temperature	I_{RRM2}	$T_a=150^{\circ}C, V_{RRM}=20V$	100	uA
Reverse Breakdown Voltage	V_{BR}	$I_B=100mA, T=10mS$	24~29	V



NINGBO KLS ELECTRONIC CO; LTD

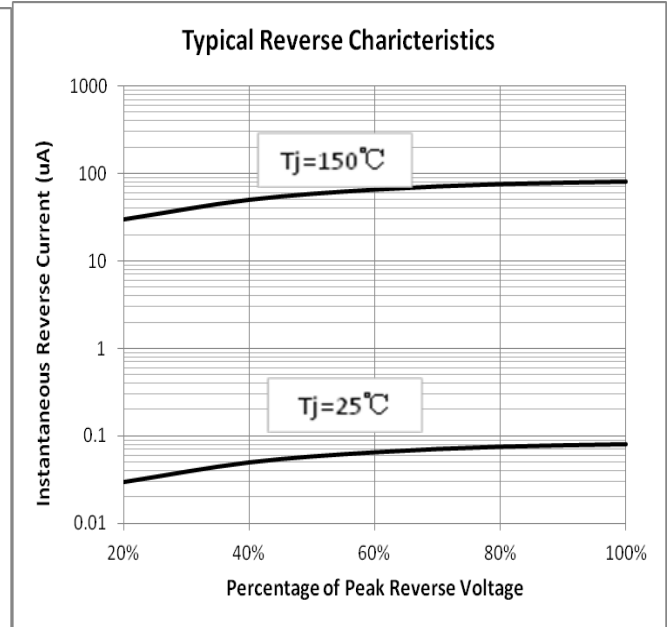
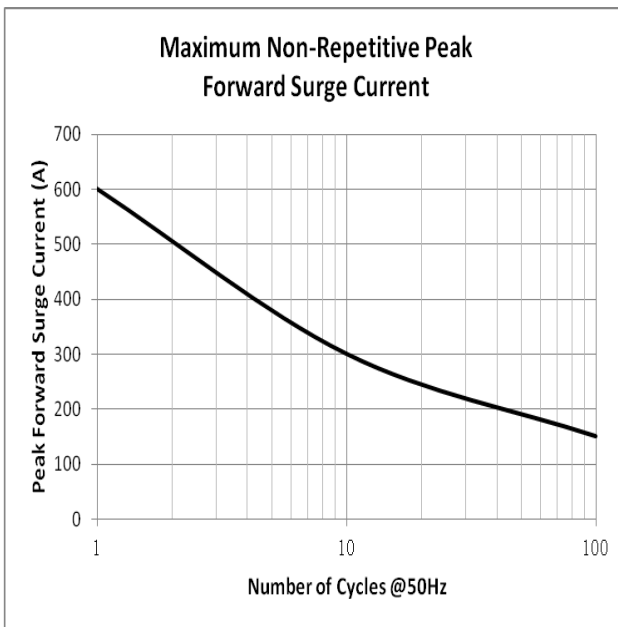
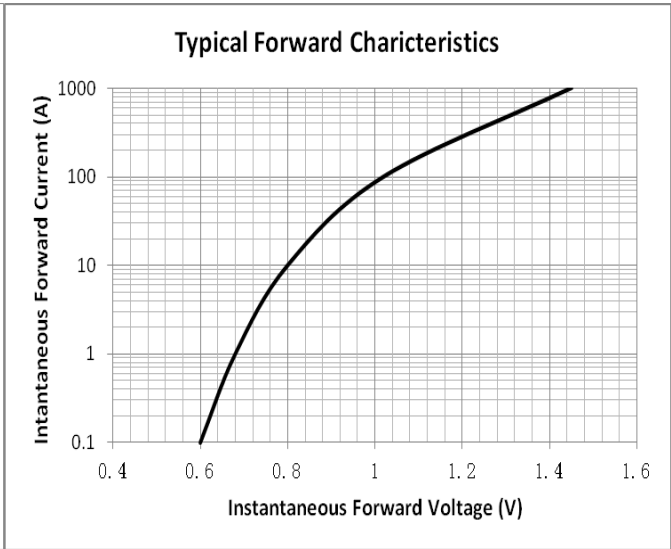
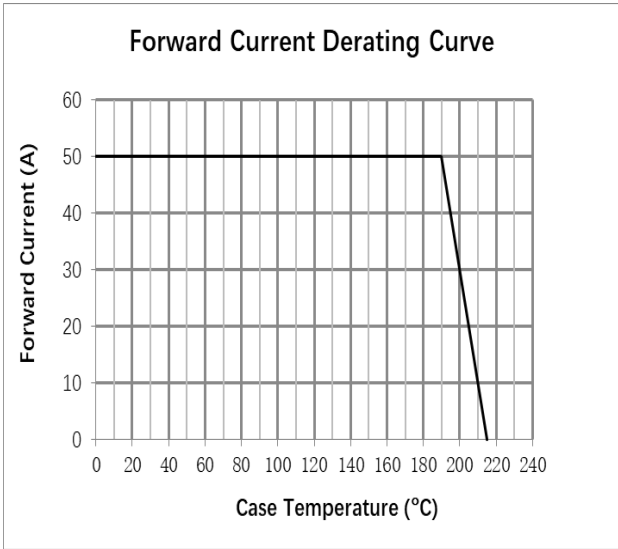
TECHNICAL DATA SHEET

WWW.KLSELE.COM

BN50M P/N

Pressfit Diode for Automotive Application
50A TVS 24-29V Diode

Rating And Characteristic Curves



BN50U P/N

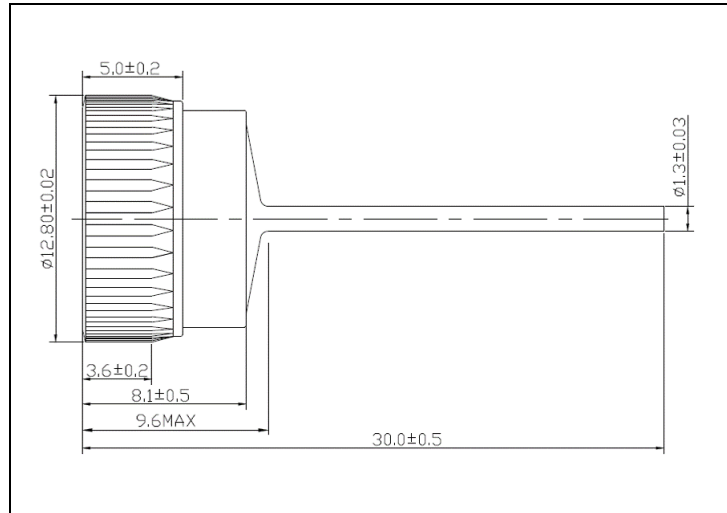
Pressfit Diode for Automotive Application
50A TVS 38-43V Diode

Features

- ▣ High Power Capability
- ▣ High Temperature Application
- ▣ Low Leakage
- ▣ Open Junction Technic

Polarity

BN35HP - Cathode Toward to Case
BN35HN - Anode Toward to Case



Maximum Ratings (Ta=25°C)

CHARACTERISTIC	SYMBOL	RATING	UNIT
Average Forward Current	$I_{F(AV)}$	50	A
Non-Repetive Forward Peak Surge Current (Half Sine Wave, 50Hz, 1 Cycle)	I_{FSM}	600	A
Maximum Repeative Peak Reverse Voltage	V_{RRM}	32	V
Junction Temperature	T_j	-40~215	°C
Thermal Resistance Junction to Case	$R_{\theta JC}$	0.6	°C/W

Electrical Characteristics (Ta=25°C)

CHARACTERISTIC	SYMBOL	TEST CONDITION	VALUE	UNIT
Maximum Forward Voltage	V_{FM}	$I_{FM}=100A, PW=10mS$	1.08	V
Maximum Reverse Current	I_{RRM1}	$V_{RRM}=32V$	0.2	uA
Maximum Reverse Current Under High Temperature	I_{RRM2}	$T_a=150^\circ C, V_{RRM}=32V$	100	uA
Reverse Breakdown Voltage	V_{BR}	$I_B=100mA, T=10mS$	38~43	V



NINGBO KLS ELECTRONIC CO; LTD

TECHNICAL DATA SHEET

WWW.KLSELE.COM

BN50U P/N

Pressfit Diode for Automotive Application
50A TVS 38-43V Diode

Rating And Characteristic Curves

