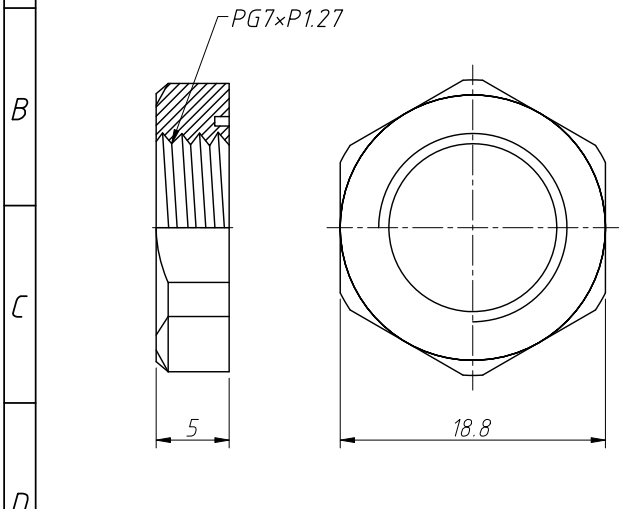
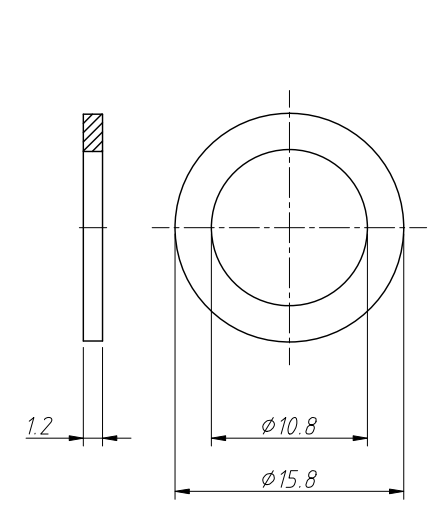


1
RoHS Compliance

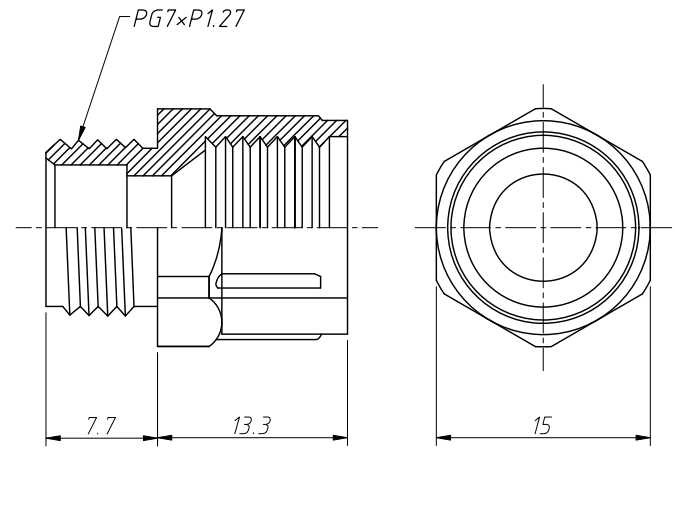
7		8		
REV	SYM	Revision Record	Appr.	Date
V0	KLS08257	New Version Release	Song	2024-01-16



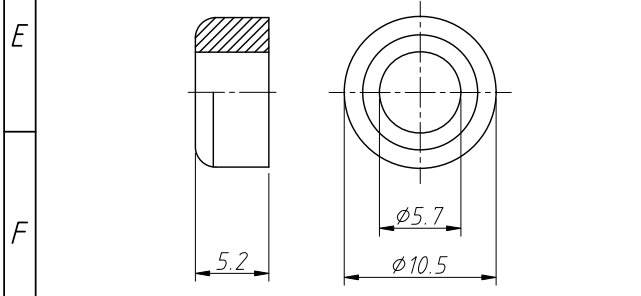
LOCK NUT



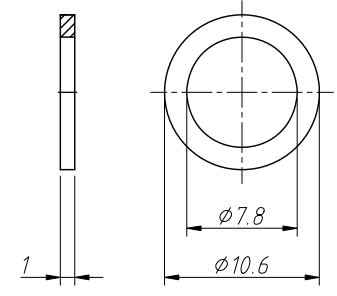
WASHER



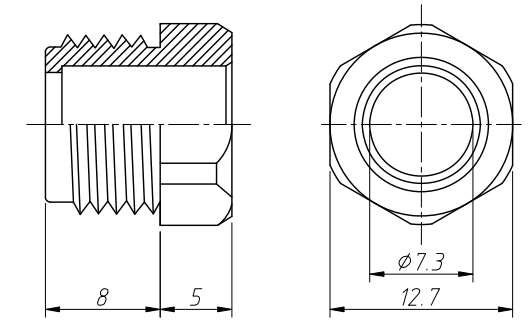
BODY



SEAL



IRON WASHER



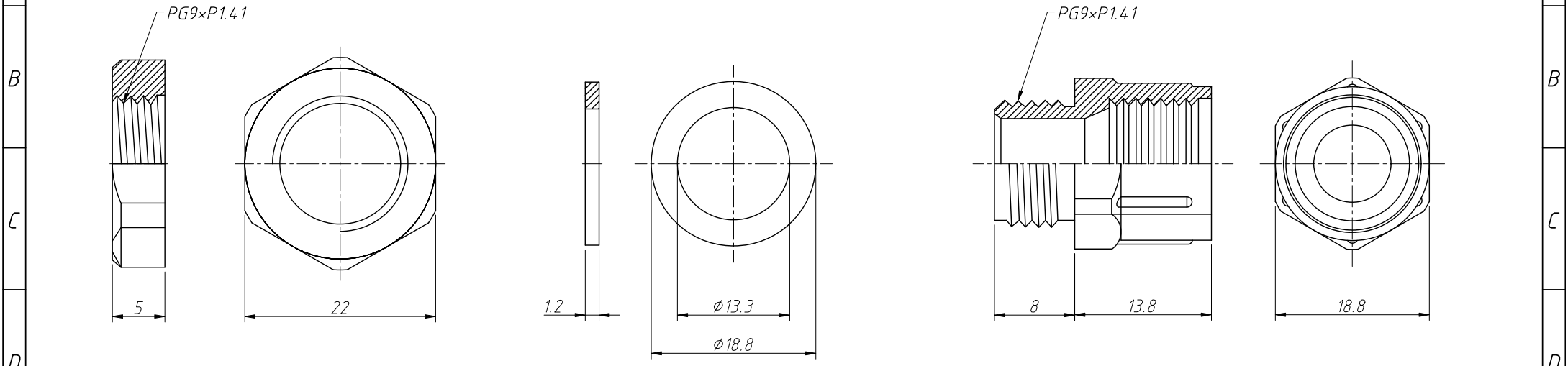
SEALING NUT

- Notes:
1. Material: PA6, UL94V-2
 2. Applicable Cables: $\phi 4.5 \sim \phi 6$ mm
 3. Unmarked tolerance: ± 0.35 mm
 4. Working temperature range: $-40^{\circ}\text{C} \sim +100^{\circ}\text{C}$
 5. Waterproof Grade IP68

ANGLE TOLERANCE	PROJECTION	Description:	Fixed head, wave tube series	
$\pm 3^{\circ}$				
GENERAL TOLERANCE	UNITS	mm	KLS P/N:	L-KLS8-0618-PGL07-G
x.x ± 0.30	SHEET SIZE	A4		
x.xx ± 0.20	Draw:	Song	2024-01-16	NingBo KLS ELECTRONIC CO.,L TD.
x.xxx ± 0.10	Check:	Daniel	2024-01-16	

1
RoHS Compliance

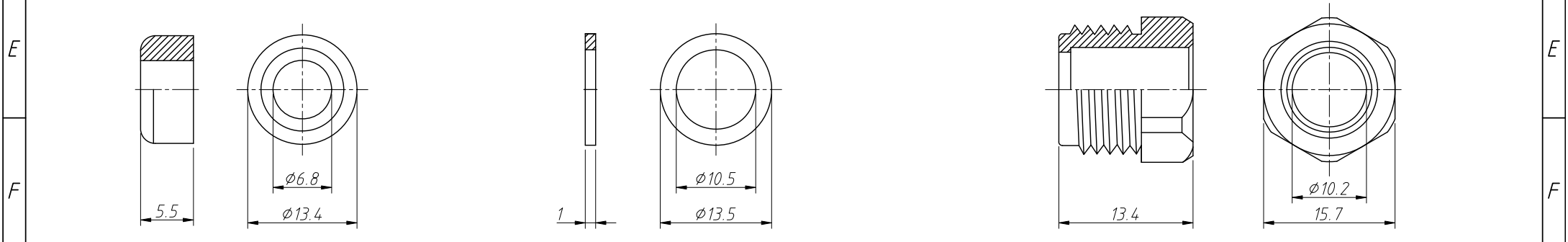
2		3		4		5		6		7		8	
REV	SYM	Revision Record				Appr.	Date						
V0	KLS08257	New Version Release				Song	2024-01-16						



LOCK NUT

WASHER

BODY



SEAL

IRON WASHER

SEALING NUT

- Notes:
1. Material: PA6, UL94V-2
 2. Applicable Cables: $\phi 4.5 \sim \phi 7\text{mm}$
 3. Unmarked tolerance: $\pm 0.35\text{ mm}$
 4. Working temperature range: $-40^{\circ}\text{C} \sim +100^{\circ}\text{C}$
 5. Waterproof Grade IP68

ANGLE TOLERANCE	PROJECTION	Description:	
$\pm 3^{\circ}$		Fixed head, wave tube series	
GENERAL TOLERANCE	UNITS	mm	KLS P/N:
x.x ± 0.30	SHEET SIZE	A4	L-KLS8-0618-PGL09-G
x.xx ± 0.20	Draw:	Song	2024-01-16
x.xxx ± 0.10	Check:	Daniel	2024-01-16

