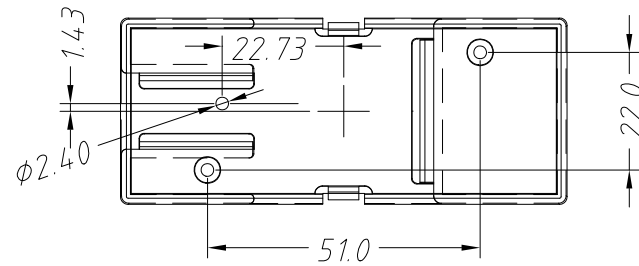
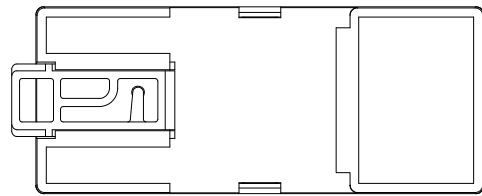
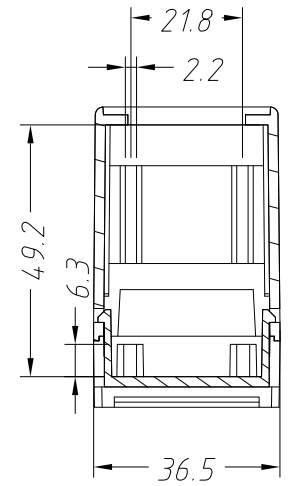
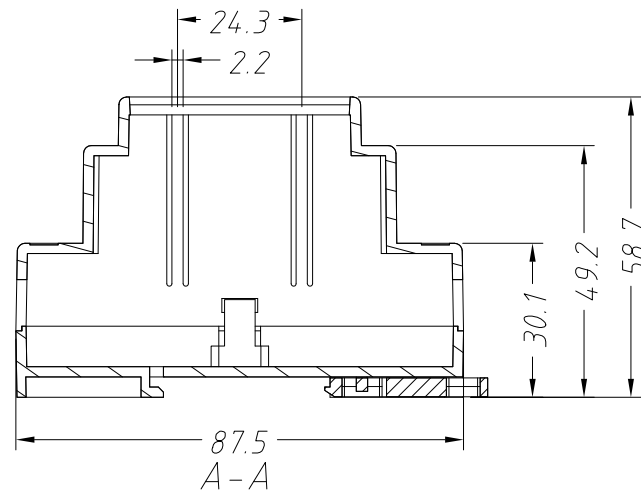
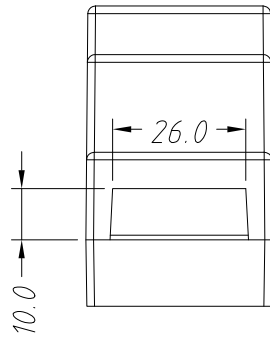
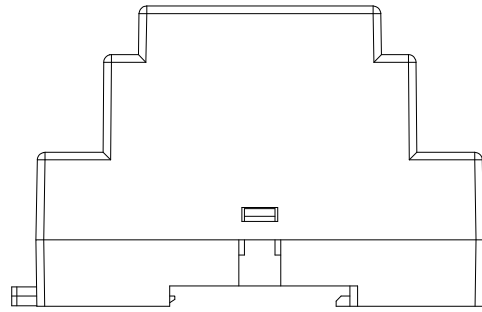
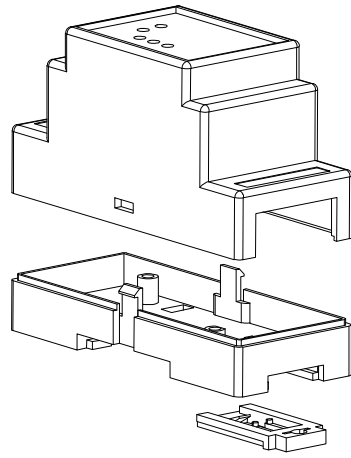
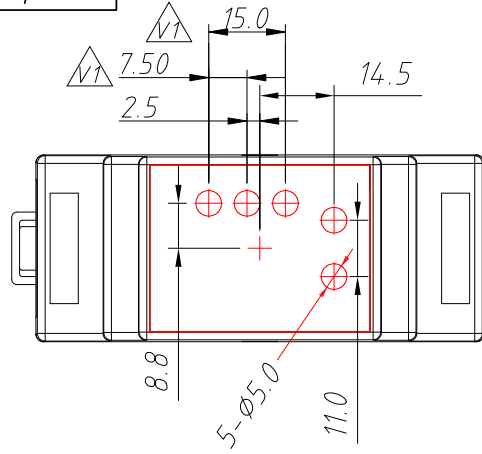


RoHS Compliance

REV	SYM	Revision Record	Appr.	Date
V1	KLS	Change the spacing between holes from 5 to 7.5		2024-01-12



GENERAL TOLERANCE	ANGLE TOLERANCE	PROJECTION		88x36x59mm Din-rail Industrial enclosure
X. ±0.15	X. ±5°	UNITS	mm	L-KLS24-DR01C
X ±0.03	.X ±3°	SHEET SIZE	A4	
.XX ±0.05	.XX ±2°	Cover	KLS P/N:	

Draw by:	Date:	2018-10-10
Check by:	Date:	2018-10-10
SCALE	SHEET	1 OF 1

NingBo KLS ELECTRONIC CO.,LTD.