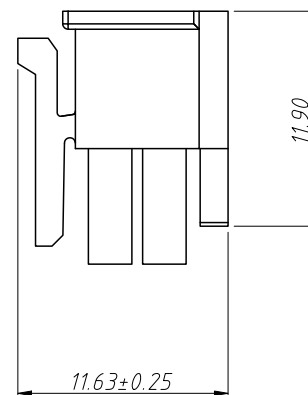
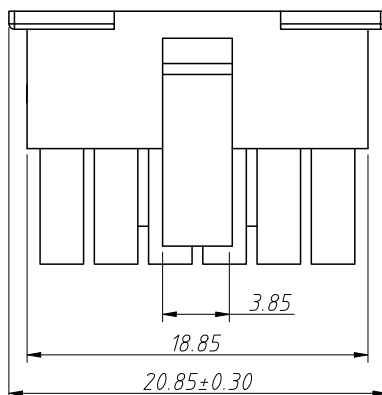
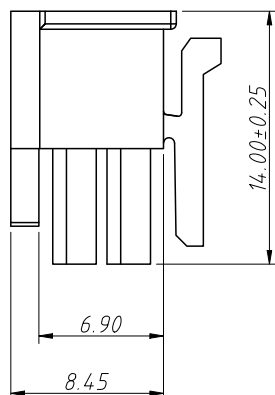


RoHS Compliance

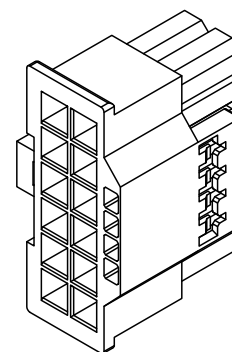
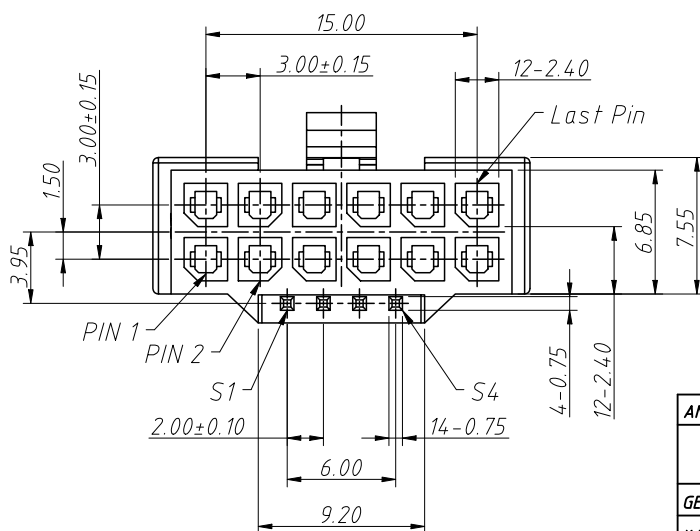
REV	SYM	Revision Record	Appr.	Date
V0	KLS01140	New Version Release	Song	2023-12-27



Notes:
 1.Material:
 Housing:PA66,UL 94 V-0,Black



2.Electric:
 Voltage Rating:250V AC,DC
 Current Rating:5A AC,DC
 Withstanding Voltage:1500V AC/minute
 Insulation Resistance:1000MΩ Min
 Temperature Range:-25°C ~ +85°C
 Poles:12+4P



Order Information

L-KLS1-XM4-3.00-2x06D-M H

- RoHS
- Wire To Board
- Pitch:3.00mm
- 2-Double Layer
- XX-No.of Pins
- M-Male
- H-Housing

ANGLE TOLERANCE	PROJECTION	Description:	Pitch 3.00mm 12+4P PCIe Housing	
±3°				
GENERAL TOLERANCE	UNITS	mm	KLS P/N:	L-KLS1-XM4-3.00-2x06D-MH
x.x ±0.25	SHEET SIZE	A4		
x.xx ±0.20	Draw:	Song	2023-12-27	
x.xxx ±0.05	Check:	Daniel	2023-12-27	

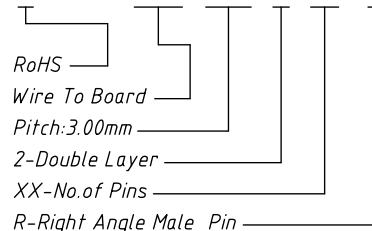
NingBo KLS ELECTRONIC CO.,L TD.

RoHS Compliance

REV	SYM	Revision Record	Appr.	Date
V0	KLS01140	New Version Release	Song	2023-12-27

Order Information

L-KLS1-XM4-3.00-2X06D-R



NOTE:

1.Material:

Insulator:PA9T,UL 94 V-0,Black.

PWR & GND Pin: C1100,

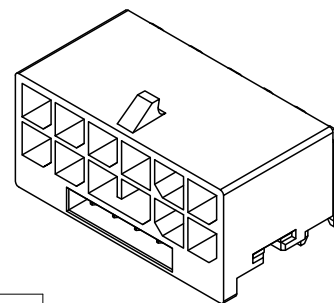
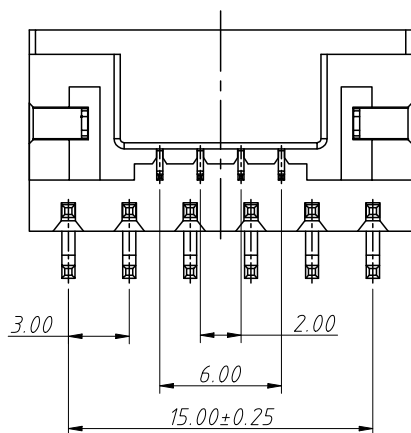
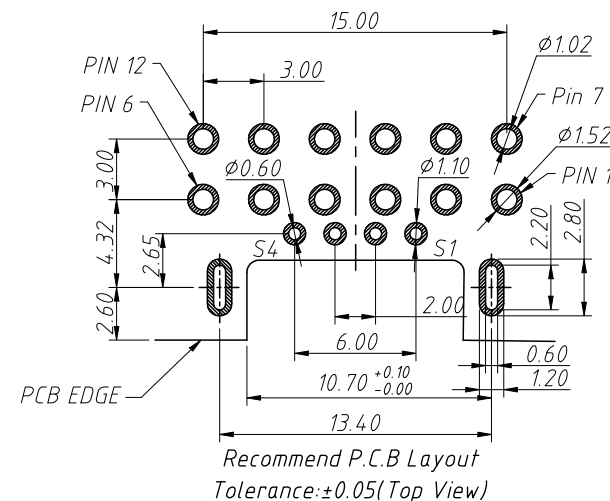
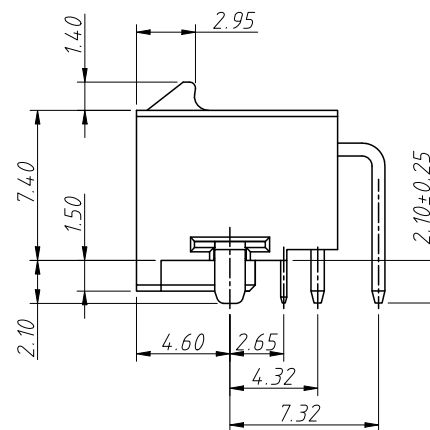
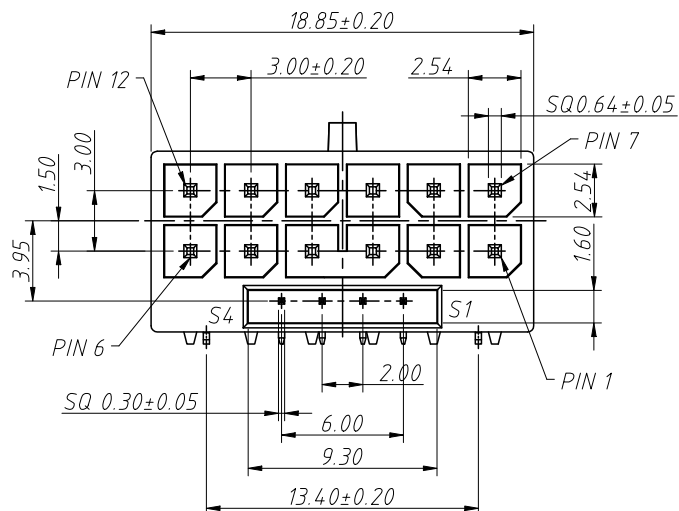
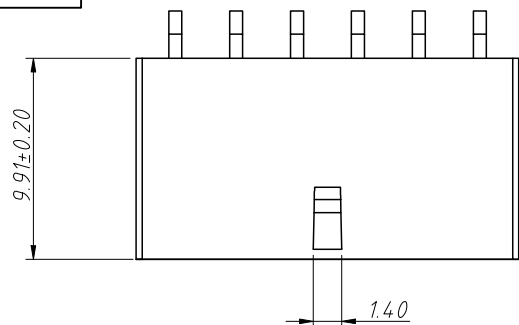
Sense Pin:C2680

Board Lock:SUS201

2.Finish:

Contact: 80u"Min Matte Tin Plated Overall,

30u" Min Nickelunder Plated



3.Electrical Characteristics:

Current Rating:9.2A Per Pin(PWR & GND PIN)

Dielectric Withstanding Voltage:1500 V AC 1Minute

Insulation Resistance:1000MΩ Min.AT 500V/DC

Contact Resistance:10mΩ Max

Temperature Range:-40°C ~ +105°C

Max.Processing Temp:230°C For 60 Seconds

260°C For 10 Seconds

Pin Signal	PIN NO.
PWR Pin	1-6
GND Pin	7-12
S1	CARD_PWR_STABLE
S2	CARD_CBL_PRES#
S3	SENSE0
S4	DO NOT USE

ANGLE TOLERANCE	PROJECTION	Description:
±3°		
GENERAL TOLERANCE	UNITS	mm
x.x ±0.25	SHEET SIZE	A4
x.xx ±0.20	Draw:	Song
x.xxx ±0.05	Check:	Daniel

Pitch 3.00mm 12+4P PCIe Housing

L-KLS1-XM4-3.00-2X06D-R



NingBo KLS ELECTRONIC CO.,L TD.

RoHS Compliance

REV	SYM	Revision Record	Appr.	Date
V0	KLS01140	New Version Release	Song	2023-12-27

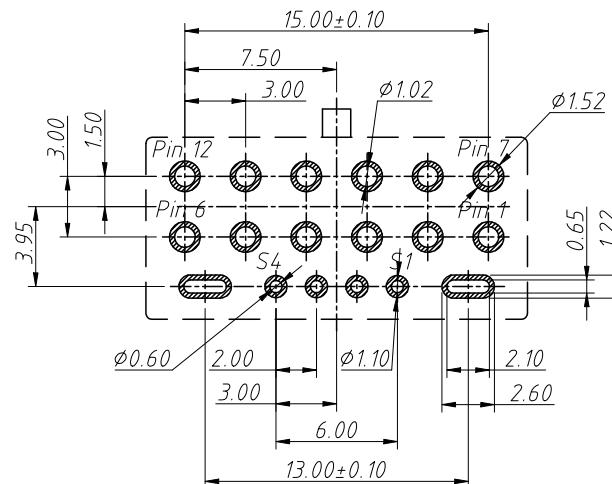
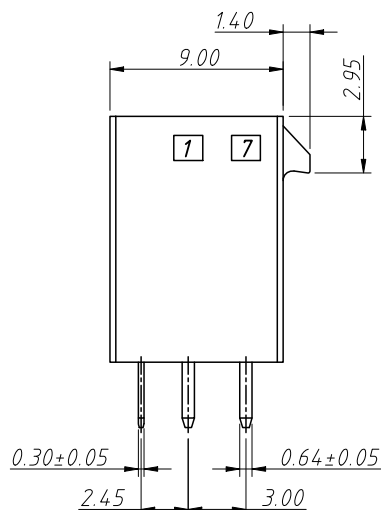
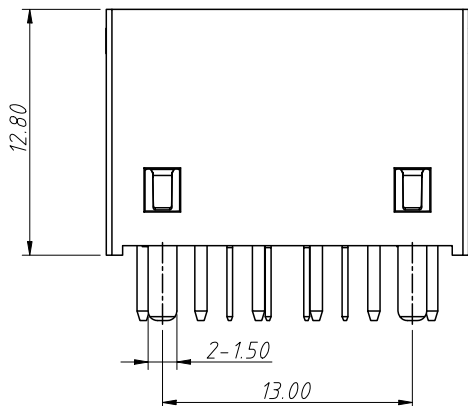
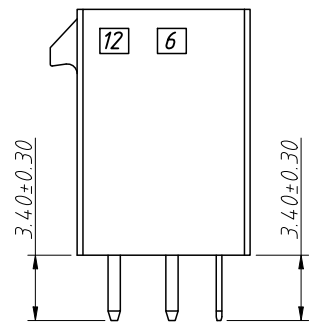
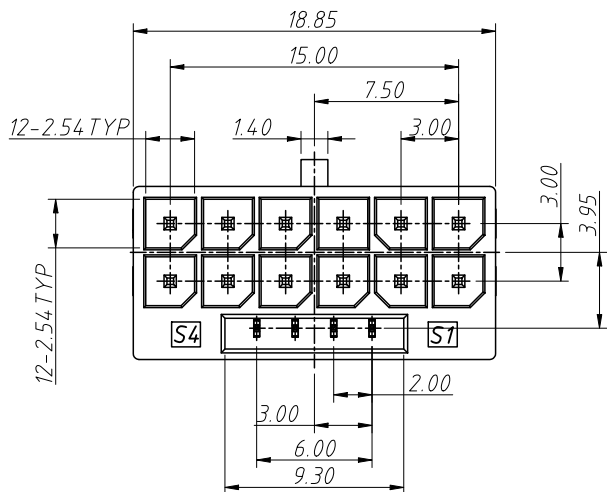
Order Information

L-KLS1-XM4-3.00-2X06D-S

- RoHS
- Wire To Board
- Pitch:3.00mm
- 2-Double Layer
- XX-No.of Pins
- S-Straight Male Pin

NOTE:

- 1.Material:
Insulator:PA9T,UL94V-0,Black.
PWR & GND Pin: C1100,
Sense Pin:C2680
Board Lock:SUS201
- 2.Finish:
Contact: 80u"Min Matte Tin Plated Overall,
30u" Min Nickelunder Plated

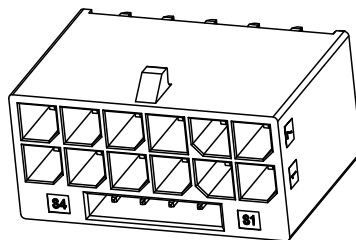
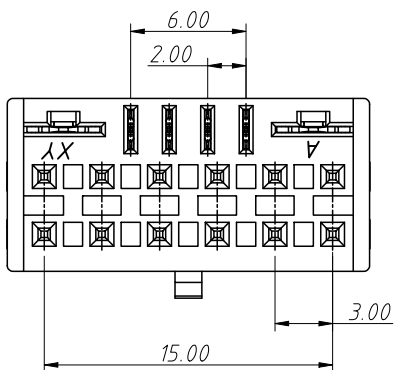


Recommend P.C.B Layout
Tolerance:±0.05(Top View)

3.Electrical Characteristics:

- Current Rating:9.2A Per Pin(PWR & GND PIN)
- Dielectric Withstanding Voltage:1500 VAC 1Minute
- Insulation Resistance:1000MΩ Min.AT 500V/DC
- Contact Resistance:10mΩ Max
- Temperature Range:-40°C ~ +105°C

Pin Signal	PIN NO.
PWR Pin	1-6
GND Pin	7-12
S1	CARD_PWR_STAB
S2	CARD_CBL_PRES
S3	SENSE0
S4	DO NOT USE



ANGLE TOLERANCE	PROJECTION	Description:
±3°		Pitch 3.00mm 12+4P PCIe Housing
GENERAL TOLERANCE	UNITS	mm
x.x ±0.25	SHEET SIZE	A4
x.xx ±0.20	Draw:	Song
x.xxx ±0.05	Check:	Daniel
		KLS P/N: L-KLS1-XM4-3.00-2X06D-S



NingBo KLS ELECTRONIC CO.,L TD.