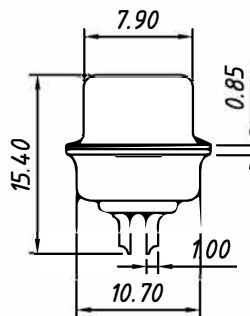
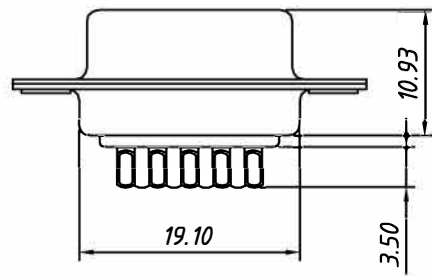
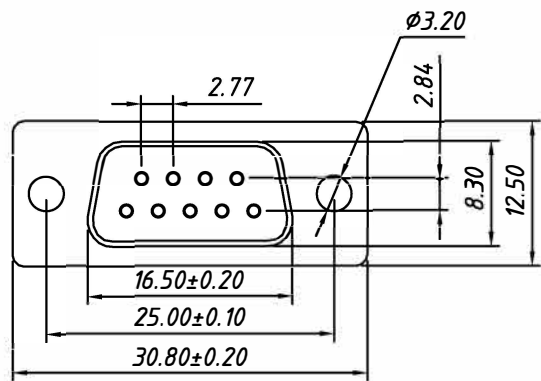


RoHS Compliant



**Material:**  
**Housing:** PBT+30% Glass filled ,UL94V-0  
**Contacts:** Brass ,  
 Gold Plating on Contact Arer,  
 Tin on Solder Tail.  
**Shell:** Steel,  
 Front Shell Nickel Plating,  
 Back Shell Tin Plating

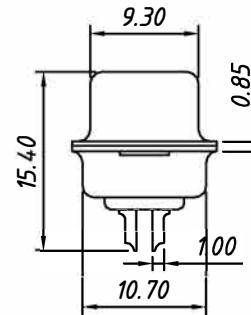
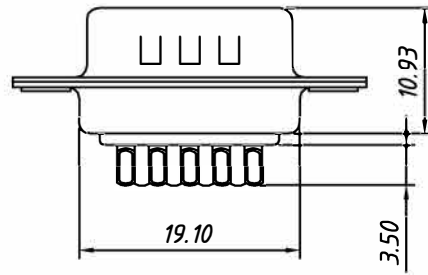
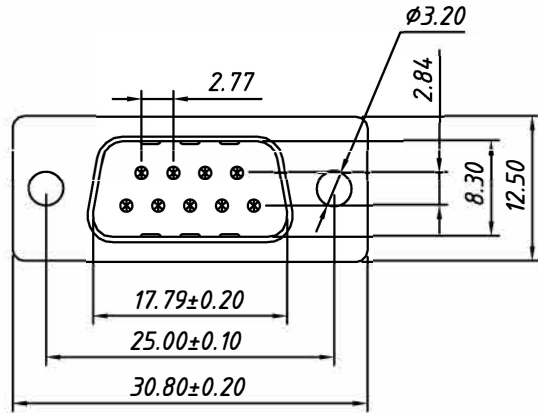
**Electrical Characteristics:**  
**Current Rating:** 5 AMP  
**Insulator Resistance:** 1000MΩ Min. at DC 500V  
**Withstanding Voltage:** 500V AC (rms) for 1 minute  
**Contact Resistance:** 20mΩ Max. Initial  
**Operating Temperature:** -55°C ~ +105°C

**Order Information**

**L - KLS1 - 213 - 09 - F - L**  
 RoHS \_\_\_\_\_  
 D-SUB Connector, \_\_\_\_\_  
 2 Row Solder type, Simple Terminal  
 Number of Contacts \_\_\_\_\_  
 Connector type: F-Female \_\_\_\_\_  
 Housing Color: \_\_\_\_\_  
 B-Black L-Blue W-White

GENERAL TOLERANCE	PROJECTION		Description:
X. ±0.30	UNITS	mm	D-SUB Connector, Solder Type, Female, Simple Terminal
.X ±0.25	SCALE	1:1	
.XX ±0.20	Draw by:	Daniel	KLS P/N: L-KLS1-213-09-F-L
ANGLE TOLERANCE	Check by:	Daniel	NingBo KLS ELECTRONIC CO.,L TD.
X. ±3°	Date	2018-03-01	
.X ±2°	SHEET	1 OF 1	
.XX ±1°			

1 RoHS Compliant



Material:  
 Housing: PBT+30% Glass filled ,UL94V-0  
 Contacts: Brass ,  
 Gold Plating on Contact Area,  
 Tin on Solder Tail.  
 Shell: Steel,  
 Front Shell Nickel Plating,  
 Back Shell Tin Plating

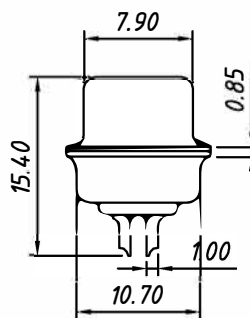
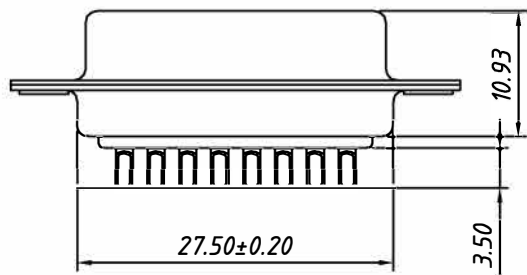
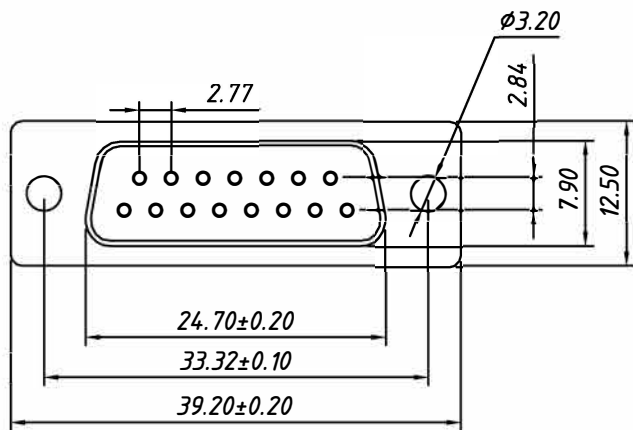
Electrical Characteristics:  
 Current Rating: 5 AMP  
 Insulator Resistance: 1000MΩ Min. at DC 500V  
 Withstanding Voltage: 500V AC (rms) for 1 minute  
 Contact Resistance: 20mΩ Max. Initial  
 Operating Temperature: -55°C ~ +105°C

Order Information

L - KLS1 - 213 - 09 - M - L  
 RoHS \_\_\_\_\_  
 D-SUB Connector, \_\_\_\_\_  
 2 Row Solder type, Simple Terminal  
 Number of Contacts \_\_\_\_\_  
 Connector type: M-Male \_\_\_\_\_  
 Housing Color: \_\_\_\_\_  
 B-Black L-Blue W-White

GENERAL TOLERANCE	PROJECTION		Description:
X. ±0.30	UNITS	mm	D-SUB Connector, 9Pin Solder Type, Male, Simple Terminal
.X ±0.25	SCALE	1:1	
.XX ±0.20	Draw by:	Daniel	
ANGLE TOLERANCE	Check by:	Daniel	KLS P/N: L-KLS1-213-09-M-L
X. ±3°	Date	2018-03-01	NingBo KLS ELECTRONIC CO.,L TD.
.X ±2°	SHEET	1 OF 1	
.XX ±1°			

RoHS Compliant



**Material:**  
 Housing: PBT+30% Glass filled ,UL94V-0  
 Contacts: Brass ,  
 Gold Plating on Contact Arer,  
 Tin on Solder Tail.  
**Shell: Steel,**  
 Front Shell Nickel Plating,  
 Back Shell Tin Plating

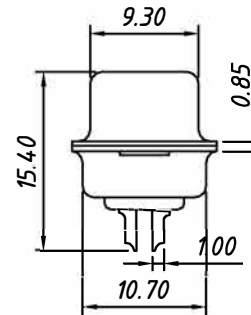
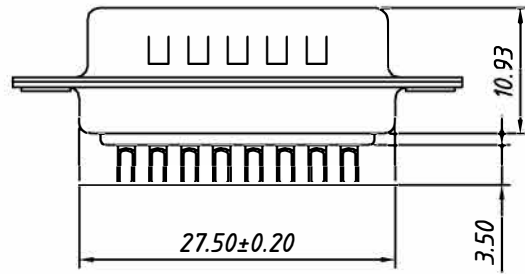
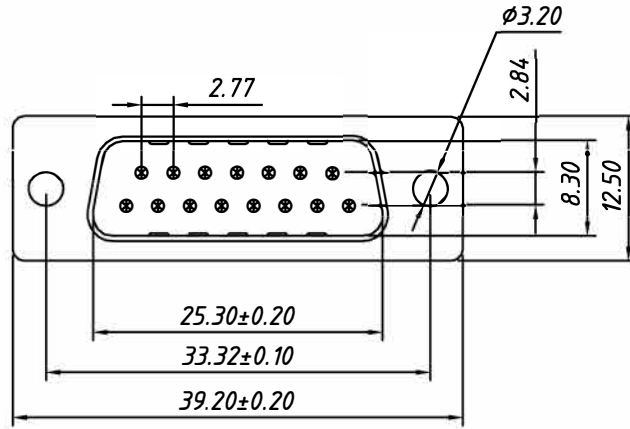
**Electrical Characteristics:**  
 Current Rating: 5 AMP  
 Insulator Resistance: 1000MΩ Min. at DC 500V  
 Withstanding Voltage: 500V AC (rms) for 1 minute  
 Contact Resistance: 20mΩ Max. Initial  
 Operating Temperature: -55°C ~ +105°C

**Order Information**

L - KLS1 - 213 - 15 - F - L  
 RoHS  
 D-SUB Connector,  
 2 Row Solder type, Simple Terminal  
 Number of Contacts  
 Connector type: F-Female  
 Housing Color:  
 B-Black L-Blue W-White

<b>GENERAL TOLERANCE</b>	<b>PROJECTION</b>		<b>Description:</b>
X. ±0.30	UNITS	mm	D-SUB Connector, 15Pin Solder Type, Female, Simple Terminal
.X ±0.25	SCALE	1:1	
.XX ±0.20	Draw by:	Daniel	
<b>ANGLE TOLERANCE</b>	Check by:	Daniel	<b>KLS P/N:</b> L-KLS1-213-15-F-L
X. ±3°	Date	2018-03-01	NingBo KLS ELECTRONIC CO.,L TD.
.X ±2°	SHEET	1 OF 1	
.XX ±1°			

RoHS Compliant



**Material:**  
**Housing:** PBT+30% Glass filled,UL94V-0  
**Contacts:** Brass ,  
 Gold Plating on Contact Arer,  
 Tin on Solder Tail.  
**Shell:** Steel,  
 Front Shell Nickel Plating,  
 Back Shell Tin Plating

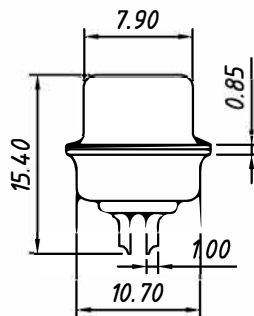
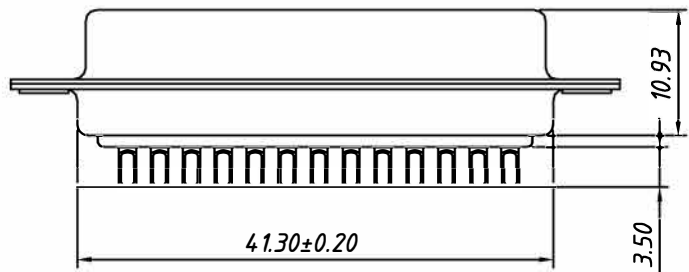
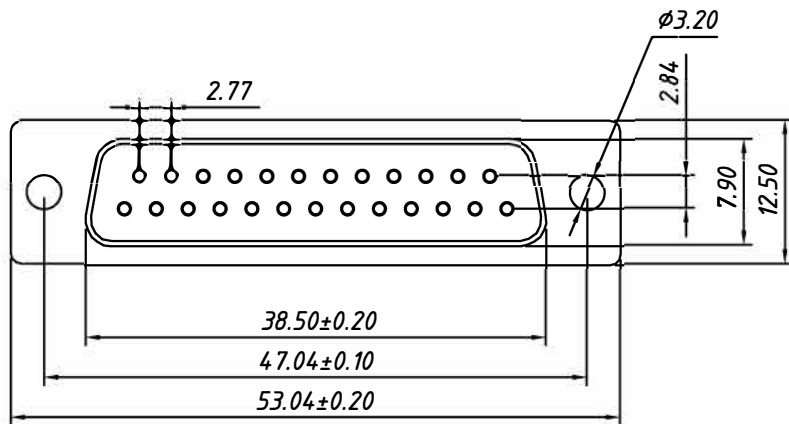
**Electrical Characteristics:**  
**Current Rating:** 5 AMP  
**Insulator Resistance:** 1000MΩ Min. at DC 500V  
**Withstanding Voltage:** 500V AC (rms) for 1 minute  
**Contact Resistance:** 20mΩ Max. Initial  
**Operating Temperature:** -55°C ~ +105°C

**Order Information**

L - KLS1 - 213 - 15 - M - L  
 RoHS \_\_\_\_\_  
 D-SUB Connector, \_\_\_\_\_  
 2 Row Solder type, Simple Terminal  
 Number of Contacts \_\_\_\_\_  
 Connector type: M-Male \_\_\_\_\_  
 Housing Color: \_\_\_\_\_  
 B-Black L-Blue W-White

GENERAL TOLERANCE	PROJECTION		Description:
X. ±0.30	UNITS	mm	D-SUB Connector, 15Pin Solder Type, Male, Simple Terminal
.X ±0.25	SCALE	1:1	
.XX ±0.20	Draw by:	Daniel	
ANGLE TOLERANCE	Check by:	Daniel	KLS P/N: L-KLS1-213-15-M-L
X. ±3°	Date	2018-03-01	NingBo KLS ELECTRONIC CO.,L TD.
.X ±2°	SHEET	1 OF 1	
.XX ±1°			

RoHS Compliant



**Material:**  
**Housing:** PBT+30% Glass filled ,UL94V-0  
**Contacts:** Brass ,  
 Gold Plating on Contact Arer,  
 Tin on Solder Tail.  
**Shell:** Steel,  
 Front Shell Nickel Plating,  
 Back Shell Tin Plating

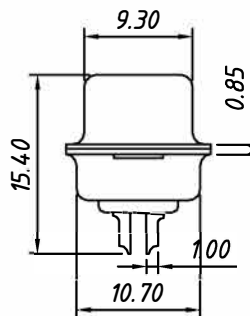
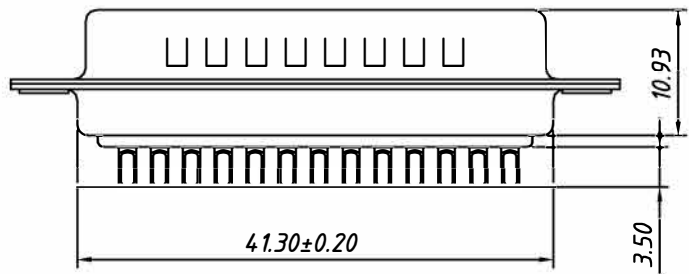
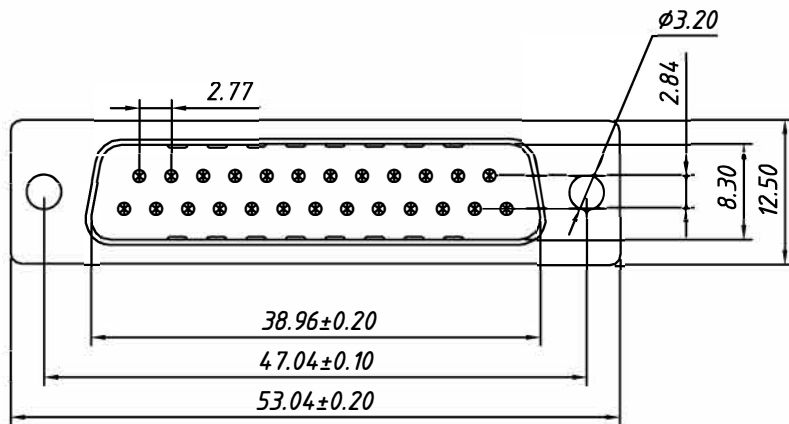
**Electrical Characteristics:**  
**Current Rating:** 5 AMP  
**Insulator Resistance:** 1000MΩ Min. at DC 500V  
**Withstanding Voltage:** 500V AC (rms) for 1 minute  
**Contact Resistance:** 20mΩ Max. Initial  
**Operating Temperature:** -55°C ~ +105°C

**Order Information**

L - KLS1 - 213 - 25 - F - L  
 RoHS \_\_\_\_\_  
 D-SUB Connector, \_\_\_\_\_  
 2 Row Solder type, Simple Terminal  
 Number of Contacts \_\_\_\_\_  
 Connector type: F-Female \_\_\_\_\_  
 Housing Color: \_\_\_\_\_  
 B-Black L-Blue W-White

GENERAL TOLERANCE	PROJECTION		Description:
X. ±0.30	UNITS	mm	D-SUB Connector,25Pin Solder Type, Female, Simple Terminal
.X ±0.25	SCALE	1:1	
.XX ±0.20	Draw by:	Daniel	
ANGLE TOLERANCE	Check by:	Daniel	KLS P/N: L-KLS1-213-25-F-L
X. ±3°	Date	2018-03-01	NingBo KLS ELECTRONIC CO.,L TD.
.X ±2°	SHEET	1 OF 1	
.XX ±1°			

RoHS Compliant



**Material:**  
**Housing:** PBT+30% Glass filled ,UL94V-0  
**Contacts:** Brass ,  
 Gold Plating on Contact Arer,  
 Tin on Solder Tail.  
**Shell:** Steel,  
 Front Shell Nickel Plating,  
 Back Shell Tin Plating

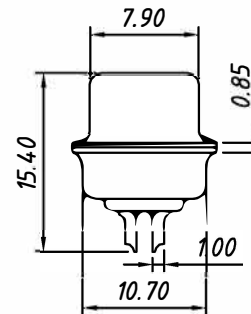
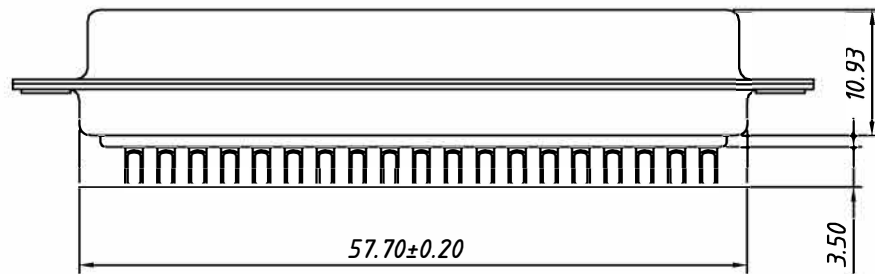
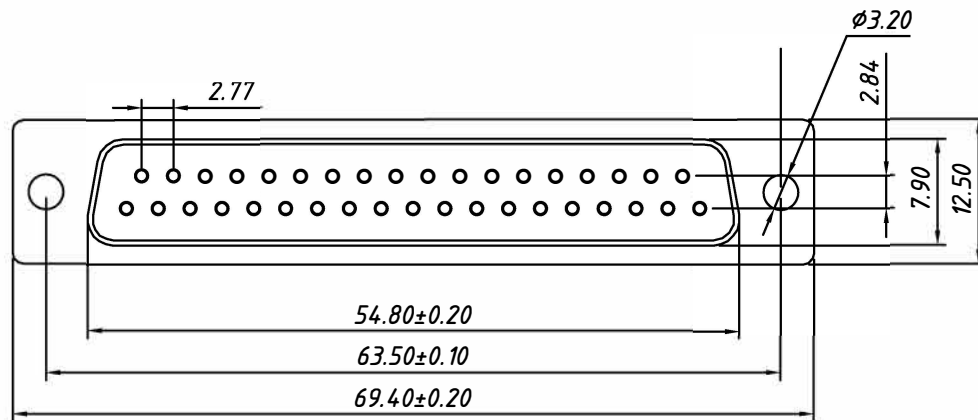
**Electrical Characteristics:**  
**Current Rating:** 5 AMP  
**Insulator Resistance:** 1000MΩ Min. at DC 500V  
**Withstanding Voltage:** 500V AC (rms) for 1 minute  
**Contact Resistance:** 20mΩ Max. Initial  
**Operating Temperature:** -55°C ~ +105°C

**Order Information**

L - KLS1 - 213 - 25- M - L  
 RoHS \_\_\_\_\_  
 D-SUB Connector, \_\_\_\_\_  
 2 Row Solder type, Simple Terminal  
 Number of Contacts \_\_\_\_\_  
 Connector type: M-Male \_\_\_\_\_  
 Housing Color: \_\_\_\_\_  
 B-Black L-Blue W-White

<b>GENERAL TOLERANCE</b>	<b>PROJECTION</b>		<b>Description:</b>
X. ±0.30	UNITS	mm	D-SUB Connector, 25Pin Solder Type, Male, Simple Terminal
.X ±0.25	SCALE	1:1	
.XX ±0.20	Draw by:	Daniel	
<b>ANGLE TOLERANCE</b>	Check by:	Daniel	<b>KLS P/N:</b> L-KLS1-213-25-M-L
X. ±3°	Date	2018-03-01	NingBo KLS ELECTRONIC CO.,LTD.
.X ±2°	SHEET	1 OF 1	
.XX ±1°			

RoHS Compliant



**Material:**  
**Housing:** PBT+30% Glass filled ,UL94V-0  
**Contacts:** Brass ,  
 Gold Plating on Contact Arer,  
 Tin on Solder Tail.  
**Shell:** Steel,  
 Front Shell Nickel Plating,  
 Back Shell Tin Plating

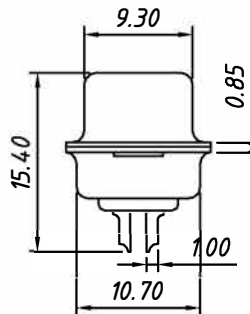
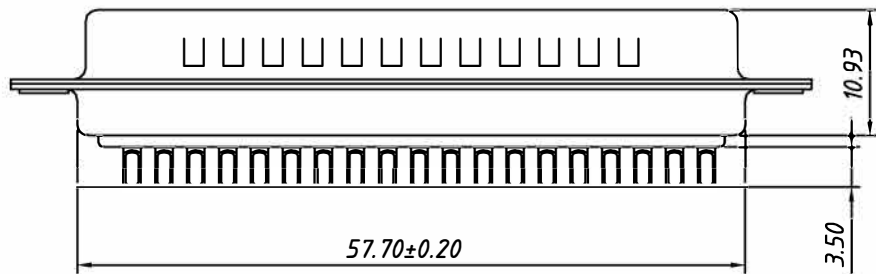
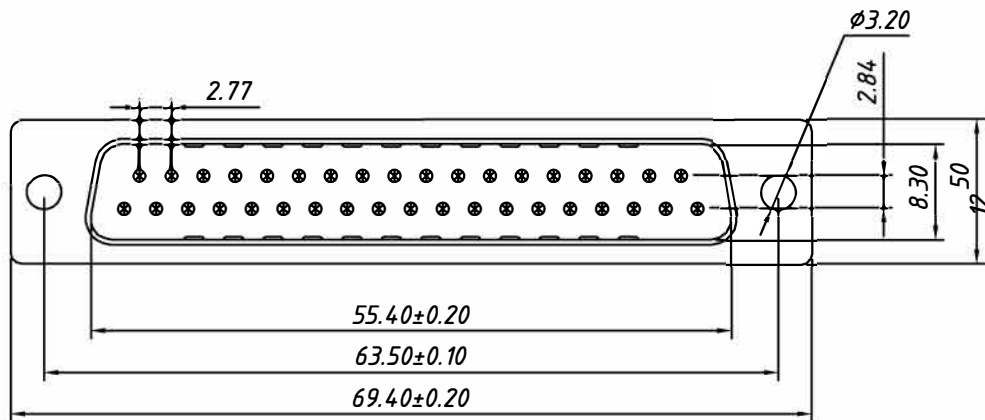
**Electrical Characteristics:**  
**Current Rating:** 5 AMP  
**Insulator Resistance:** 1000MΩ Min. at DC 500V  
**Withstanding Voltage:** 500V AC (rms) for 1 minute  
**Contact Resistance:** 20mΩ Max. Initial  
**Operating Temperature:** -55°C ~ +105°C

**Order Information**

L - KLS1 - 213 - 37 - F - L  
 RoHS \_\_\_\_\_  
 D-SUB Connector, \_\_\_\_\_  
 2 Row Solder type, Simple Terminal  
 Number of Contacts \_\_\_\_\_  
 Connector type: F-Female \_\_\_\_\_  
 Housing Color: \_\_\_\_\_  
 B-Black L-Blue W-White

GENERAL TOLERANCE	PROJECTION		Description:
X. ±0.30	UNITS	mm	D-SUB Connector, 37Pin Solder Type, Female, Simple Terminal
.X ±0.25	SCALE	1:1	
.XX ±0.20	Draw by:	Daniel	
ANGLE TOLERANCE	Check by:	Daniel	KLS P/N: L-KLS1-213-37-F-L
X. ±3°	Date	2018-03-01	NingBo KLS ELECTRONIC CO.,L TD.
.X ±2°	SHEET	1 OF 1	
.XX ±1°			

1 RoHS Compliant



Material:  
 Housing: PBT+30% Glass filled,UL94V-0  
 Contacts: Brass,  
 Gold Plating on Contact Arer,  
 Tin on Solder Tail.  
 Shell: Steel,  
 Front Shell Nickel Plating,  
 Back Shell Tin Plating

Electrical Characteristics:  
 Current Rating: 5 AMP  
 Insulator Resistance: 1000MΩ Min. at DC 500V  
 Withstanding Voltage: 500V AC (rms) for 1 minute  
 Contact Resistance: 20mΩ Max. Initial  
 Operating Temperature: -55°C ~ +105°C

Order Information

L - KLS1 - 213 - 37 - M - L  
 RoHS \_\_\_\_\_  
 D-SUB Connector, \_\_\_\_\_  
 2 Row Solder type, Simple Terminal  
 Number of Contacts \_\_\_\_\_  
 Connector type: M-Male \_\_\_\_\_  
 Housing Color: \_\_\_\_\_  
 B-Black L-Blue W-White

GENERAL TOLERANCE	PROJECTION		Description:
X. ±0.30	UNITS	mm	D-SUB Connector,37Pin Solder Type, Male, Simple Terminal
.X ±0.25	SCALE	1:1	
.XX ±0.20	Draw by:	Daniel	
ANGLE TOLERANCE	Check by:	Daniel	KLS P/N: L-KLS1-213-37-M-L
X. ±3°	Date	2018-03-01	NingBo KLS ELECTRONIC CO.,L TD.
.X ±2°	SHEET	1 OF 1	
.XX ±1°			