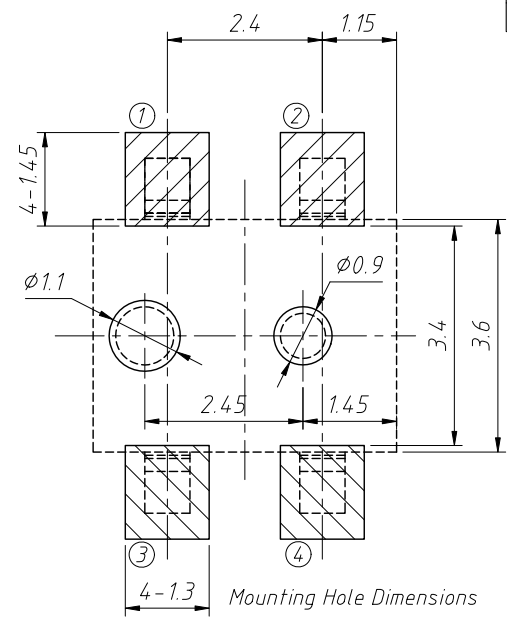
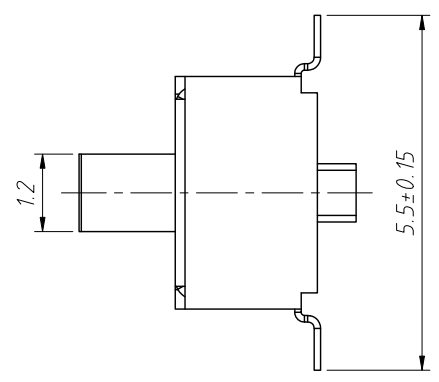
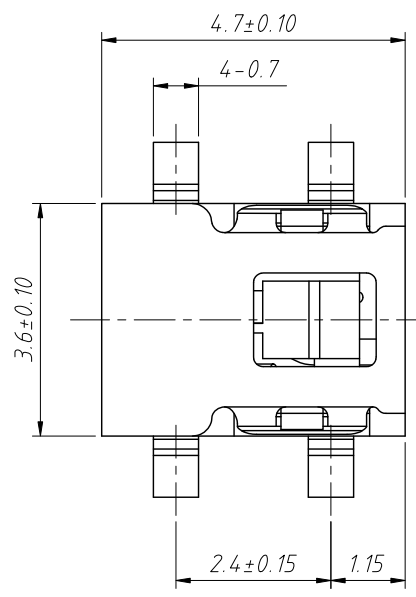


REV	SYM	Revision Record	Appr.	Date
V0	KLS07053	New Version Release	Jenny	2023-12-13

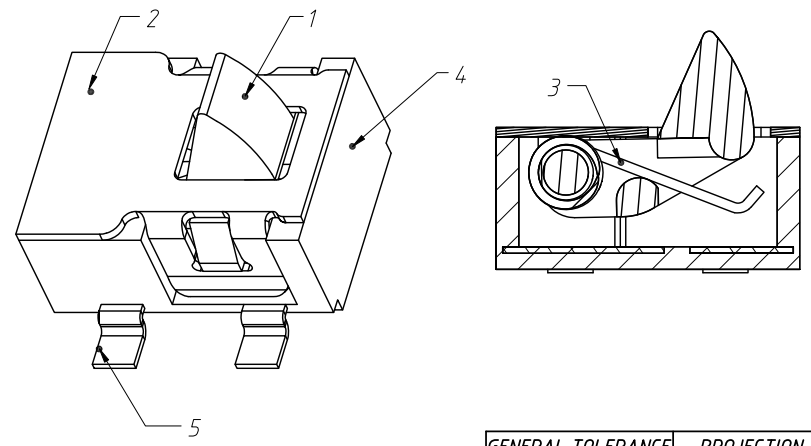
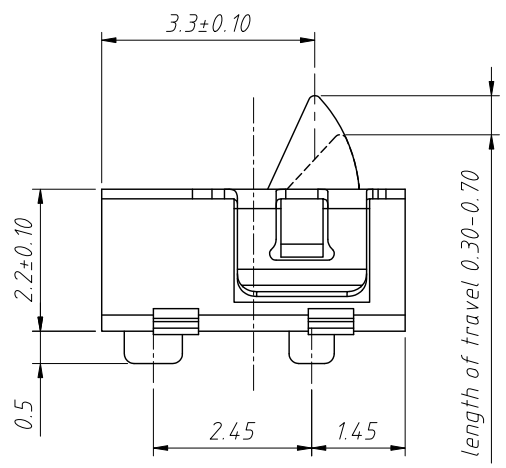


Material

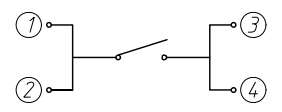
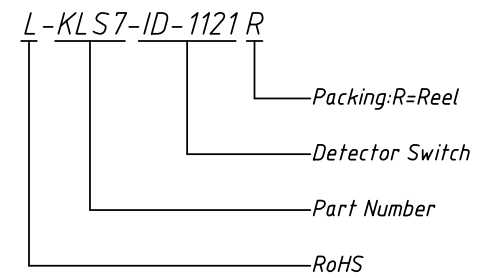
- 1.Button:LCP, Black
- 2.Plastic Cover:Stainless Steel
- 3.Contact Form:Phosphorous copper $\phi=0.16$, Ag plating
- 4.Base:LCP, Black
- 5.Soldering pins:Phosphorous copper $T=0.1$, Ag plating

SPECIFICATION:

- Rating:DC16V 1A.
- Contact Resistance:200 m Ω max
- Insulation Resistance:50 M Ω Mim
- Electrical Strength: AC 500 V 1 Minute
- Operating Force:40 \pm 15gf
- Electrical Life: 20000 cycles
- No.Tolerances:GB/T1804-m



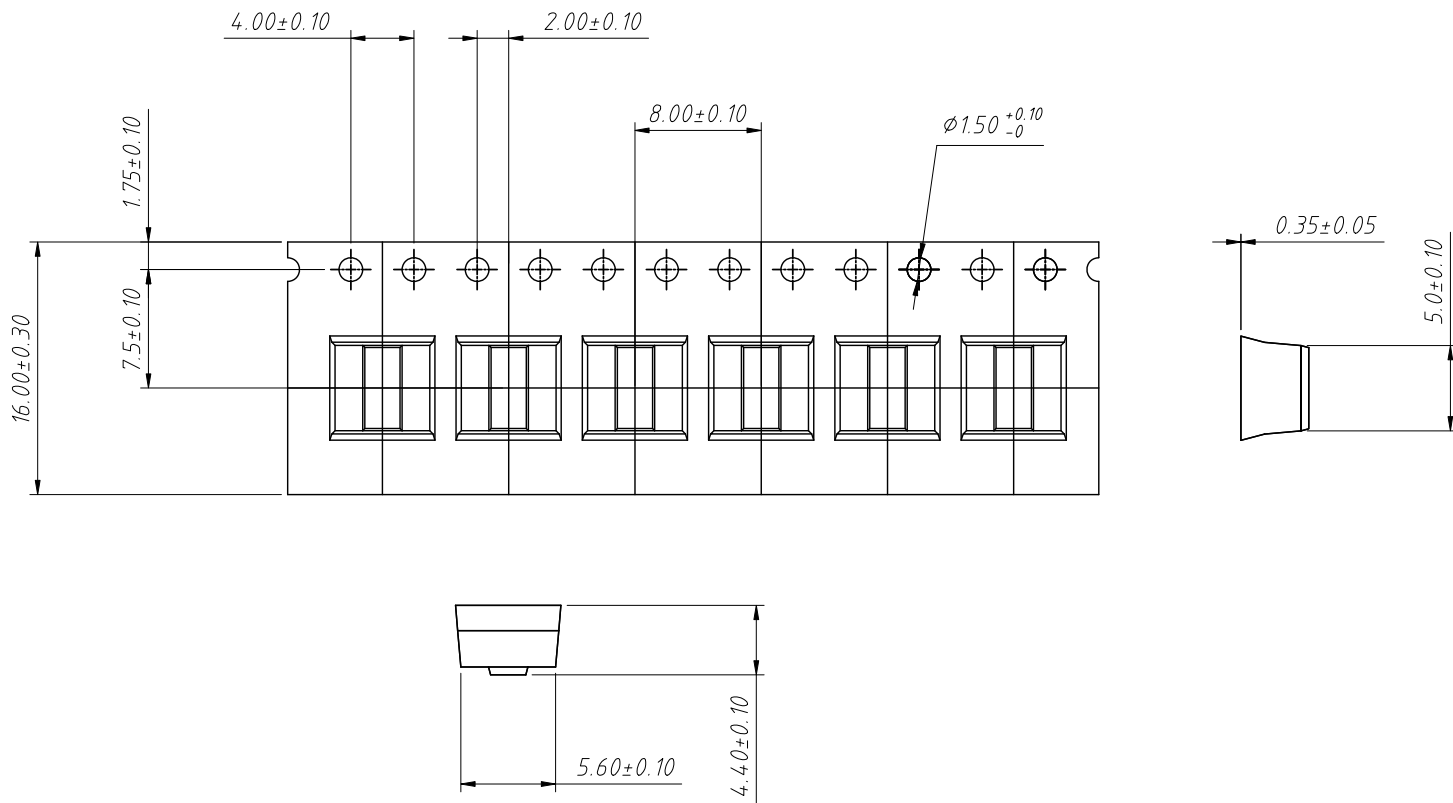
Order Information



Circuit Diagram

GENERAL TOLERANCE	PROJECTION		Description:
X. ± 0.50	UNITS	mm	Detector Switch
.X ± 0.25	SCALE		
.XX ± 0.10	Draw by:	Jenny	KLS P/N: L-KLS7-ID-1121R
ANGLE TOLERANCE	Check by:		NingBo KLS ELECTRONIC CO.,L TD.
X. $\pm 5^\circ$	Date	2023-12-13	
.X $\pm 3^\circ$	SHEET	1 OF 1	
.XX $\pm 2^\circ$			

REV	SYM	Revision Record	Appr.	Date
V0	KLS07053	New Version Release	Jenny	2023-12-13



- 1.10 sprocket hole pitch cumulative tolerane±0.2mm.
- 2.Carrier camber not to exceed 1mm in 250mm.
- 3.A0 and B0 measured on a plane 0.3mm above the bottom of the pocket.
- 4.K0 measured from a plane on the inside bottom of the nocket to the too surface of the carrier.
- 5.All dimension meet EIA-481-D repuirements.
- 6.Material:Black Conductive Polystyrene Alloy.
- 7.Packing lenght per 13" reel: Meters.
- 8.Component load per 13" reel: pcs.

GENERAL TOLERANCE	PROJECTION		Description:
X. ±0.50	UNITS	mm	Detector Switch
.X ±0.25	SCALE		
.XX ±0.10	Draw by:	Jenny	KLS P/N: L-KLS7-ID-1121R
ANGLE TOLERANCE	Check by:		NingBo KLS ELECTRONIC CO.,L TD.
X. ±5°	Date	2023-12-13	
.X ±3°	SHEET	1 OF 1	