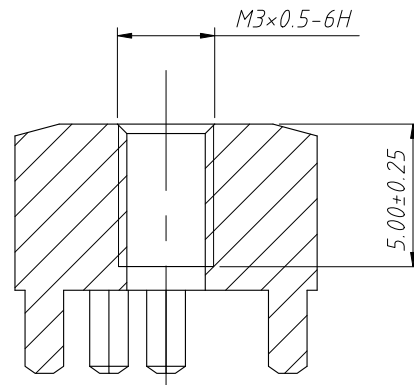
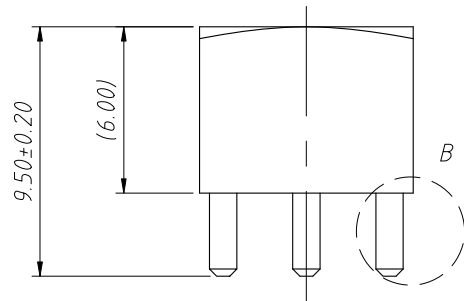
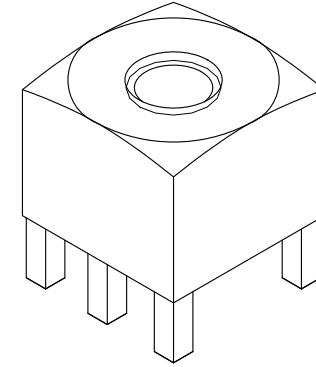
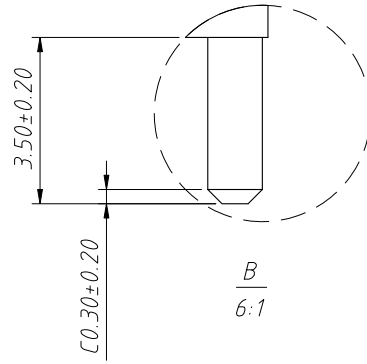
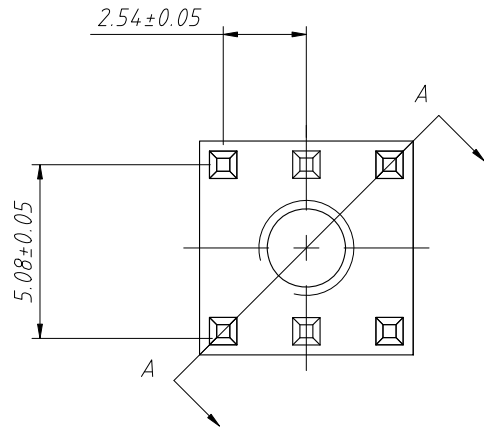


1
RoHS Compliance



Order Information:

L-KLS8-DDK200-03-M3×9.5-7.0

L: RoHS

Product Type

Pins 03

Product size: M3×9.5-7.0

Notes:

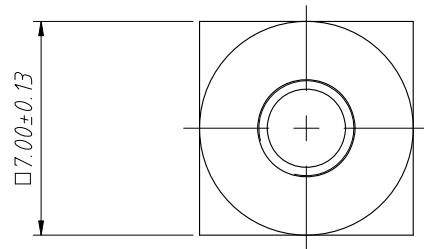
1:Material:Brass C3604, Tin Plated.

2:Packaging:Blister and Carton.

3:Free of burrs and sharp edges.

4:Thread must be checked with Go/No Go Gauge.

5:Unless otherwise specified:±0.12mm and angle ±2°C

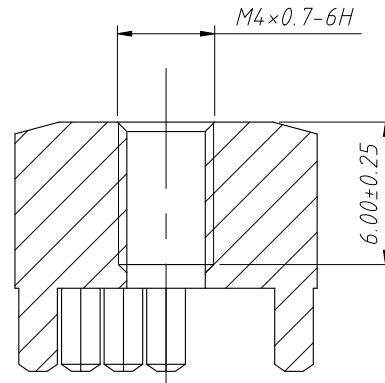
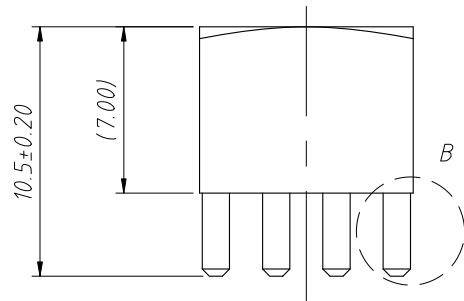
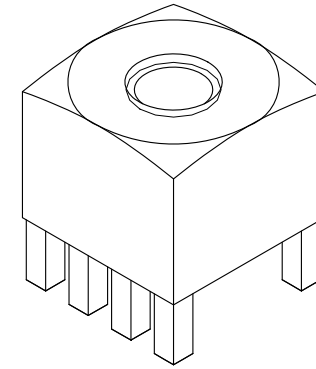
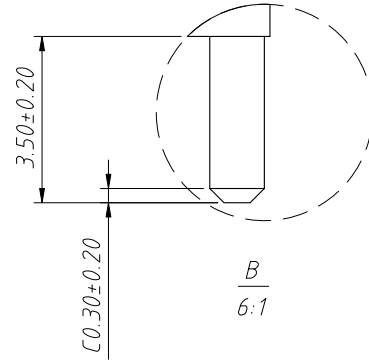
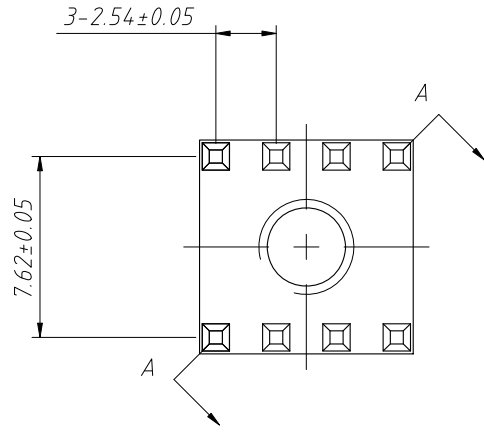


ANGLE TOLERANCE	PROJECTION	Description:	High Current Without Welding Terminal
±3°			
GENERAL TOLERANCE	UNITS	mm	KLS P/N: L-KLS8-DDK200-03-M3×9.5-7.0
x.x ±0.30	SHEET SIZE	A4	3:1
x.xx ±0.20	Draw:	Daniel	2023-02-16
x.xxx ±0.10	Check:	Daniel	2023-02-16

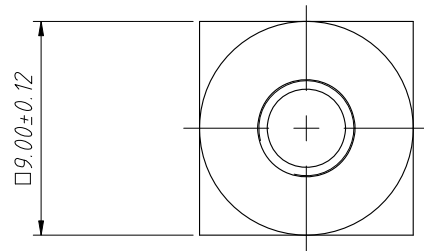


NingBo KLS ELECTRONIC CO.,L TD.

1 RoHS Compliance



A-A



Order Information:

L-KLS8-DDK200-04-M4×10.5-9.0

L: RoHS

Product Type

Pins 04

Product size: M4×10.5-9.0

Notes:

1:Material:Brass C3604, Tin Plated.

2:Packaging:Blister and Carton.

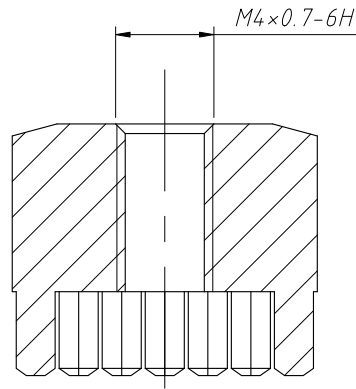
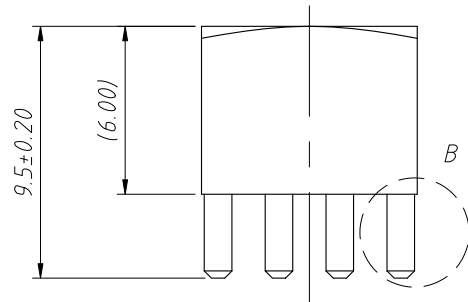
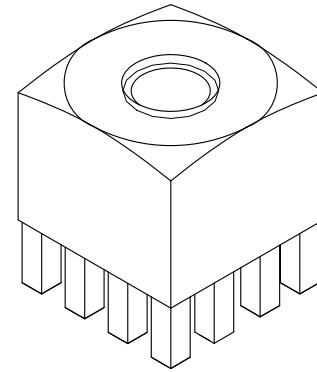
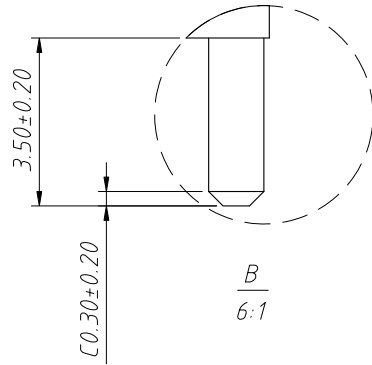
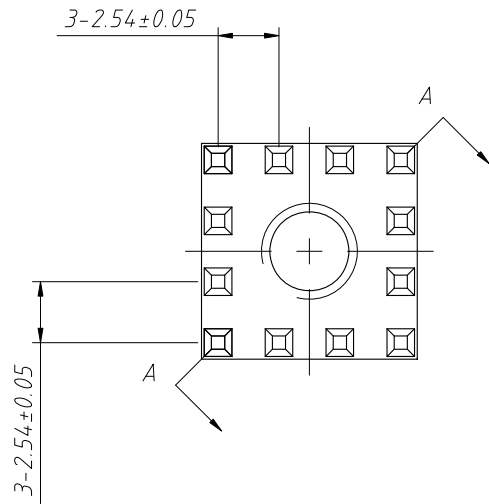
3:Free of burrs and sharp edges.

4:Thread must be checked with Go/No Go Gauge.

5:Unless otherwise specified:±0.12mm and angle ±2°C

ANGLE TOLERANCE	PROJECTION	Description:	High Current Without Welding Terminal	
±3°				
GENERAL TOLERANCE	UNITS	mm	KLS P/N:	L-KLS8-DDK200-04-M4×10.5-9.0
x.x ±0.30	SHEET SIZE	A4	3:1	NingBo KLS ELECTRONIC CO.,L TD.
x.xx ±0.20	Draw:	Daniel	2023-02-16	
x.xxx ±0.10	Check:	Daniel	2023-02-16	

RoHS Compliance



Order Information:

L-KLS8-DDK200-04-M4×9.5-9.0

L: RoHS

Product Type

Pins 04

Product size: M4×9.5-9.0

Notes:

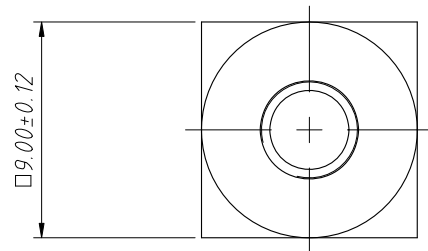
1:Material:Brass C3604, Tin Plated.

2:Packaging:Blister and Carton.

3:Free of burrs and sharp edges.

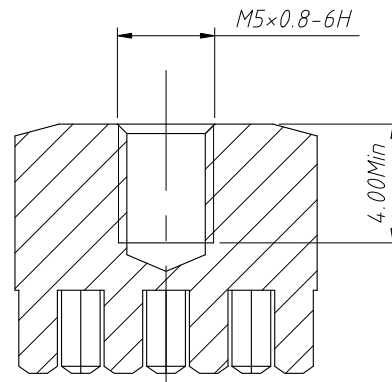
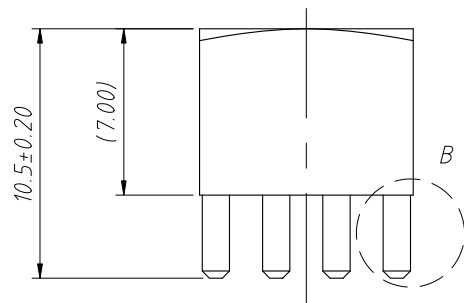
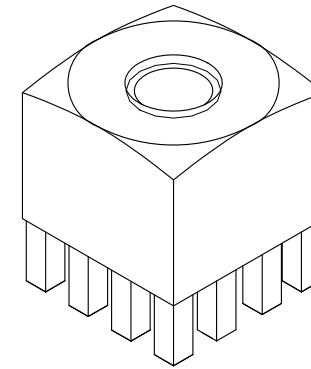
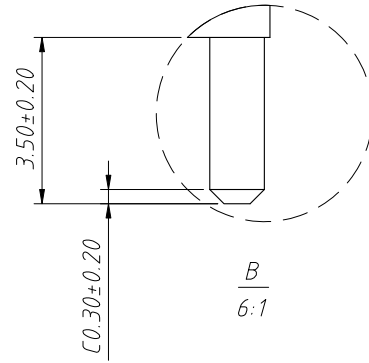
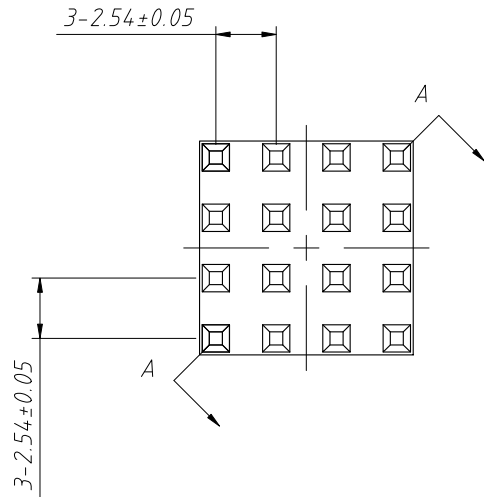
4:Thread must be checked with Go/No Go Gauge.

5:Unless otherwise specified:±0.12mm and angle ±2°C



ANGLE TOLERANCE	PROJECTION	Description:		
±3°			High Current Without Welding Terminal	
GENERAL TOLERANCE	UNITS	mm	KLS P/N:	L-KLS8-DDK200-04-M4×9.5-9.0
x.x ±0.30	SHEET SIZE	A4	3:1	NingBo KLS ELECTRONIC CO.,L TD.
x.xx ±0.20	Draw:	Daniel	2023-02-16	
x.xxx ±0.10	Check:	Daniel	2023-02-16	

1
RoHS Compliance



Order Information:

L-KLS8-DDK200-04-M5×10.5-9.0(4.00)

L: RoHS

Product Type

Pins 04

Product size: M5×10.5-9.0(4.00)

Notes:

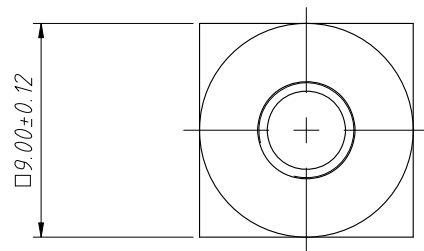
1:Material:Brass C3604, Tin Plated.

2:Packaging:Blister and Carton.

3:Free of burrs and sharp edges.

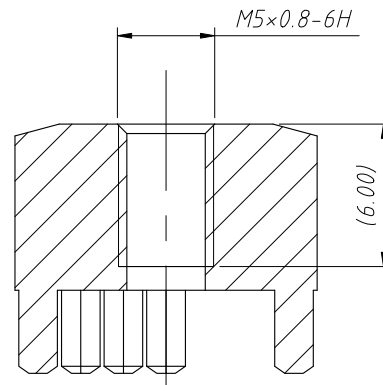
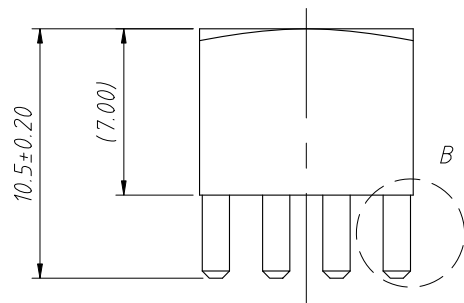
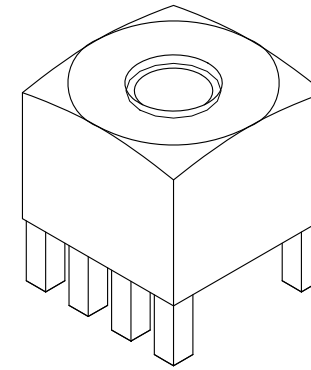
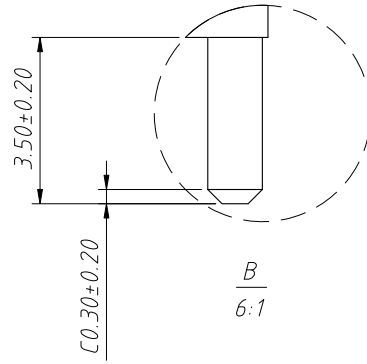
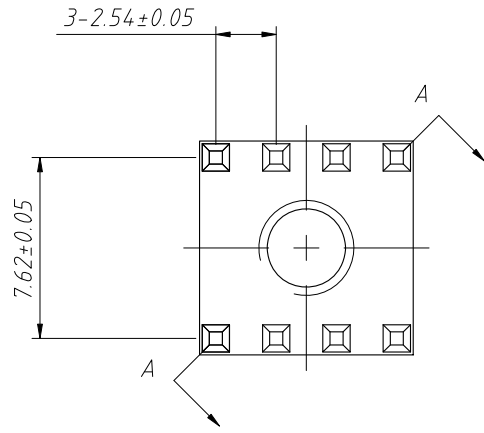
4:Thread must be checked with Go/No Go Gauge.

5:Unless otherwise specified:±0.12mm and angle ±2°C



ANGLE TOLERANCE	PROJECTION	Description:	High Current Without Welding Terminal	
±3°				
GENERAL TOLERANCE	UNITS	mm	KLS P/N:	L-KLS8-DDK200-04-M5×10.5-9.0(4.00)
x.x ±0.30	SHEET SIZE	A4	3:1	NingBo KLS ELECTRONIC CO.,L TD.
x.xx ±0.20	Draw:	Daniel	2023-02-16	
x.xxx ±0.10	Check:	Daniel	2023-02-16	

1
RoHS Compliance



Order Information:

L-KLS8-DDK200-04-M5×10.5-9.0(6.00)

L: RoHS

Product Type

Pins 04

Product size: M5×10.5-9.0(6.00)

Notes:

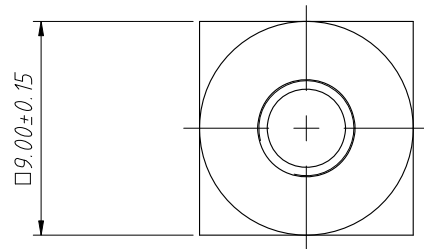
1:Material:Brass C3604, Tin Plated.

2:Packaging:Blister and Carton.

3:Free of burrs and sharp edges.

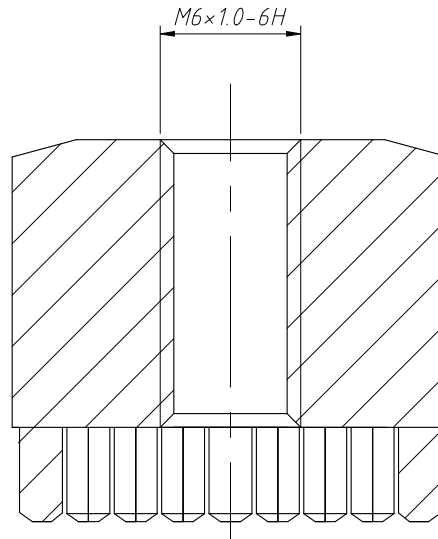
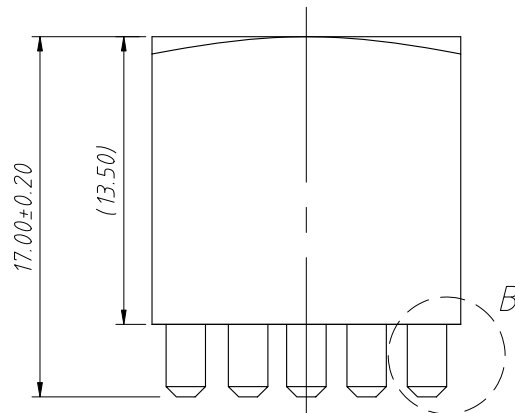
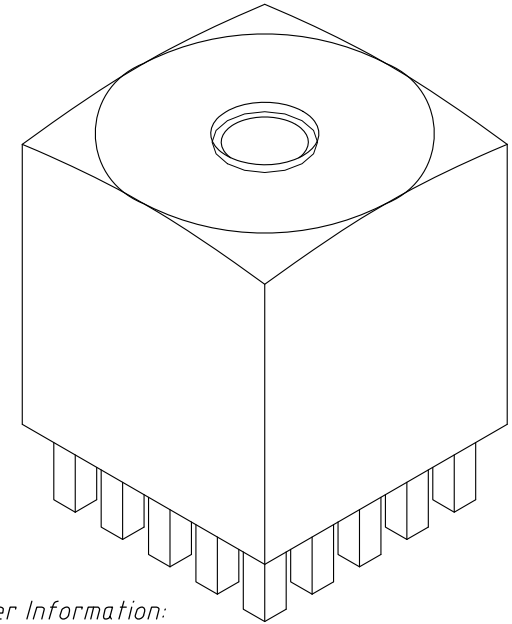
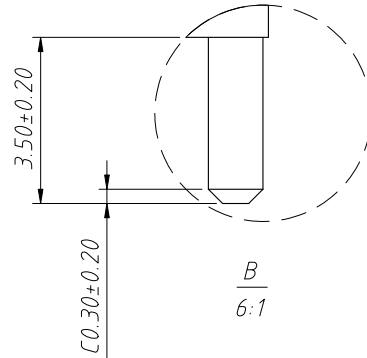
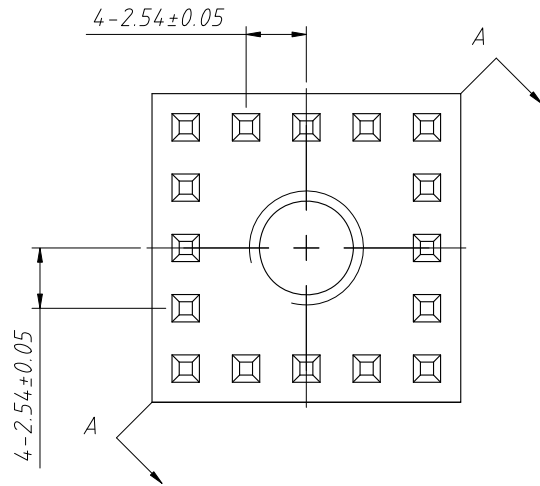
4:Thread must be checked with Go/No Go Gauge.

5:Unless otherwise specified:±0.15mm and angle ±3°



ANGLE TOLERANCE	PROJECTION	Description:	High Current Without Welding Terminal	
±3°				
GENERAL TOLERANCE	UNITS	mm	KLS P/N:	L-KLS8-DDK200-04-M5×10.5-9.0(6.00)
x.x ±0.30	SHEET SIZE	A4	3:1	NingBo KLS ELECTRONIC CO.,L TD.
x.xx ±0.20	Draw:	Daniel	2023-02-16	
x.xxx ±0.10	Check:	Daniel	2023-02-16	

1
RoHS Compliance



Order Information:

L-KLS8-DDK200-05-M6x17.0-13.0

L: RoHS

Product Type

Pins 05

Product size: M6x17.0-13.0

Notes:

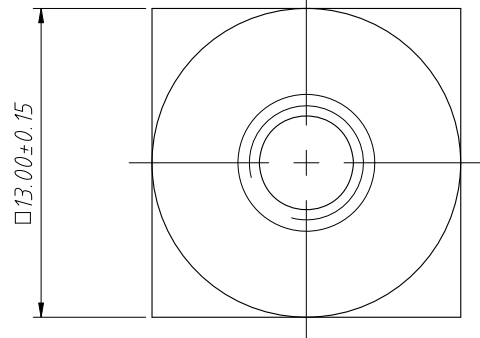
1:Material:Brass C3604, Tin Plated.

2:Packaging:Blister and Carton.

3:Free of burrs and sharp edges.

4:Thread must be checked with Go/No Go Gauge.

5:Unless otherwise specified:±0.12mm and angle ±2°C

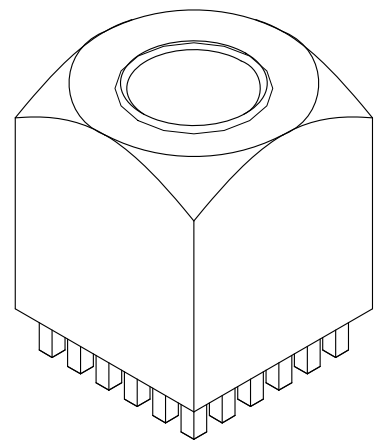
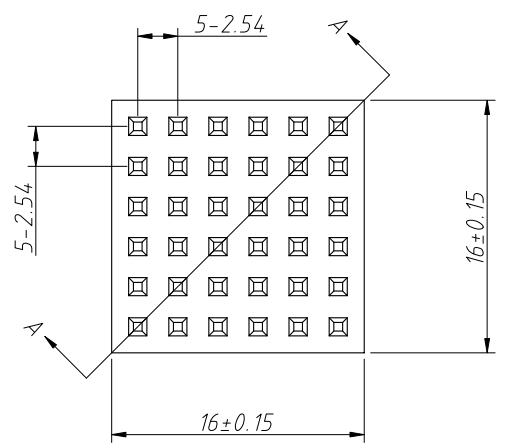


A-A

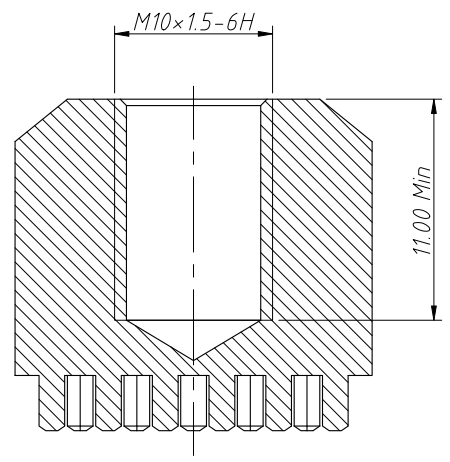
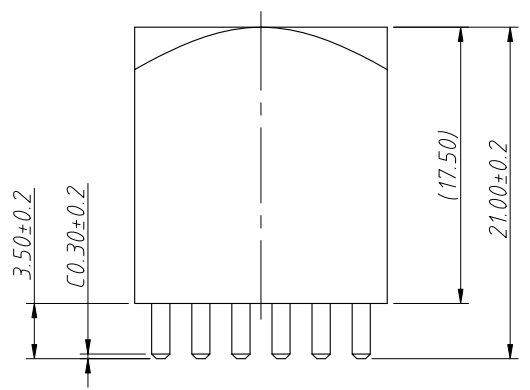
ANGLE TOLERANCE	PROJECTION	Description:		
±3°		High Current Without Welding Terminal		
GENERAL TOLERANCE	UNITS	mm	KLS P/N:	L-KLS8-DDK200-05-M6x17.0-13.0
x.x ±0.30	SHEET SIZE	A4	3:1	NingBo KLS ELECTRONIC CO.,L TD.
x.xx ±0.20	Draw:	Daniel	2023-02-16	
x.xxx ±0.10	Check:	Daniel	2023-02-16	

1
RoHS Compliance

6		7		8	
REV	SYM	Revision Record		Appr.	Date
V0	KLS08215	New Version Release		Song	2023-12-04

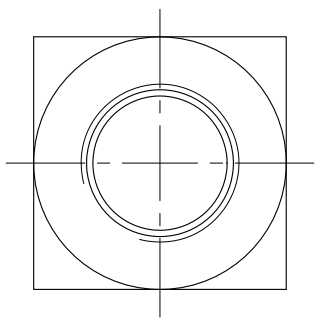


- Notes:
- 1:Material:Brass C3604, Tin Plated.
 - 2:Packaging:Blister and Carton.
 - 3:Free of burrs and sharp edges.
 - 4:Thread must be checked with Go/No Go Gauge.
 - 5:Unless otherwise specified:±0.12mm and angle ±2°C



Order Information:
 L-KLS8-DDK200-06-M10x21.0-16.0

L: RoHS
 Product Type
 Pins 06
 Product size:M10x21.0-16.0



SECTION A-A

ANGLE TOLERANCE	PROJECTION	Description:			
±3°		High Current Without Welding Terminal			
GENERAL TOLERANCE	UNITS	mm	KLS P/N:	L-KLS8-DDK200-06-M10X21.0-16.0	
x.x ±0.30	SHEET SIZE	A4		NingBo KLS ELECTRONIC CO.,L TD.	
x.xx ±0.20	Draw:	Song	2023-12-04		
x.xxx ±0.10	Check:	Daniel	2023-12-04		