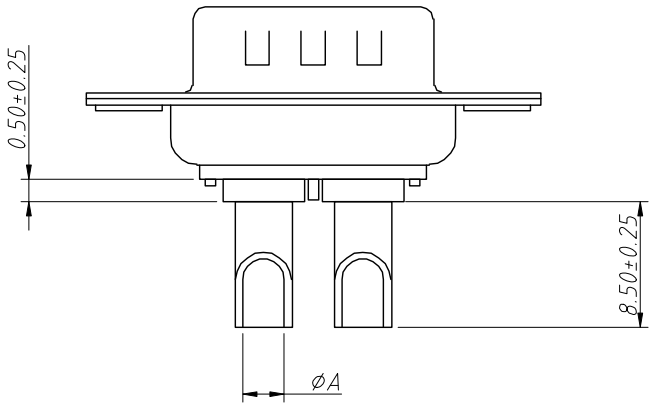
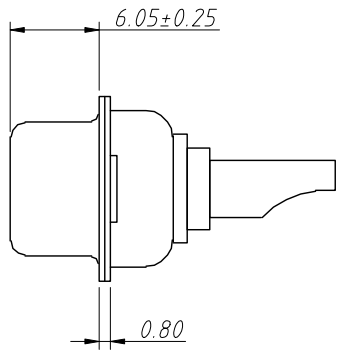
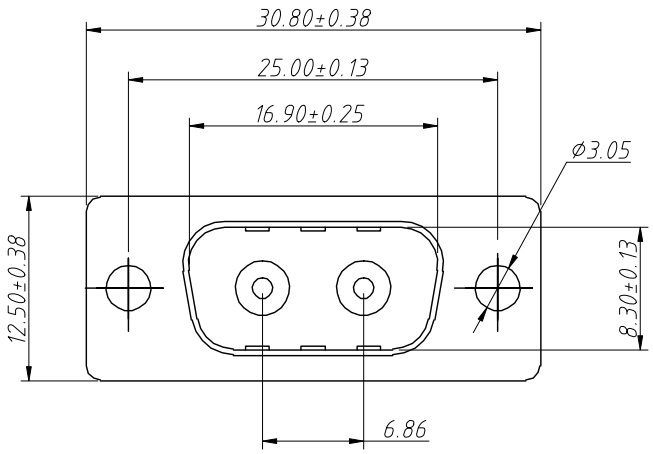


1
RoHS Compliance

REV	SYM	Revision Record	Appr.	Date
V0	KLS01321	New Version Release	Song	2023-11-24



Notes:

1.Material:

Shell:Steel,Front Shell Nickel Plated,
Back Shell Tin Plated

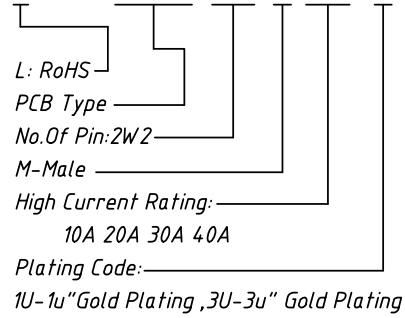
Insulator:PBT Thermoplastic 30% Glass Filled,UL 94 V-0
Contact:Brass,Full Gold Flash

2.Electric:

Contact Terminal Rating:10/20/30/40 AMPS
Contact Resistance:2.7 MILLIOHMS Max
Dielectric Withstanding Voltage:1000 V AC Min
Insulation Resistance:5000 MEGAOHMS Min
Temperature Rating :-55°C ~ +125°C

Order Information:

L-KLS1-BIG02- 2W2-M-40A-1U



Current Rating	Dimension
	φA
40 AMPS	φ4.7
30 AMPS	φ3.2
20 AMPS	φ2.8
10 AMPS	φ1.7

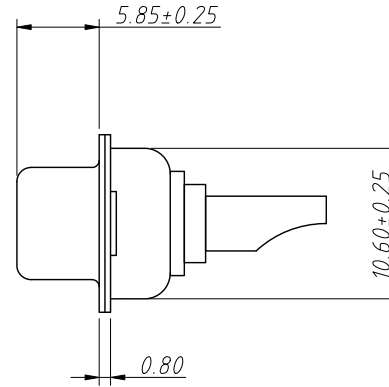
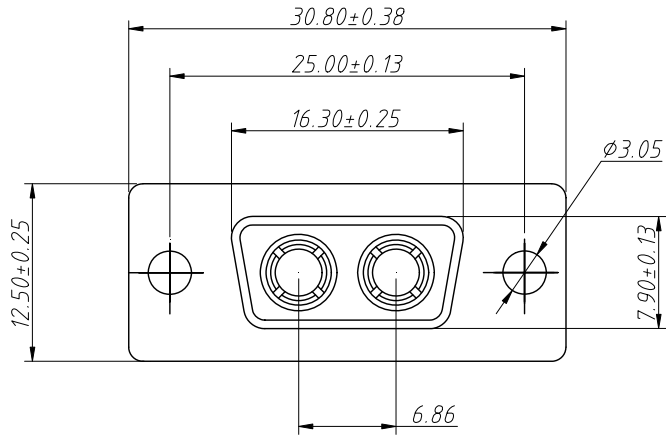
ANGLE TOLERANCE	PROJECTION	Description:
±3°		2W2 High Current D-SUB PCB Male
GENERAL TOLERANCE	UNITS	mm
x.x ±0.30	SHEET SIZE	A4
x.xx ±0.20	Draw:	Song 2023-11-24
x.xxx ±0.10	Check:	Daniel 2023-11-24



NingBo KLS ELECTRONIC CO.,L TD.

1 RoHS Compliance

REV	SYM	Revision Record	Appr.	Date
V0	KLS01321	New Version Release	Song	2023-11-24



Notes:

1.Material:

Shell:Steel,Front Shell Nickel Plated,
Back Shell Tin Plated

Insulator:PBT Thermoplastic 30% Glass Filled,UL 94V-0

Contact:Brass,Full Gold Flash

2.Electric:

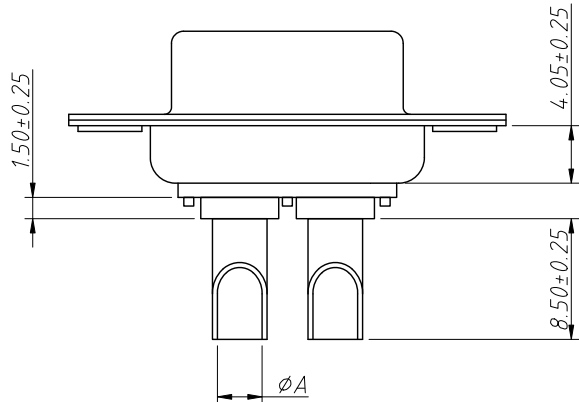
Contact Terminal Rating:10/20/30/40 AMPS

Contact Resistance:2.7 MILLIOHMS Max

Dielectric Withstanding Voltage:1000 V AC Min

Insulation Resistance:5000 MEGAOHMS Min

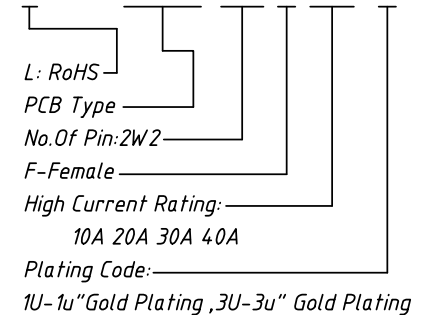
Temperature Rating : -55°C ~ +125°C



Current Rating	Dimension
	φA
40 AMPS	φ3.75
30 AMPS	φ3.2
20 AMPS	φ2.8
10 AMPS	φ1.7

Order Information:

L-KLS1-BIG02- 2W2-F-40A-1U



ANGLE TOLERANCE	PROJECTION	Description:	2W2 High Current D-SUB PCB Female	
±3°				
GENERAL TOLERANCE	UNITS	mm	KLS P/N:	L-KLS1-BIG02-2W2-F-XXA-1U
x.x ±0.30	SHEET SIZE	A4		
x.xx ±0.20	Draw:	Song	2023-11-24	
x.xxx ±0.10	Check:	Daniel	2023-11-24	

KLS NingBo KLS ELECTRONIC CO.,L TD.