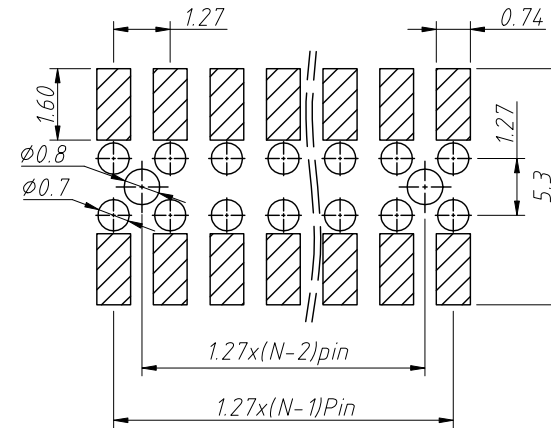
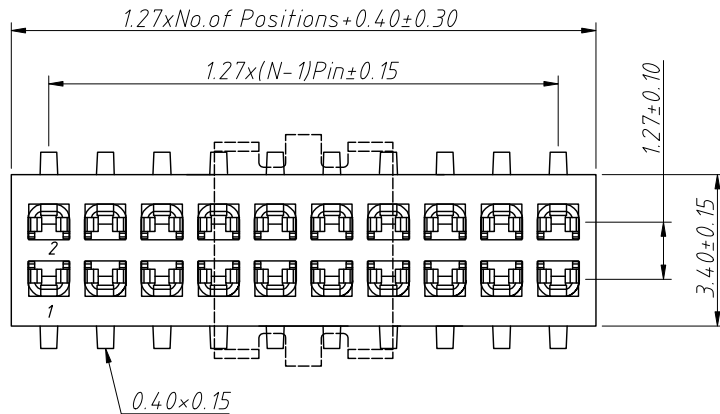
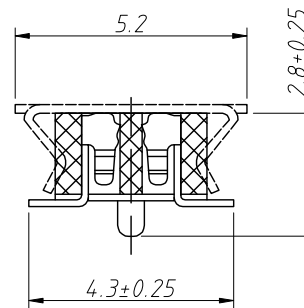
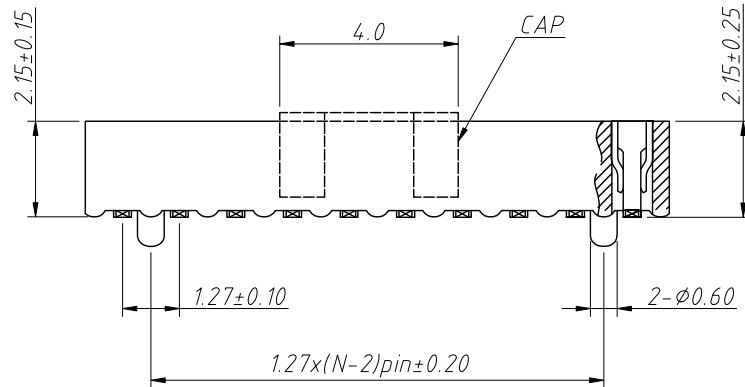


RoHS Compliance

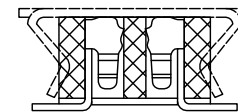
REV	SYM	Revision Record	Appr.	Date
V0	KLS01002	New Version Release	Song	2023-11-09



Recommended PCB Layout
Tolerance: ±0.05mm



W = With Post



T = W/O Post

Notes:

1.Material:

Contact: Phosphor Bronze, Au Over Ni
Insulator: Polyester, UL 94V-0
Standard: PA6T

2.Electric:

Rated Current: 1.0AMP Max
Contact Resistance: 20mΩ Max
Withstand Voltage: 500V AC/DC
Insulation Resistance: 1000MΩ Min
Operation Temperature: -40°C ~ +105°C
Resistance To Soldering Heat:
230°C±5°C for 30-60 seconds
260°C±5°C for 10 seconds

Order Information

L-KLS1-208C-2.15-2-30-T-2.15x4.3-B-T

RoHS
Box Header Series
208BG: 2.00mm Pitch
Plastics Height: 6.35mm
Per Row: Double Layer
No. Of Pins
SMT: T=Withuot Post
Size: 2.15x4.3
Material: A=PBT B=PA6T C=LCP
Packing:
A=Tray P=Tube+Cap T=Tube M=Reel+Mylar R=Reel+Cap

ANGLE TOLERANCE	PROJECTION	Description:	1.27mm Pitch Female Header Connector H 2.15mm	
±3°				
GENERAL TOLERANCE	UNITS	mm	KLS P/N:	L-KLS1-208C-2.15-2-XX-T-2.15X4.3-B-T
x.x ±0.30	SHEET SIZE	A4		
x.xx ±0.20	Draw:	Song	2023-11-09	
x.xxx ±0.10	Check:	Daniel	2023-11-09	

NingBo KLS ELECTRONIC CO.,L TD.