

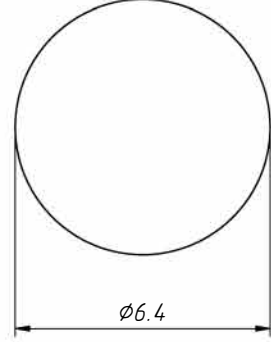
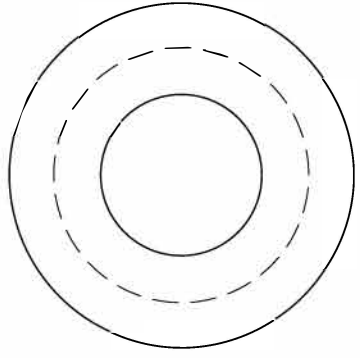
Grommet
 Material : PVC And Rubber
 Color : Black
 Protect power cord and smooth hole.

Item No.	OPEN	A	B	C	D	E	Packing
GM-0603		8.5	6.0	3.0	4.7	1.7	100PCS
GM-0705		10.2	7.2	5.0	4.4	1.7	
GM-1006		13.3	10.0	6.4	6.3	1.7	
GM-1410		19.5	13.9	10.5	6.4	3.4	
GM-2015		23.7	20.1	15.5	6.1	1.7	
GM-2518		29.9	25.1	18.9	7.2	1.5	
GM-3225		38.0	31.7	25.0	7.8	1.5	

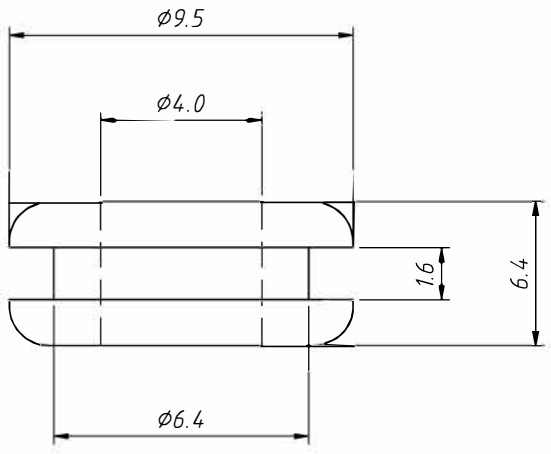
GENERAL TOLERANCE	PROJECTION		Description:
X. ±0.50	UNITS	mm	Grommet
.X ±0.25	SCALE	1:1	
.XX ±0.10	Draw by:	Jenny	KLS P/N: L-KLS8-0513-GM-XX
ANGLE TOLERANCE	Check by:		NingBo KLS ELECTRONIC CO.,L TD.
X. ±5°	Date	2018-03-01	
.X ±3°	SHEET	1 OF 1	
.XX ±2°			

1
RoHS Compliance

6		7		8	
REV	SYM	Revision Record		Appr.	Date
V0	KLS08052	New Version Release		Jenny	2023-07-20



Mounting Holes

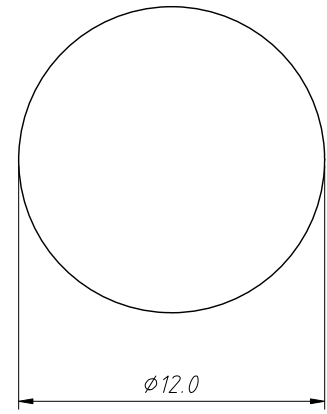
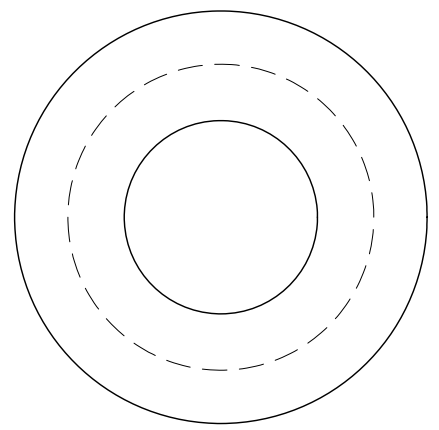


Material:
Housing:Rubber,GM-141A Size Type.Black

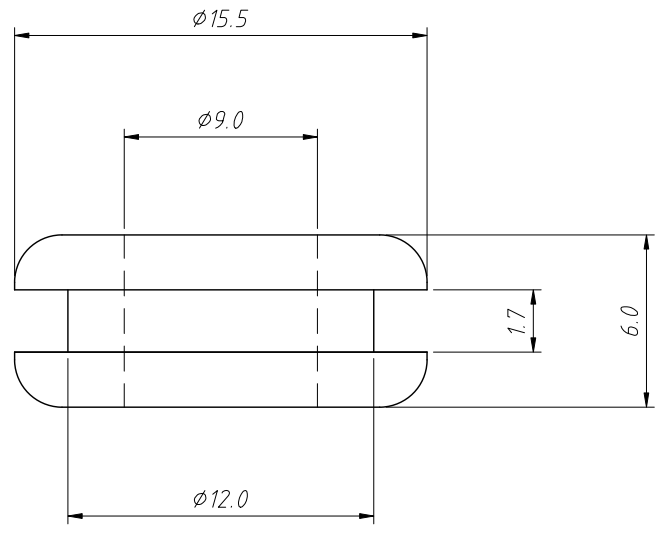
ANGLE TOLERANCE	PROJECTION	Description:			
±3°		Grommet			
GENERAL TOLERANCE	UNITS	mm	KLS P/N:	L-KLS8-0513-GM-141A	
x.x ±0.30	SHEET SIZE	A4			
x.xx ±0.20	Draw:	Jenny	2023-07-20	NingBo KLS ELECTRONIC CO.,L TD.	
x.xxx ±0.10	Check:	Daniel	2023-07-20		

1
RoHS Compliance

6	7	8
REV	SYM	Revision Record
V0	KLS08052	New Version Release
		Appr.
		Jenny
		Date
		2023-07-20



Mounting Holes

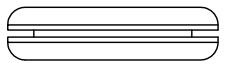
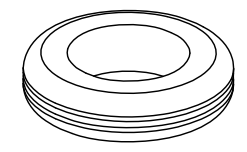
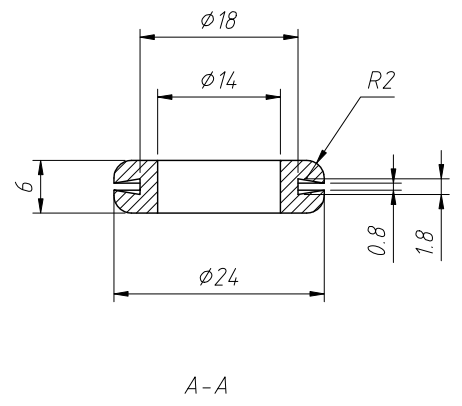
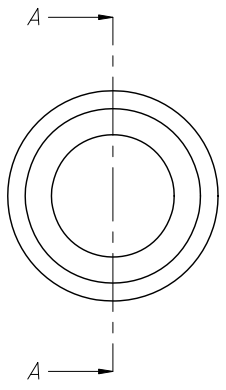


Material:
Housing:Rubber,GM-15129 Size Type.Black

ANGLE TOLERANCE	PROJECTION	Description:	Grommet	
±3°				
GENERAL TOLERANCE	UNITS	mm	KLS P/N:	L-KLS8-0513-GM-15129
x.x ±0.30	SHEET SIZE	A4		
x.xx ±0.20	Draw:	Jenny	2023-07-20	NingBo KLS ELECTRONIC CO.,L TD.
x.xxx ±0.10	Check:	Daniel	2023-07-20	

1
RoHS Compliance

6		7		8	
REV	SYM	Revision Record		Appr.	Date
V0	KLS08267	New Version Release		Jenny	2023-10-30



Grommet
 Material : Rubber
 Color : Black
 Packing : 1000PCS/Bag
 Unless Otherwise Specified Tolerance:±0.4

ANGLE TOLERANCE	PROJECTION	Description:			
±3°		Grommet Rubber Black			
GENERAL TOLERANCE	UNITS	mm	KLS P/N:		
x.x ±0.30	SHEET SIZE	A4	L-KLS8-0513-GM-1814		
x.xx ±0.20	Draw:	Jenny	2023-10-30	NingBo KLS ELECTRONIC CO.,L TD.	
x.xxx ±0.10	Check:	Daniel	2023-10-30		