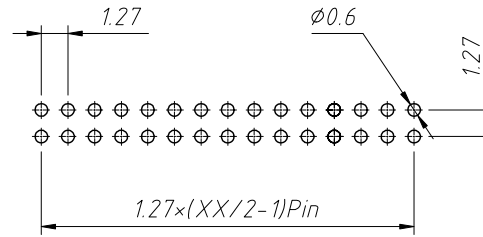
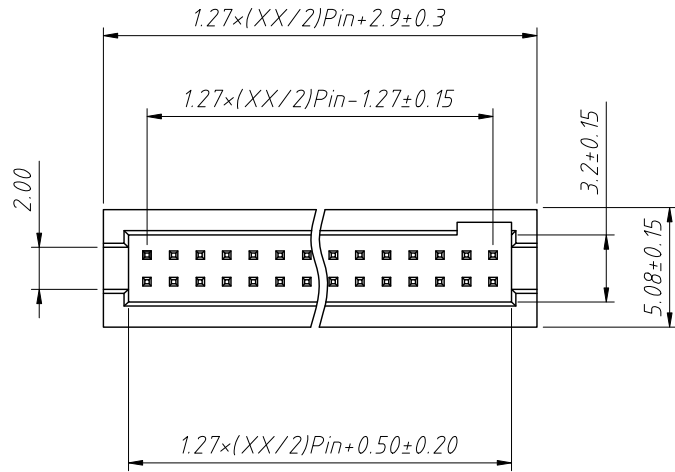


1 RoHS Compliance

7		8		
REV	SYM	Revision Record	Appr.	Date
V0	KLS01002	New Version Release	Jenny	2023-10-19

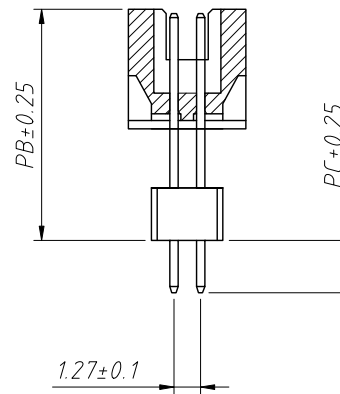
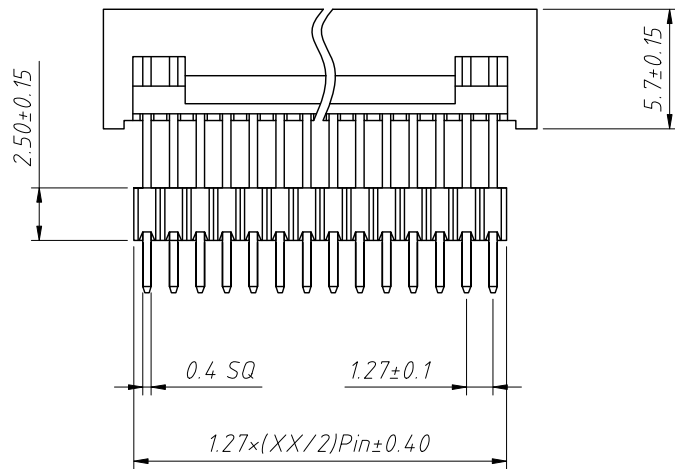


Recommended P.C.B Layout (Top Side)
(PCB BOARD TOLERANCE±0.05)

Material:
Housing: PA6T or LCP or PA9T, UL94V-0
Contact: Brass, Au or Sn over Ni

Electrical Characteristics:
Rated Current: 1.0AMP
Contact Resistance: 20mΩ Max
Withstand Voltage: 500V AC/DC
Insulator Resistance: 1000MΩ Min

Mechanical
Operating Temperature: -40°C ~ +105°C
Max. Processing Temp:
260°C ±5°C for 10 seconds



Order Information:
L-KLS1-202CC-XX-S-B-PB×PC-□

L: RoHS
Box Header Series
202CC: 1.27mm Pitch
XX-No. of 10 ~ 100 pins
Type: S-Straight pin
T-SMT
Color: B-Black G-Gray
Size: PB×PC
Material: NONE=PA6T
C=LCP D=PA9T

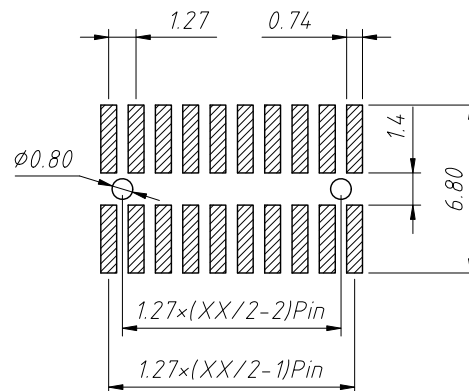
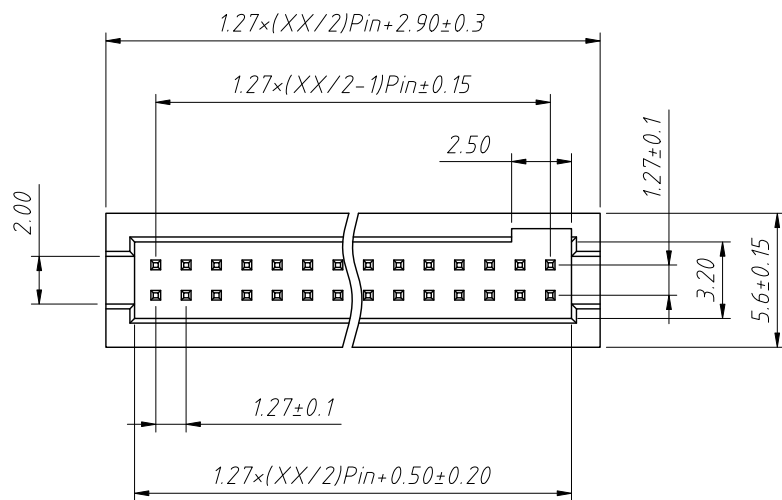
Dimension antitheses list		
ITEM	PC	PB
Standard	2.50	11.00
Alternate	---	---

ANGLE TOLERANCE	PROJECTION	Description:		
±3°		1.27x1.27mm Pitch Box Header Connector		
GENERAL TOLERANCE	UNITS	mm	KLS P/N:	L-KLS1-202CC-XX-S-B-PB×PC-□
x.x ±0.30	SHEET SIZE	A4		
x.xx ±0.20	Draw:	Daniel	2023-10-19	
x.xxx ±0.10	Check:	Daniel	2023-10-19	

NingBo KLS ELECTRONIC CO.,LTD.

RoHS Compliance

REV	SYM	Revision Record	Appr.	Date
V0	KLS01002	New Version Release	Jenny	2023-10-19



Recommended P.C.B Layout (Top Side)
(PCB BOARD TOLERANCE±0.05)

Material:
Housing: PA6T or PA9T or LCP, UL94V-0
Contact: Brass, Au or Sn over Ni

Electrical Characteristics:

Rated Current: 1.0AMP
Contact Resistance: 20mΩ Max
Withstand Voltage: 500V AC/DC
Insulator Resistance: 1000MΩ Min

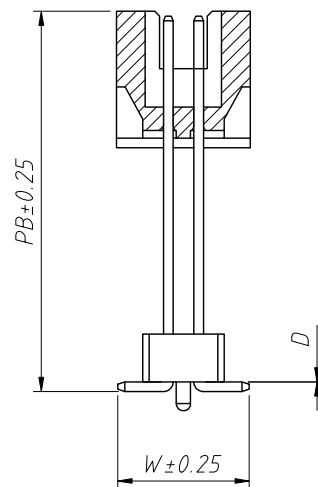
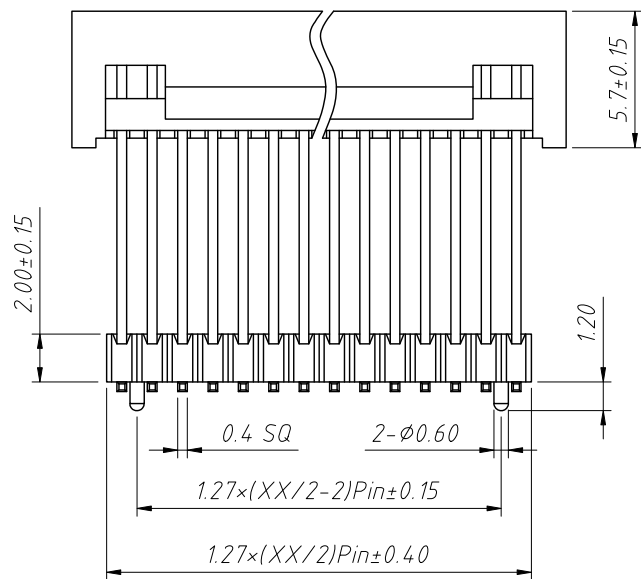
Mechanical

Operating Temperature: -40°C ~ +105°C
Max. Processing Temp:
260°C±5°C for 10 seconds

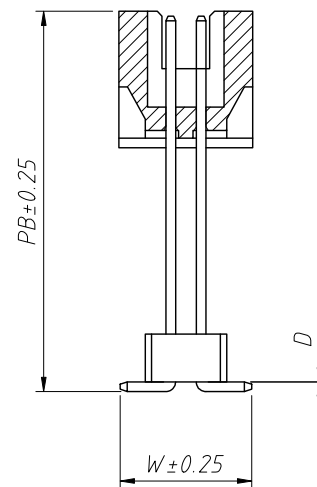
Order Information:

L-KLS1-202CC-XX-T-B-PB×W-□-T

L: RoHS
Box Header Series
202CC: 1.27mm Pitch
XX-No. of 10~100 pins
SMT: T=Without Post
T3=With Post
Color: B-Black G-Gray
Size: PB×W
Material: NONE=PA6T
C=LCP D=PA9T
Packing:
T=Tube P=Tube+Cap R=Reel+Cap



T3=With Post



T=Without Post

Dimension antitheses list			
ITEM	W	PB	D
Standard	5.5	16.50	0
Alternate	---	---	---

ANGLE TOLERANCE	PROJECTION	Description:	
±3°		1.27x1.27mm Pitch Box Header Connector	
GENERAL TOLERANCE	UNITS	mm	KLS P/N:
x.x ±0.30	SHEET SIZE	A4	L-KLS1-202CC-XX-T-B-PB×W-□-T
x.xx ±0.20	Draw:	Daniel	2023-10-19
x.xxx ±0.10	Check:	Daniel	2023-10-19



NingBo KLS ELECTRONIC CO.,L.TD.