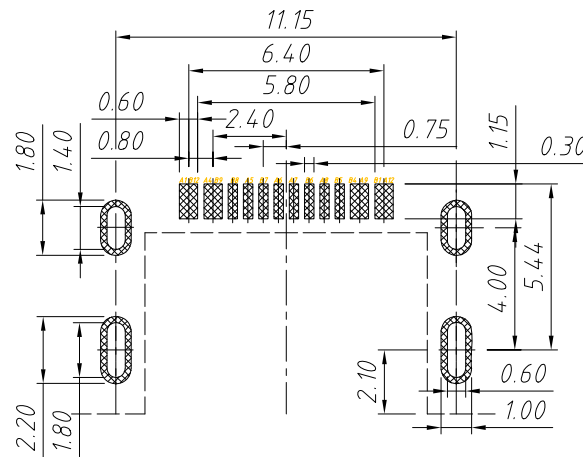
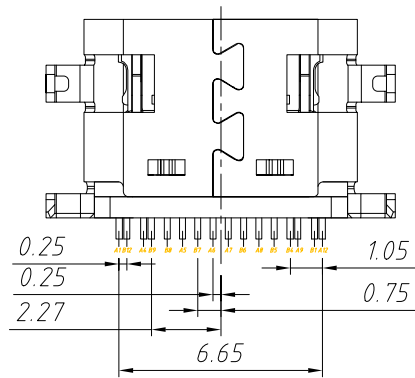
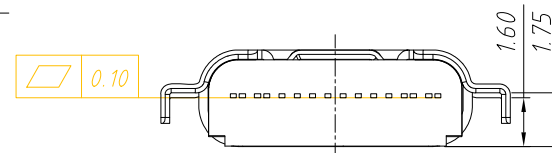
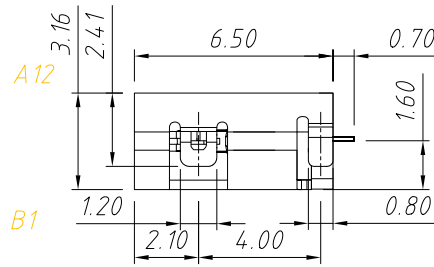
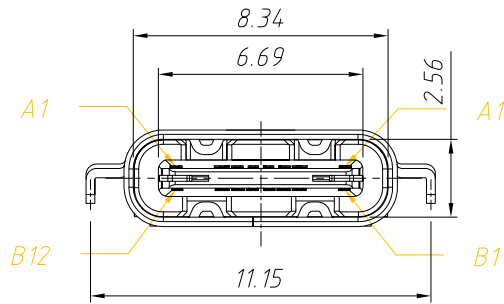
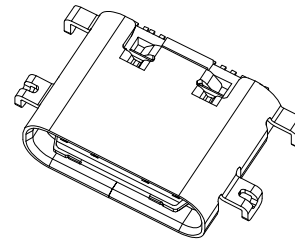
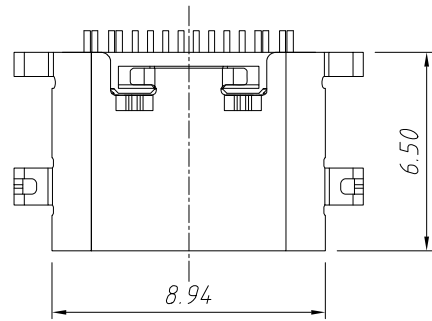


Electrical
 Current Rating: 3.0A Max
 Voltage: 100 VAC
 Contact Resistance: 40mΩ Max
 Insulation Resistance: 100MΩ Min.

Mechanical
 Operating Temperature: -55°C TO +85°C.
 Insertion Force : 2.0kgf MAX.
 Unmating Force: 0.8kgf Min.
 Durability:10000 Cycles



RECOMMENDED PCB LAYOUT
 GENERAL TOLERANCE:±0.05

Pin	Signal Name	Pin	Signal Name
A1	GND	B12	GND
A4	VBUS	B9	VBUS
A5	CC1	B8	SBU2
A6	DP1	B7	DN2
A7	DN1	B6	DP2
A8	SBU1	B5	CC2
A9	VBUS	B4	VBUS
A12	GND	B1	GND

No.	Name	DESCRIPTION
3	Shell	Stainless Steel;
2	Contact	Copper Alloy,Au/Nickel plated
1	Housing	LCP+30% G.F,Black,UL94V-0

TOLERANCE	PROJECTION	UNITS	SHEET	Draw:	Date	Description:
.X ±0.30		mm	A4	Daniel	2018-03-01	USB Type C Female, MID MOUNT 1.6mm,16P SMD R/A
.XX ±0.20						
.XXX ±0.10						
X. ±2°						
.X ±1°						
.XX ±0.5°						
						KLS P/N: KLS1-5463-R
						NingBo KLS ELECTRONIC CO.,LTD.