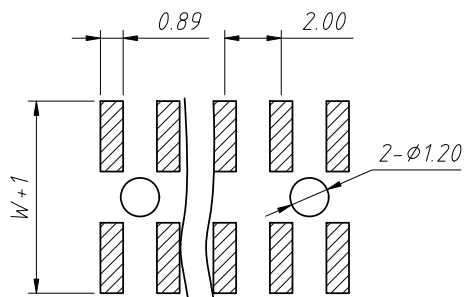
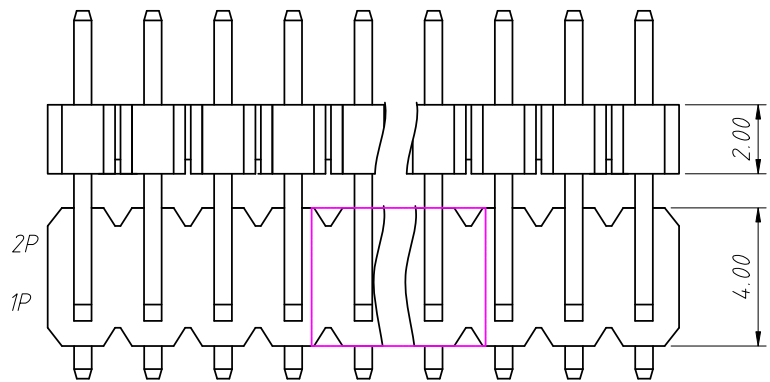


RoHS Compliance

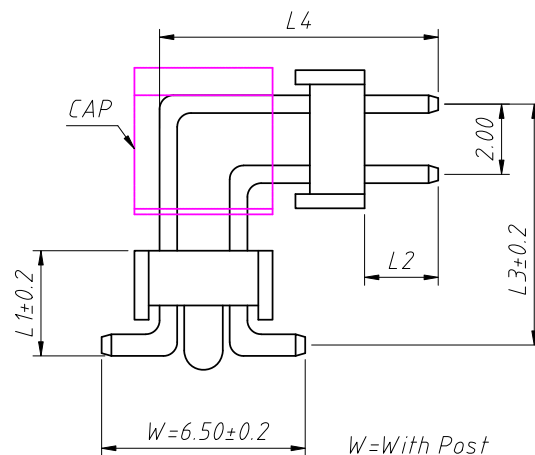
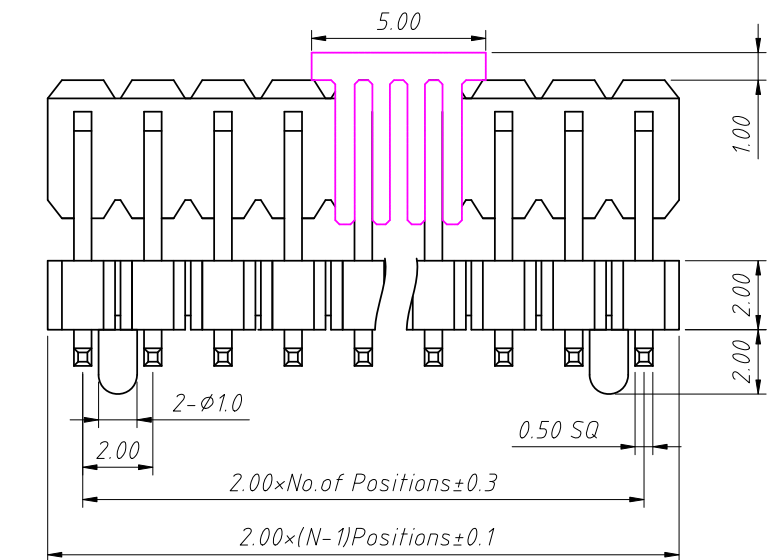


Recommended P.C.B Layout

Material:
 Standard:PA6T
 Contact:Brass
 Insulator:Polyester,UL94V-0

Electrical Characteristics:
 Rated Current: 1.5AMP
 Contact Resistance: 20mΩ Max
 Withstand Voltage: 500V AC/DC
 Insulator Resistance: 1000MΩ Min

Mechanical
 Operating Temperature: -40°C ~ +105°C
 Max.Processing Temp:230 for 30-60 seconds
 (260°C for 5seconds)



Order Information:

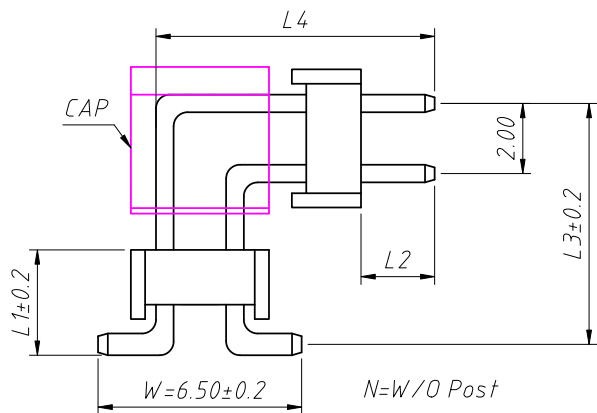
L-KLS1-218BB-2-XX-T3-L1xL2xL3xL4xW-G0-O

L: RoHS
 Pin Header Series
 218BB:2.00mm
 Per Row:Double layer
 Pin: No. of Pins (2x40)
 SMT:T=Without Post,T3=With Post
 Size:L1xL2xL3xL4xW

Plating:
 G0=Gold Flash G1=1u" Gold G10=10u" Gold
 G15=15u" Gold G30=30u" Gold
 Packing: O=PE Bag A=Tray B=Box
 T=Tube P=Tube+Cap R=Reel+Cap

Dimension antitheses list (mm)

ITEM	L1	L2	L3	L4	W	Plastic Height
Standard	---	---	---	---	6.50	2.00
Nonstandard	---	---	---	---	---	---



ANGLE TOLERANCE	PROJECTION	Description:	2.00mm Pin Header	
±3°		Double layer,2xN Pin horizontal SMT		
GENERAL TOLERANCE	UNITS	mm	KLS P/N:	L-KLS1-218BB-2-XX-T3-L1xL2xL3xL4xW-G0-O
x.x ±0.30	SHEET SIZE	A4		
x.xx ±0.20	Draw:	Daniel	2023-09-21	NingBo KLS ELECTRONIC CO.,L TD.
x.xxx ±0.10	Check:	Daniel	2023-09-21	