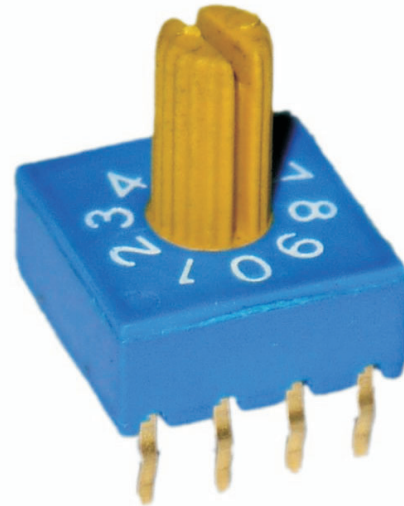


Rotary switches* Coding switches

KLS7-RS41000 Terminal 4x1 type, 10 Postion, BCD Circuit

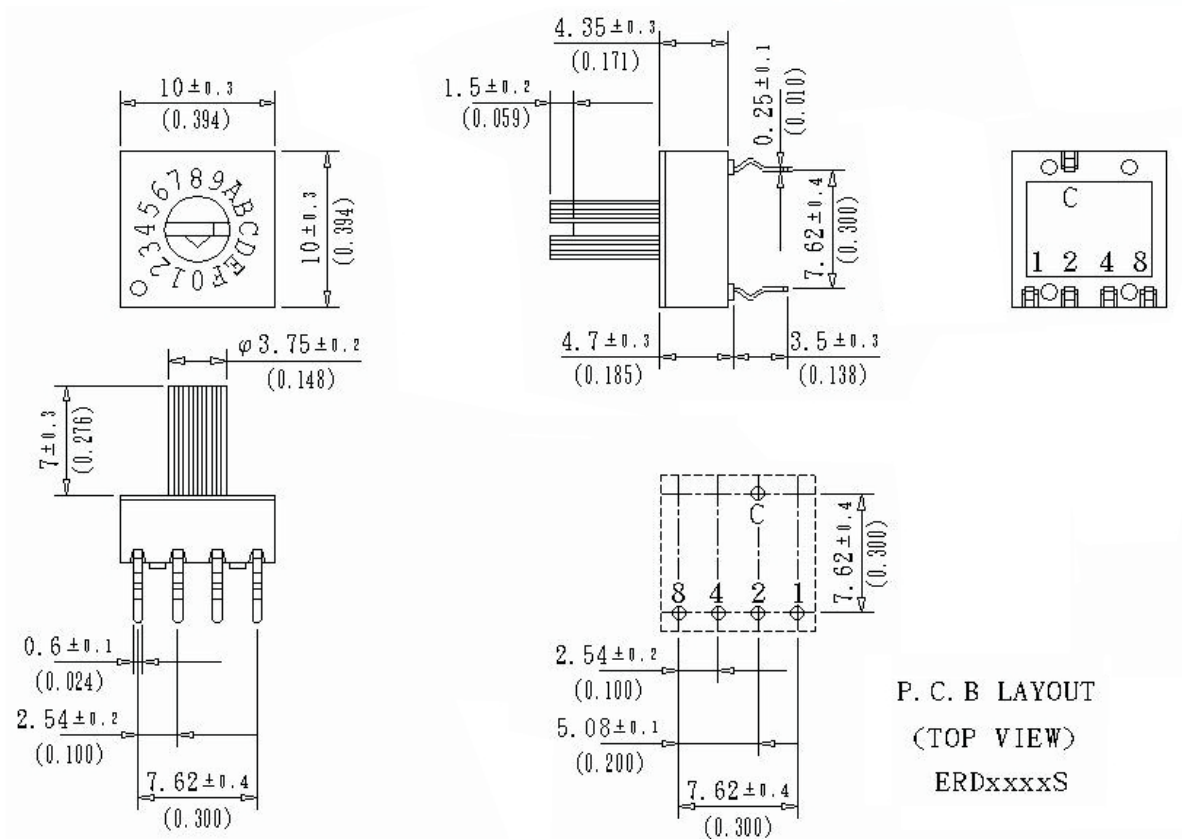
ELECTRICAL:

Switching Rating: 25mA 24V DC
 Non-Switching Rating: 100mA
 Dielectric Strength: AC 250 V 1 Minute
 Insulation Resistance: 1000 MΩ Mim
 Contact Resistance: 100MΩ Max.
 Operation Force: 500gf-cm Max.
 Operating Temperature: -25oC ~ +80 oC
 Electrical Life: 20,000 Cycles
 Vibration: 10Hz-50Hz-10Hz for 6Hrs.

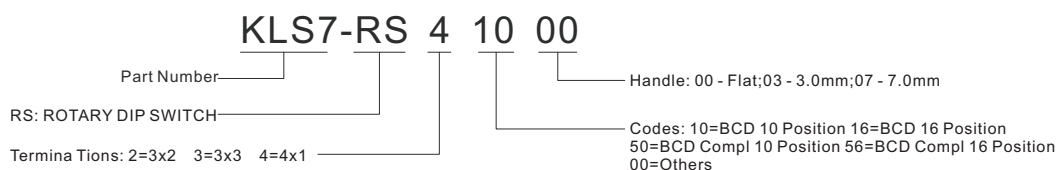


VII

(1) Terminal 4x1 type , 7mm



ORDER INFORMATION



Rotary switches* Coding switches

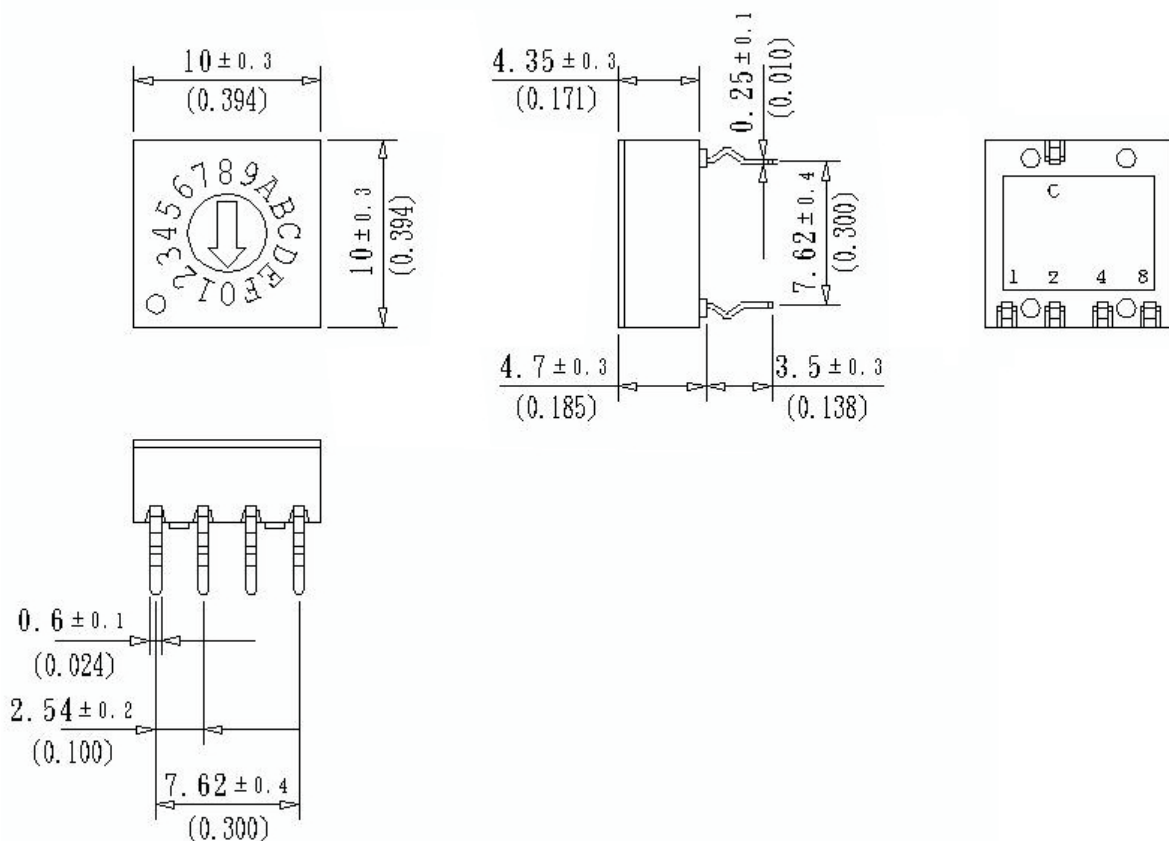
KLS7-RS41000 Terminal 4x1 type, 10 Postion, BCD Circuit

ELECTRICAL:

Switching Rating: 25mA 24V DC
 Non-Switching Rating: 100mA
 Dielectric Strength: AC 250 V 1 Minute
 Insulation Resistance: 1000 MΩ Mim
 Contact Resistance: 100MΩ Max.
 Operation Force: 500gf-cm Max.
 Operating Temperature: -25oC ~ +80 oC
 Electrical Life: 20,000 Cycles
 Vibration: 10Hz-50Hz-10Hz for 6Hrs.



(2) Terminal 4x1 type , 0mm



ORDER INFORMATION

