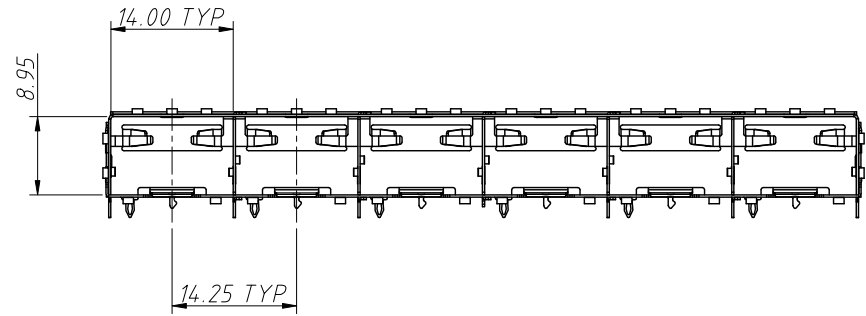
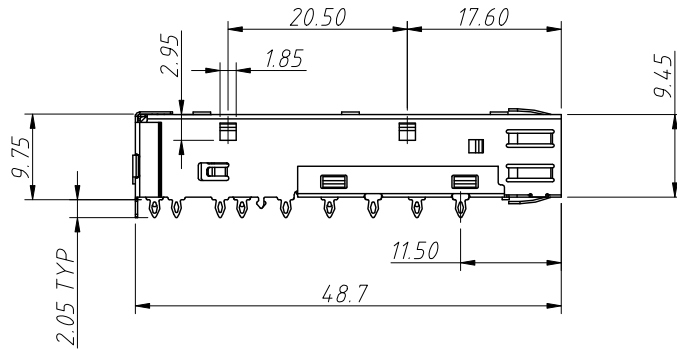
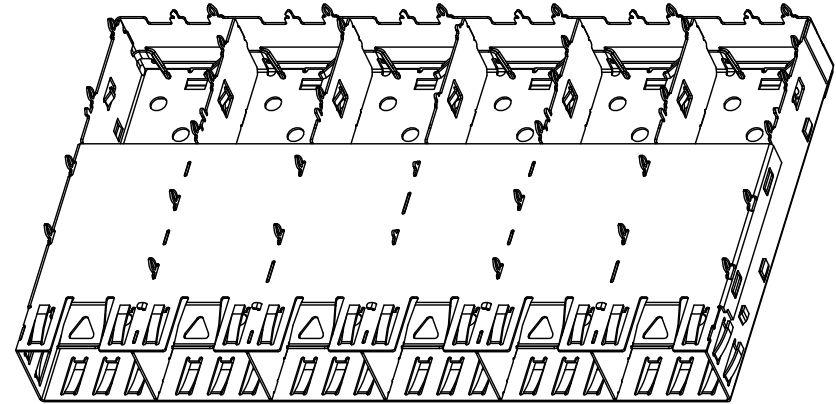
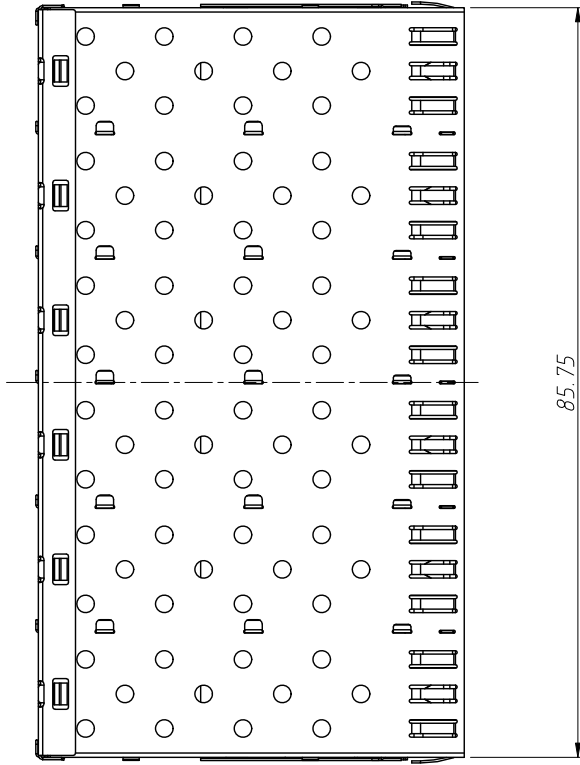


1
RoHS Compliance

6	7	8
REV	SYM	Revision Record
V0	KLS20278	New Version Release
Appr.	Song	Date
		2023-07-20

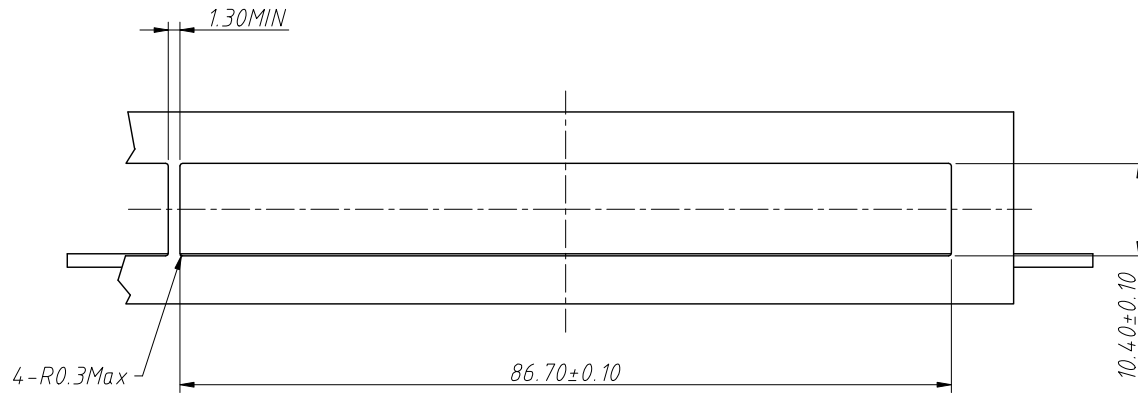
Material:
Shell: Copper Alloy, T=0.25mm



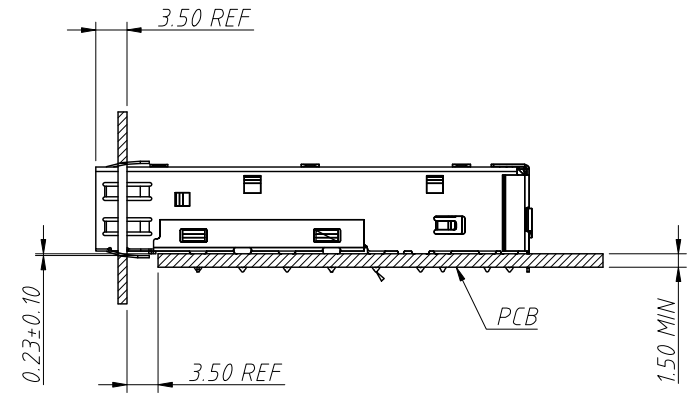
ANGLE TOLERANCE	PROJECTION	Description:		
$\pm 3^\circ$		1x6 SFP Cage Assembly		
GENERAL TOLERANCE	UNITS	mm	KLS P/N:	L-KLS1-SFP-030
x.x ± 0.25	SHEET SIZE	A4	1 OF 4	NingBo KLS ELECTRONIC CO.,LTD.
x.xx ± 0.20	Draw:	Song	2023-07-20	
x.xxx ± 0.15	Check:	Daniel	2023-07-20	

RoHS Compliance

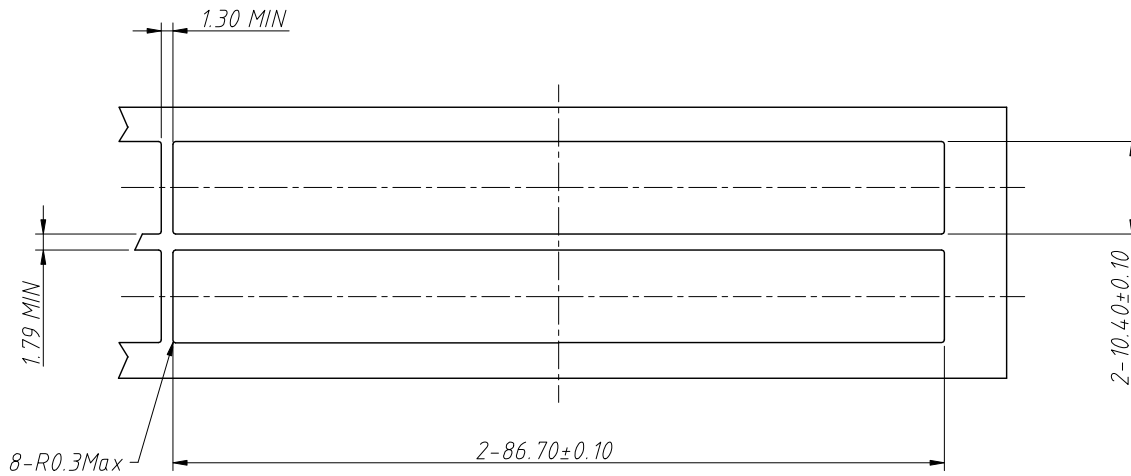
REV	SYM	Revision Record	Appr.	Date
V0	KLS20278	New Version Release	Song	2023-07-20



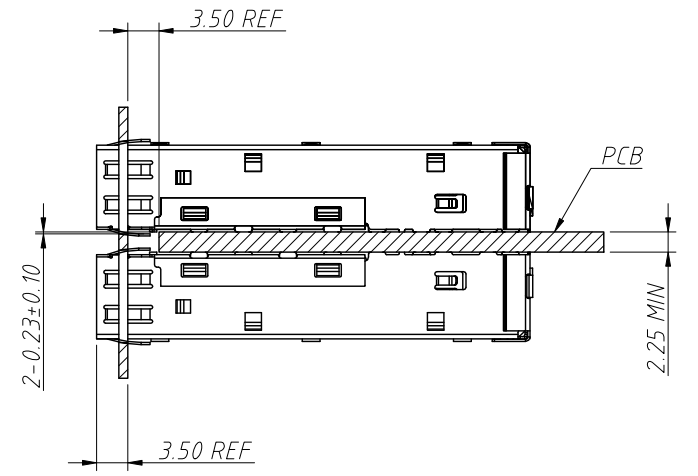
BEZEL
RECOMMENDED PANEL CUTOUT AND P C BOARD
PANEL POSITION AND THICKNESS 0.8-2.6



BEZEL
OPENING BELOW TOP OF PCB
PCB THICKNESS



BEZEL
RECOMMENDED PANEL CUTOUT AND P C BOARD
PANEL POSITION AND THICKNESS 0.8-2.6

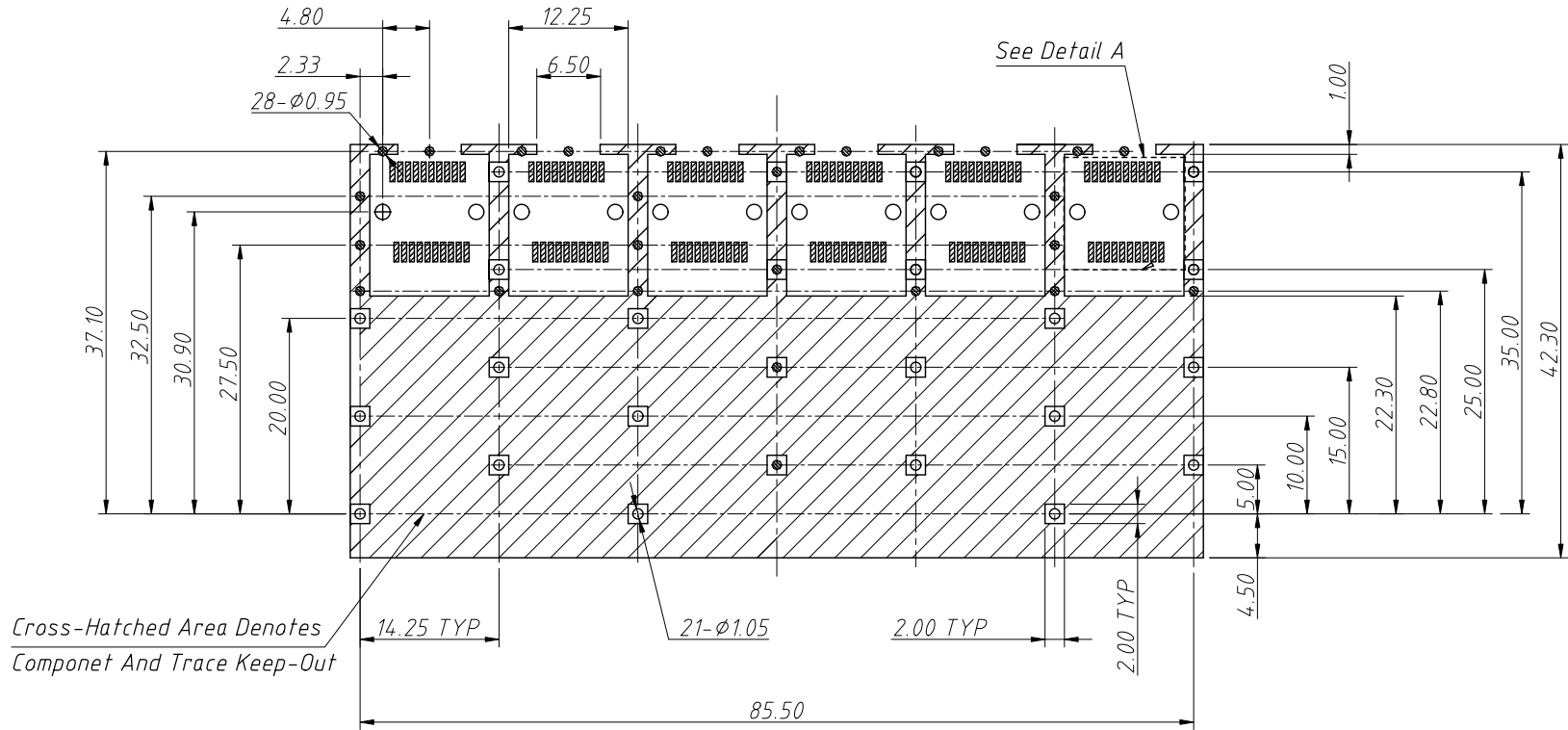


BEZEL
OPENING BELOW TOP OF PCB
PCB THICKNESS

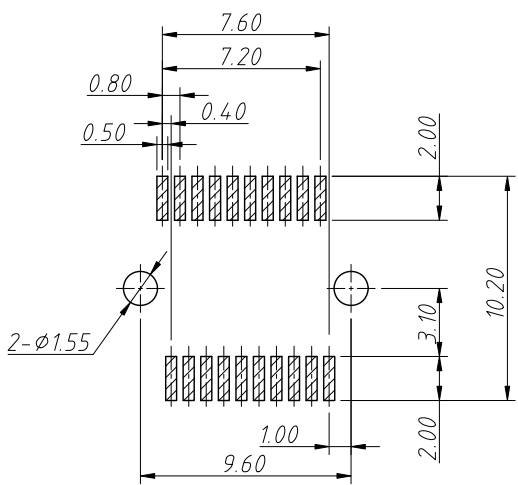
ANGLE TOLERANCE	PROJECTION	Description:	1x6 SFP Cage Assembly	
±3°				
GENERAL TOLERANCE	UNITS	mm	KLS P/N:	L-KLS12-SFP-030
x.x ±0.25	SHEET SIZE	A4	2 OF 4	NingBo KLS ELECTRONIC CO.,L TD.
x.xx ±0.20	Draw:	Song	2023-07-20	
x.xxx ±0.15	Check:	Daniel	2023-07-20	

1 RoHS Compliance

REV	SYM	Revision Record	Appr.	Date
V0	KLS20278	New Version Release	Song	2023-07-20



Cross-Hatched Area Denotes Component And Trace Keep-Out



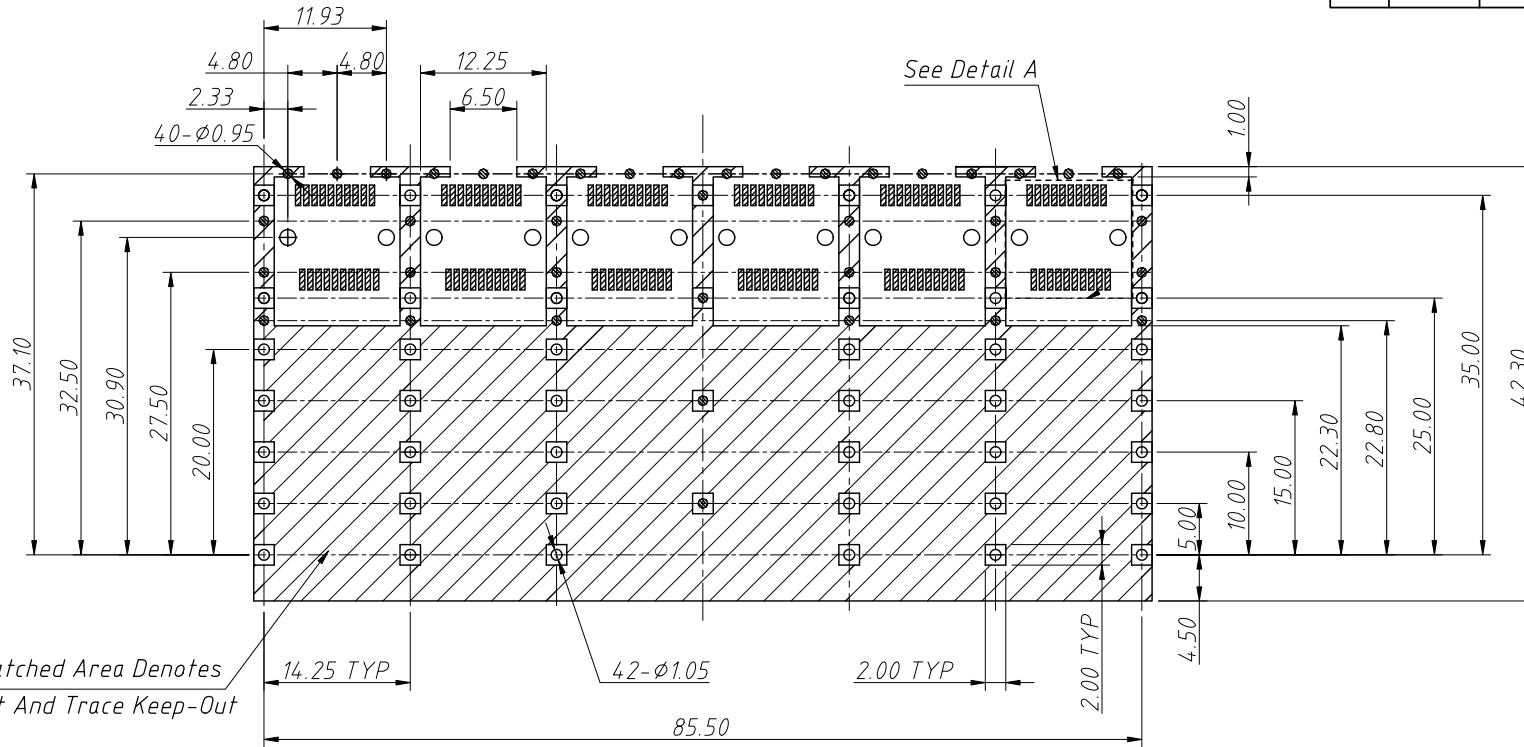
Detail A (Scale 3:1)

Recommended PCB Layout (Component Side)
 Recommended Minimum PCB Thickness: 1.50mm
 (All Tolerances Are ±0.05)
 ☐ ● ● Round Holes Are All Through Holes
 Recommended PCB Configuration With
 Keep-Out Areas Single Sided Applications

ANGLE TOLERANCE	PROJECTION	Description:	1x6 SFP Cage Assembly	
±3°				
GENERAL TOLERANCE	UNITS	mm	KLS P/N:	L-KLS12-SFP-030
x.x ±0.25	SHEET SIZE	A4	3 OF 4	NingBo KLS ELECTRONIC CO.,L.TD.
x.xx ±0.20	Draw:	Song	2023-07-20	
x.xxx ±0.15	Check:	Daniel	2023-07-20	

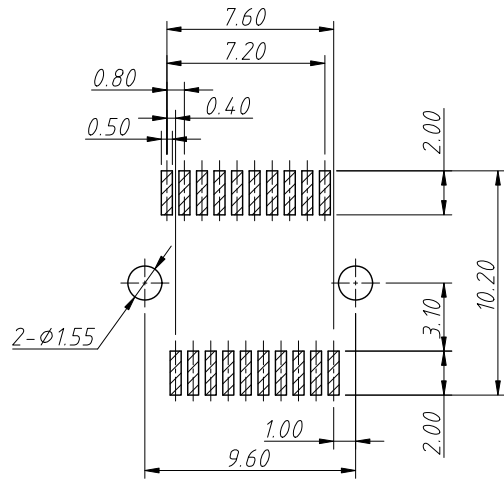
1 RoHS Compliance

REV	SYM	Revision Record	Appr.	Date
V0	KLS20278	New Version Release	Song	2023-07-20



See Detail A

Cross-Hatched Area Denotes Component And Trace Keep-Out



Detail A (Scale 3:1)

Recommended PCB Layout (Component Side)
 Recommended Minimum PCB Thickness: 2.25mm
 (All Tolerances Are ±0.05)
 □ ● Round Holes Are All Through Holes
 Recommended PCB Configuration With
 Keep-Out Areas Single Sided Applications

ANGLE TOLERANCE	PROJECTION	Description:	1x6 SFP Cage Assembly	
±3°				
GENERAL TOLERANCE	UNITS	mm	KLS P/N:	L-KLS12-SFP-030
x.x ±0.25	SHEET SIZE	A4	4 OF 4	
x.xx ±0.20	Draw:	Song	2023-07-20	NingBo KLS ELECTRONIC CO.,LTD.
x.xxx ±0.15	Check:	Daniel	2023-07-20	