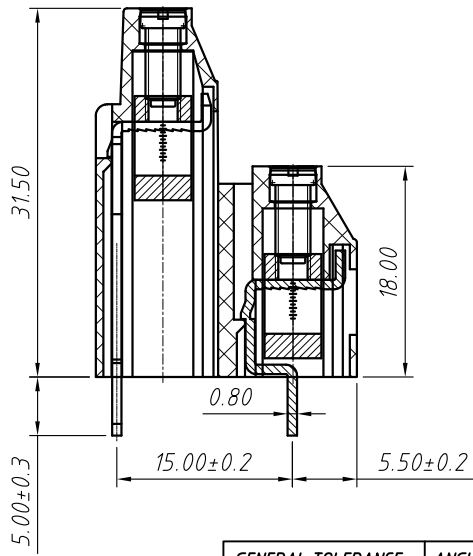
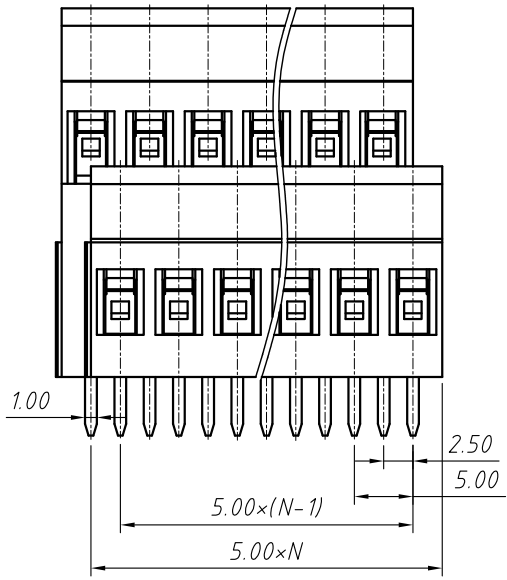


PCB LAYOUT



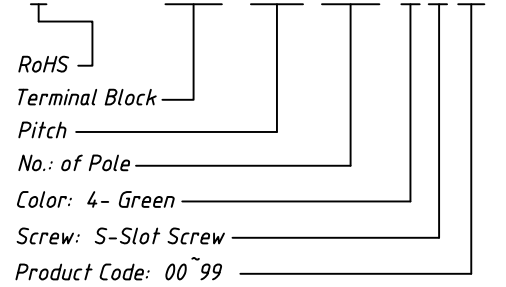
Material
 Housing: PA66, UL94V-0
 Clamp: Brass, Ni plated
 Pin Header: Brass, Tin plated
 Screw: M3.0, steel Zinc plated

Electrical
 Rated voltage: 300V
 Rated current: 20A
 Contact Resistance: 20 mΩ
 Insulation resistance: 500MΩ/DC500V
 Withstand voltage: AC2000V / 1 min
 Wire Range: 26~12AWG 2.5mm²

Mechanical
 Temp. Range: -40 °C ~ +105 °C
 Strip length: 6~7mm
 Torque: 0.5Nm (4.5Lb.in)

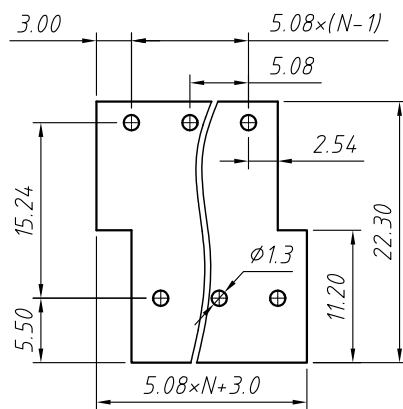
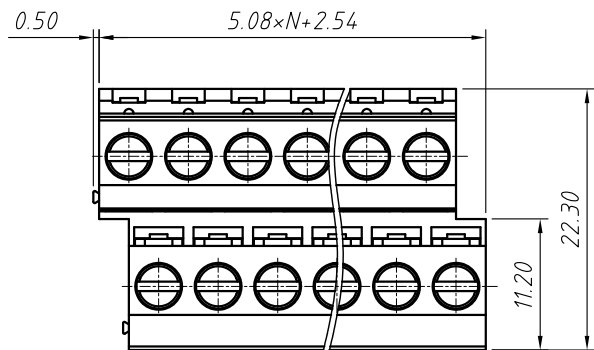
Order Information

L-KLS2-130A-5.00-XXP-4S00

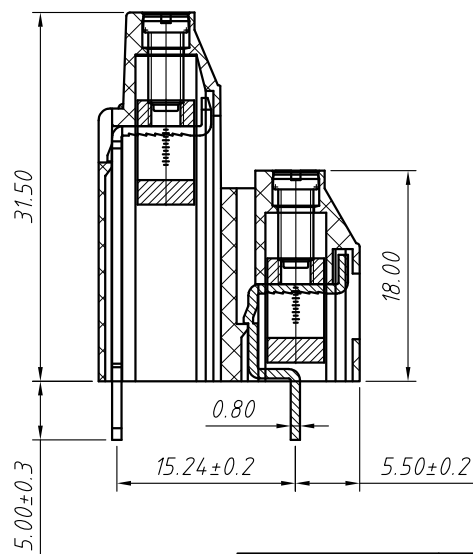
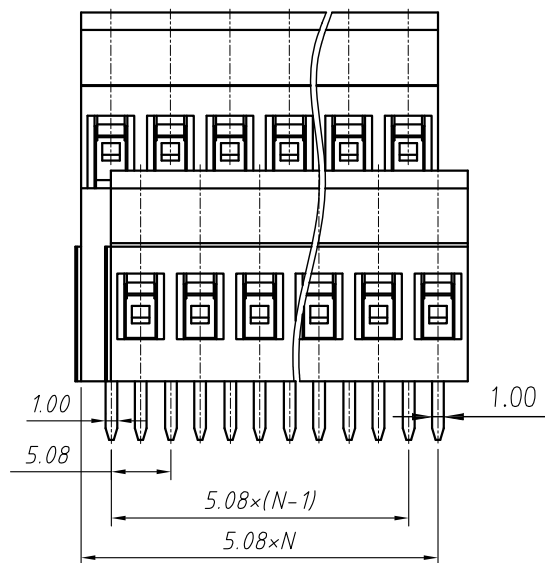


GENERAL TOLERANCE		ANGLE TOLERANCE		Description:	
X. ±0.60		X. ±5°		Screw CONN TERM Block 5.00mm	
.X ±0.38		.X ±3°		KLS P/N:	KLS2-130A-5.00-XXP-4S
.XX ±0.25		.XX ±2°		Draw by	2015-09-01
Draw by	2015-09-01	PROJECTION		Check by	2015-09-15
Check by	2015-09-15	UNITS	mm	SCALE	
SCALE		SHEET SIZE	A4		

NingBo KLS ELECTRONIC CO.,L TD.



PCB LAYOUT



Material

Housing: PA66, UL94V-0
 Clamp: Brass, Ni plated
 Pin Header: Brass, Tin plated
 Screw: M3.0, steel Zinc plated

Electrical

Rated voltage: 300V
 Rated current: 20A
 Contact Resistance: 20 mΩ
 Insulation resistance: 500MΩ/DC500V
 Withstand voltage: AC2000V / 1 min
 Wire Range: 26~12AWG 2.5mm²

Mechanical

Temp. Range: -40 °C ~ +105 °C
 Strip length: 6~7mm
 Torque: 0.5Nm (4.5Lb.in)

Order Information

L-KLS2-130A-5.08-XXP-4S00

RoHS
 Terminal Block
 Pitch
 No. of Pole
 Color: 4- Green
 Screw: S-Slot Screw
 Product Code: 00~99

GENERAL TOLERANCE		ANGLE TOLERANCE		Description:	
X. ±0.60		X. ±5°		Screw CONN TERM Block 5.08mm	
.X ±0.38		.X ±3°		KLS P/N:	KLS2-130A-5.08-XXP-4S
.XX ±0.25		.XX ±2°			
Draw by	2015-09-01	PROJECTION		NingBo KLS ELECTRONIC CO.,L TD.	
Check by	2015-09-15	UNITS	mm		
SCALE		SHEET SIZE	A4		