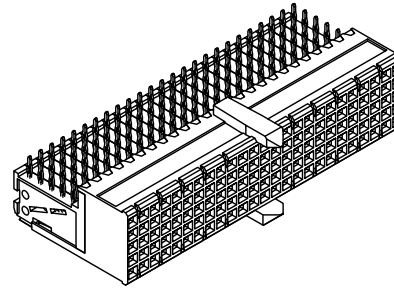
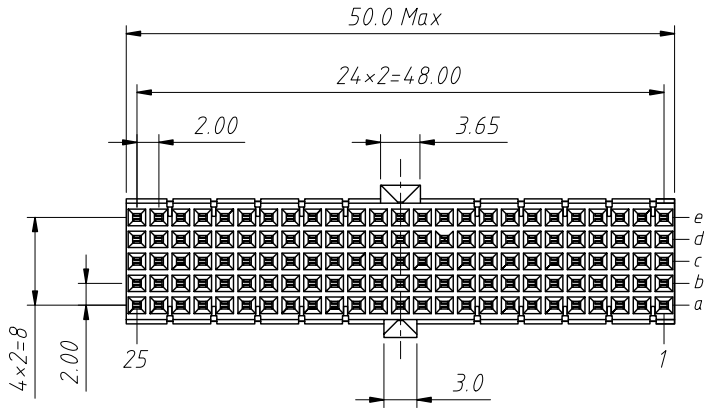
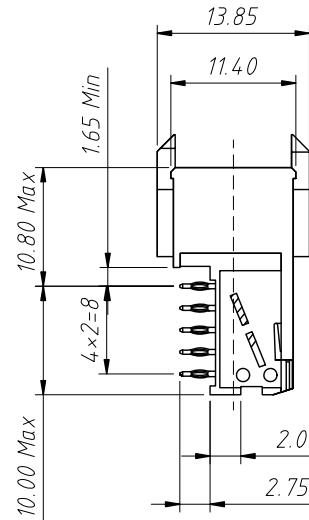
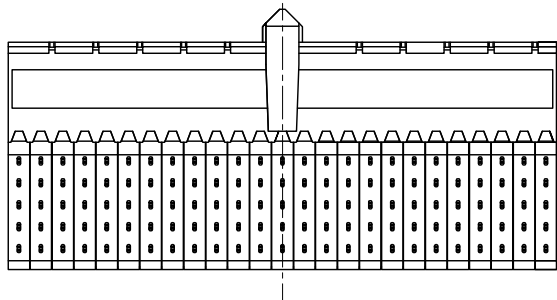


RoHS Compliance



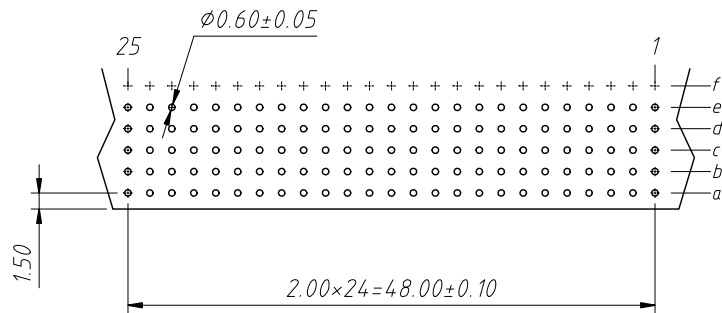
Material:
 Housing: Thermoplastic Polyester Glass Filled, UL 94 V-0
 Contacts: Copper Alloy

Electrical Characteristics:
 Current Rating: 1 AMP.
 Dielectric Withstanding Voltage:
 AC 750V For 1 minute
 Insulator Resistance: 10000MΩ min at DC 500V
 Contact Resistance: 20mΩ max. at DC 100mA.
 Operating Temperature: -55°C ~ +125°C



Order Information:
L-KLS1-HBC-ABF-125-0-10
 L: RoHS
 Housing D Type
 M=Male F=Female
 No. of 125 Pins
 Shielded:
 0: None Shielded
 1: With Top Body Shielded
 Plating: 10=Au 10u"

None Shielded



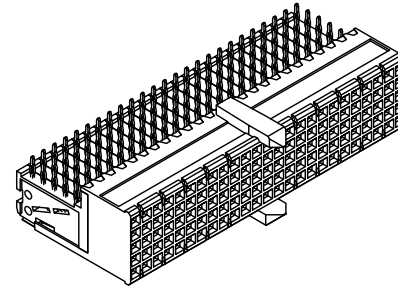
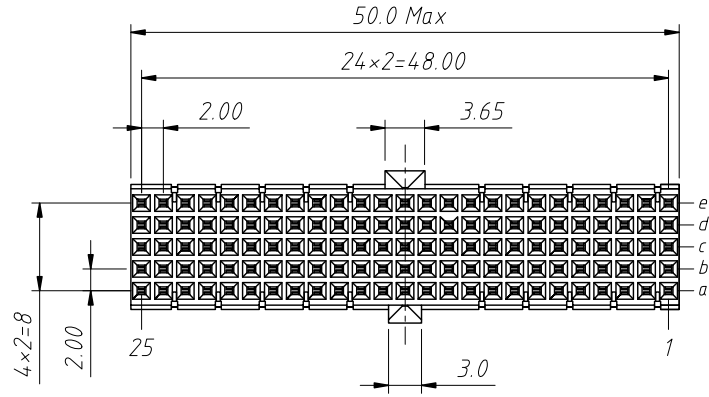
Recommended PCB Layout
 Tolerance: ±0.05mm

ANGLE TOLERANCE	PROJECTION	Description:	2mm Hard Metric Connector
±3°			125 Pos Press-Fit AB25 Female
GENERAL TOLERANCE	UNITS	mm	KLS P/N:
x ±0.5	SHEET SIZE	A4	L-KLS1-HBC-ABF-125-0-10
x.x ±0.25	Draw:	Daniel	2023-05-13
x.xx ±0.15	Check:	Daniel	2023-05-13



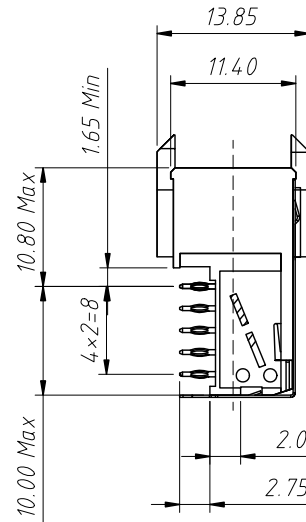
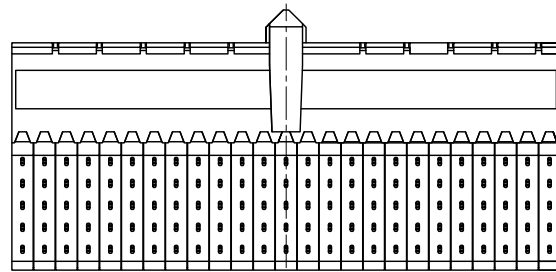
NingBo KLS ELECTRONIC CO.,LTD.

RoHS Compliance



Material:
 Housing: Thermoplastic Polyester Glass Filled, UL 94 V-0
 Contacts: Copper Alloy

Electrical Characteristics:
 Current Rating: 1 AMP.
 Dielectric Withstanding Voltage:
 AC 750V For 1 minute
 Insulator Resistance: 10000M Ω min at DC 500V
 Contact Resistance: 20m Ω max. at DC 100mA.
 Operating Temperature: -55°C ~ +125°C

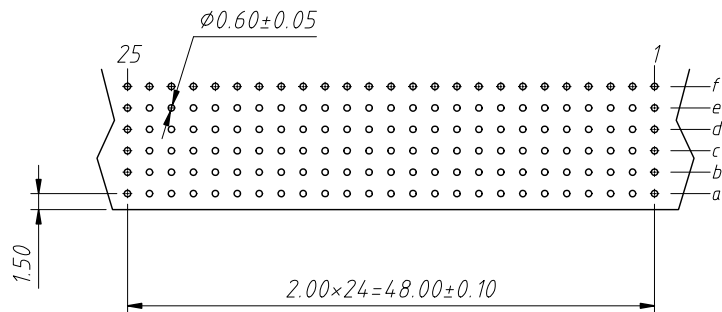


Order Information:

L-KLS1-HBC-ABF-125-1-10

L: RoHS
 Housing D Type
 M=Male F=Female
 No. of 125 Pins
 Shielded:
 0: None Shielded
 1: With Top Body Shielded
 Plating: 10=Au 10u"

With Top Body Shielded



Recommended PCB Layout
 Tolerance: ± 0.05 mm

ANGLE TOLERANCE	PROJECTION	Description:	2mm Hard Metric Connector
$\pm 3^\circ$			125 Pos Press-Fit AB25 Female
GENERAL TOLERANCE	UNITS	mm	KLS P/N:
x ± 0.5	SHEET SIZE	A4	L-KLS1-HBC-ABF-125-1-10
x.x ± 0.25	Draw:	Daniel	2023-05-13
x.xx ± 0.15	Check:	Daniel	2023-05-13



NingBo KLS ELECTRONIC CO.,LTD.